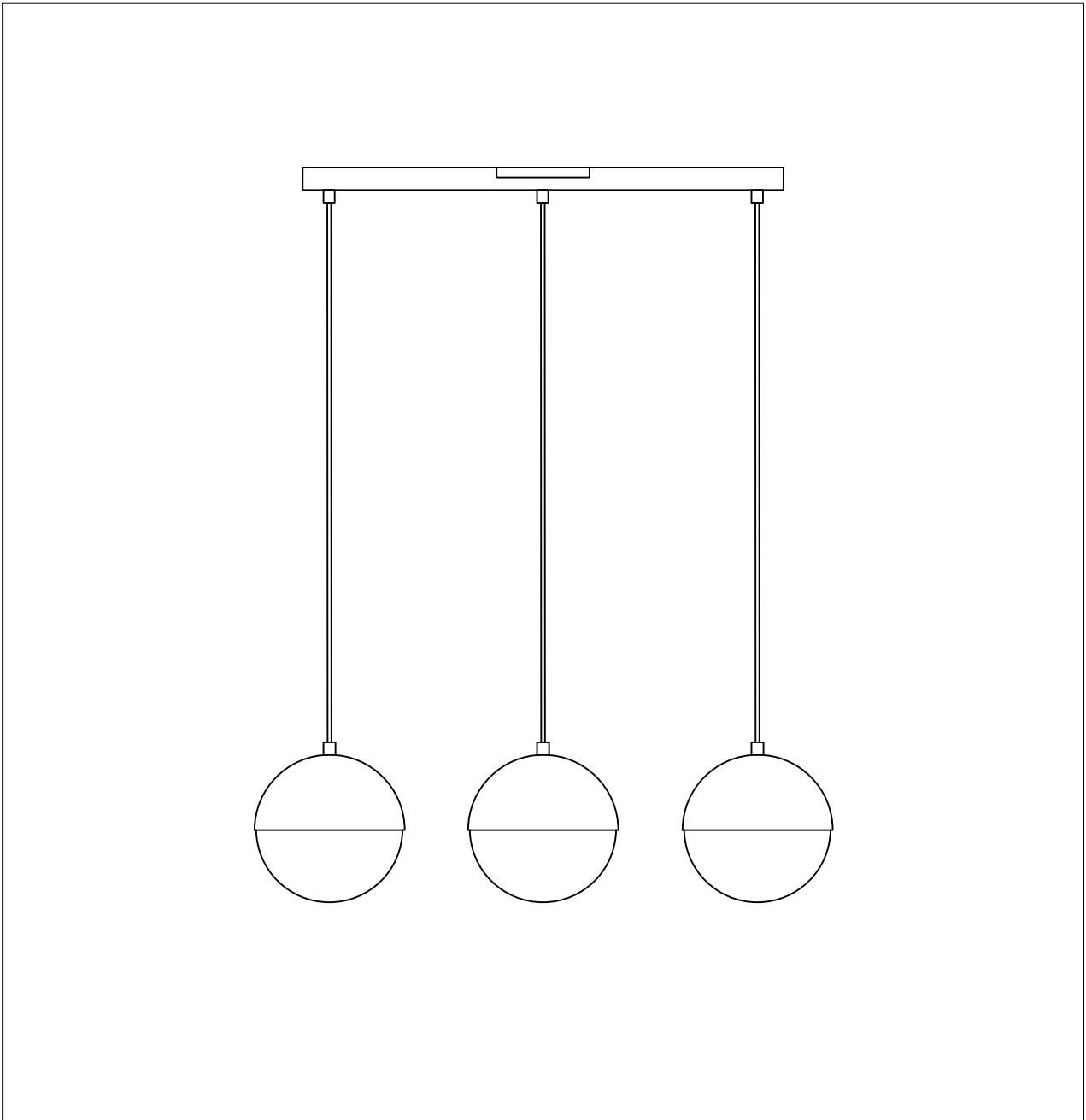


Contemporary Lighting™

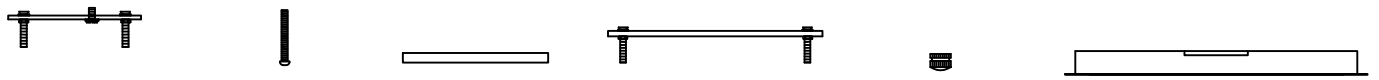
PRODUCT NAME: Half Moon 3LT Pendant
ITEM NUMBER: E20363

Please consult your electrician for hanging fixture and wiring.



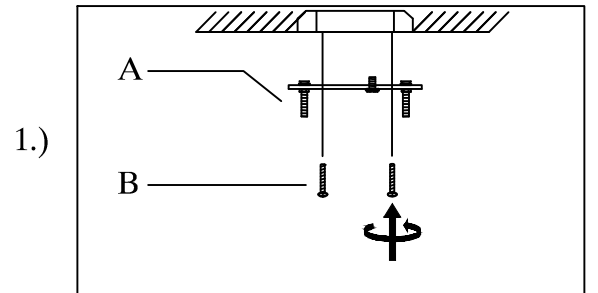
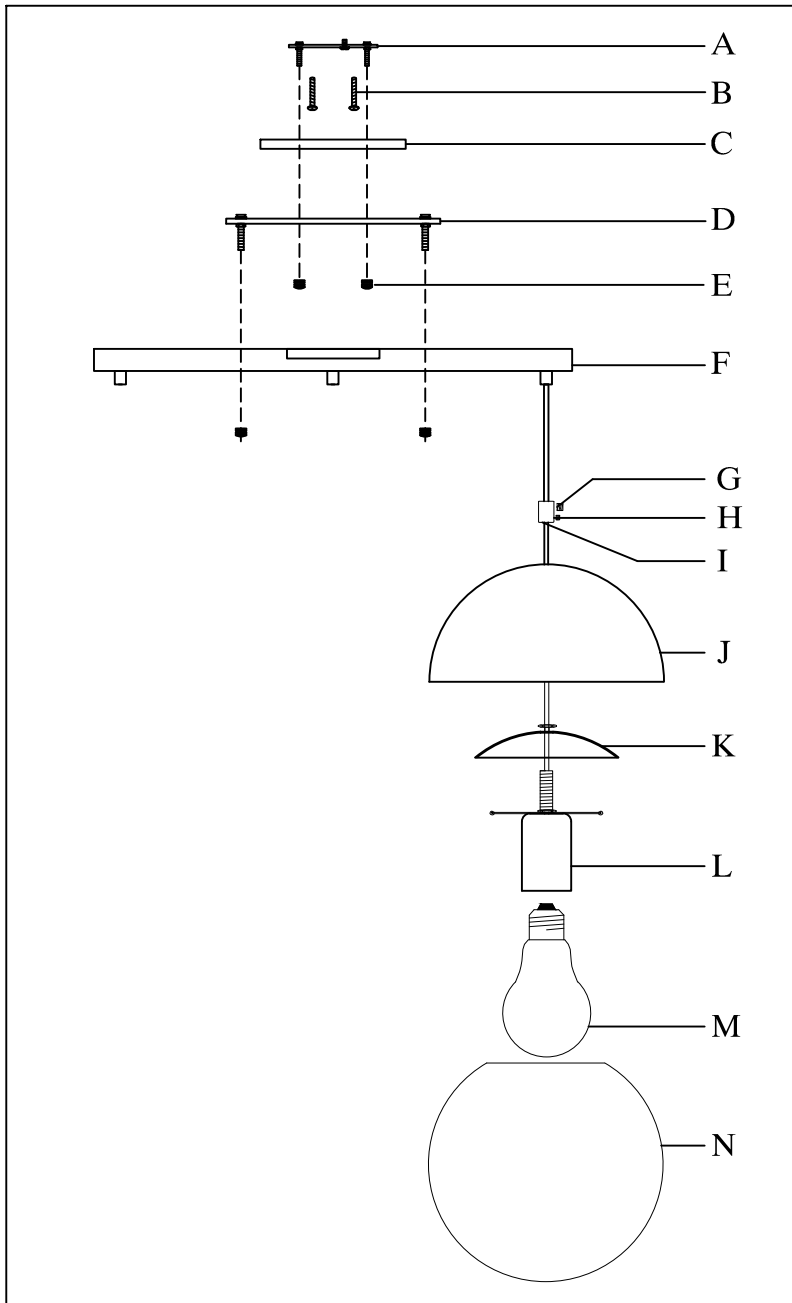
Bulbs (Included):3*E26*9W

IMPORTANT: Turn off the power at the main fuse or circuit breaker box before starting installation

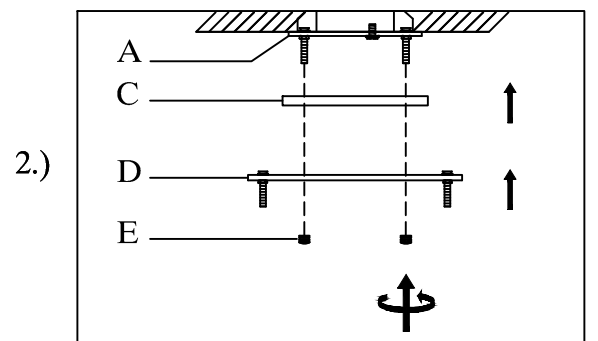


Bracket (A) Mounting Screws(B) Back plate(C) Bracket (D) Decorative Nut(E) Canopy(F)

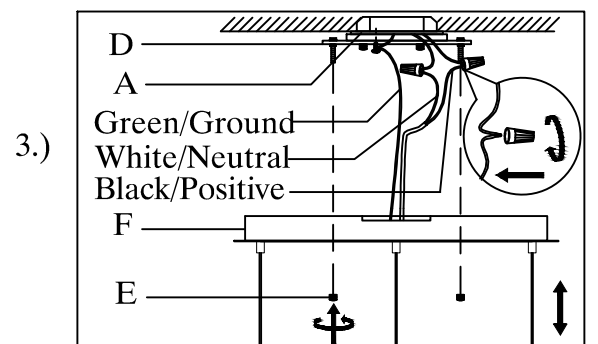
Locate all hardware & components before discarding packaging



1.) Step1 :Remove mounting bracket from fixture and install to electrical box.



2.) Step2 :Install fixture to bracket and Nuts at the ends of the bracket to secure.

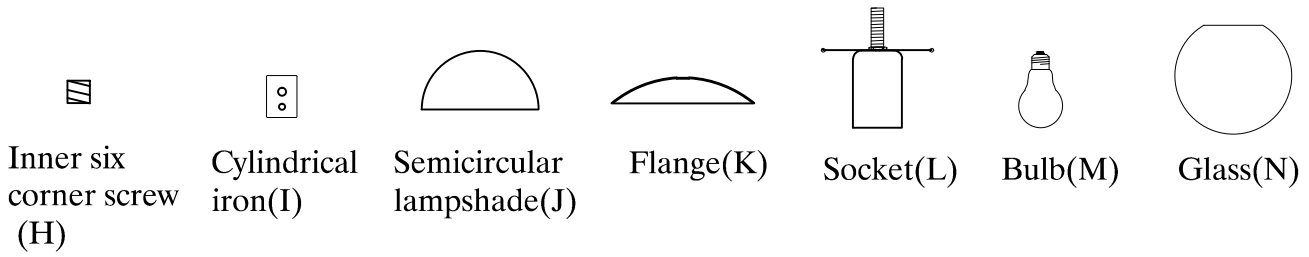


3.) Step3 :Adjust wire length to desired mounting height, and tighten strain relief screws to secure. Wire fixture to wires in outlet box. Green wire is for Ground. Install fixture to canopy by decorative nut(E) on the canopy (F) to bracket (D).

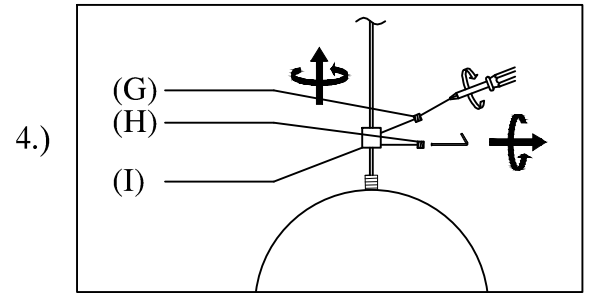
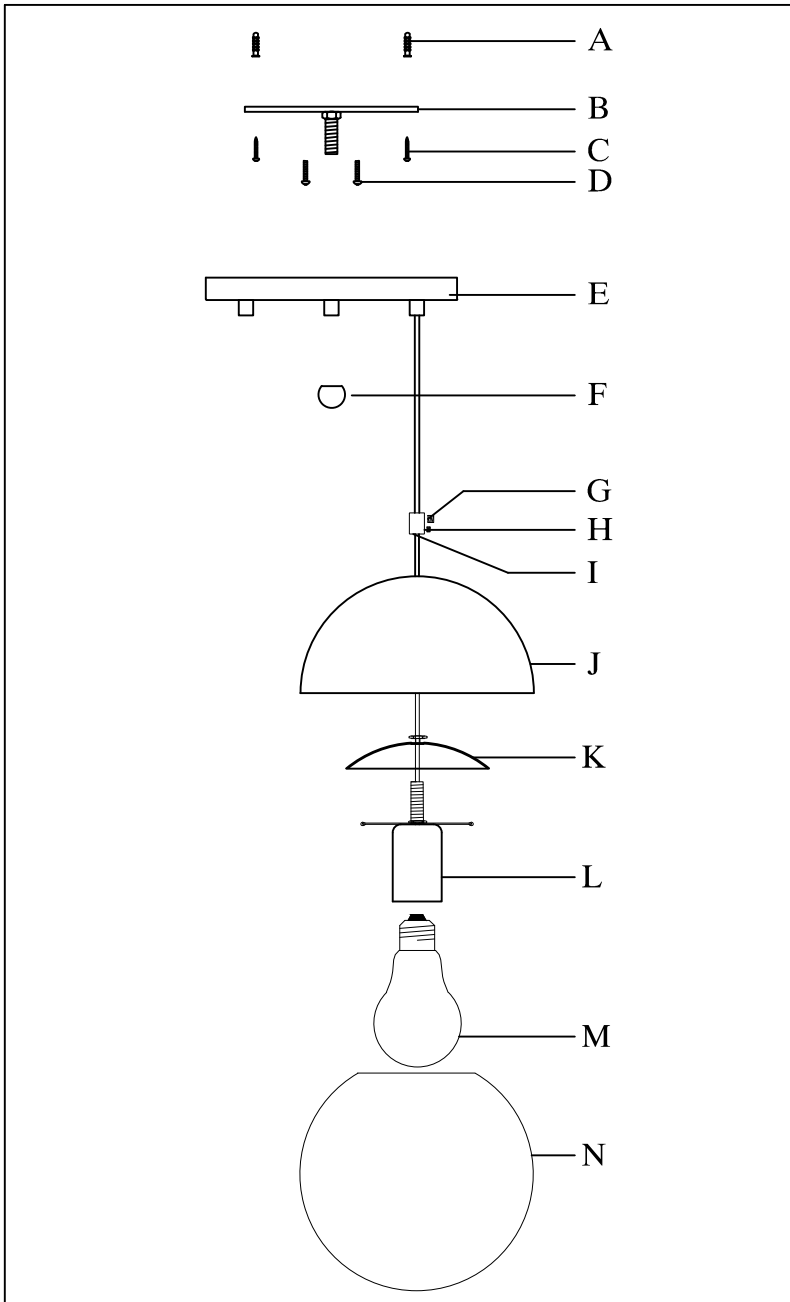
Cleaning & Care:

Clean with soft cloth and a mild detergent.
Do not use abrasive cleaner.

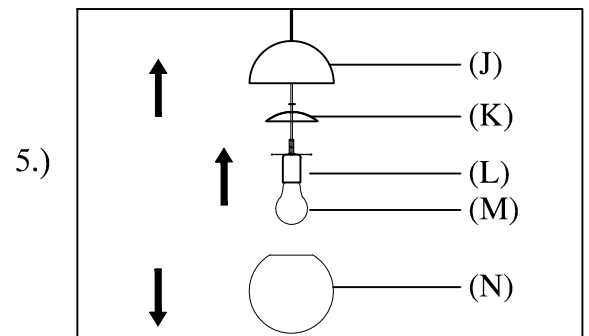
IMPORTANT: Turn off the power at the main fuse or circuit breaker box before starting installation



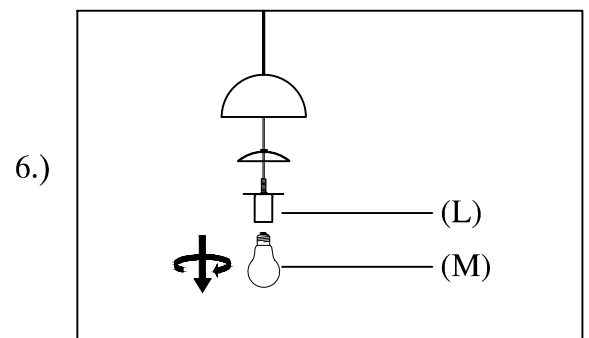
Replace glass and light bulbs - take down



Step4 : Twist the plastic screws(G) with a screwdriver, use the six angle wrench to loosen the inner six corner screws(H), and twist the cylindrical iron(I) parts.



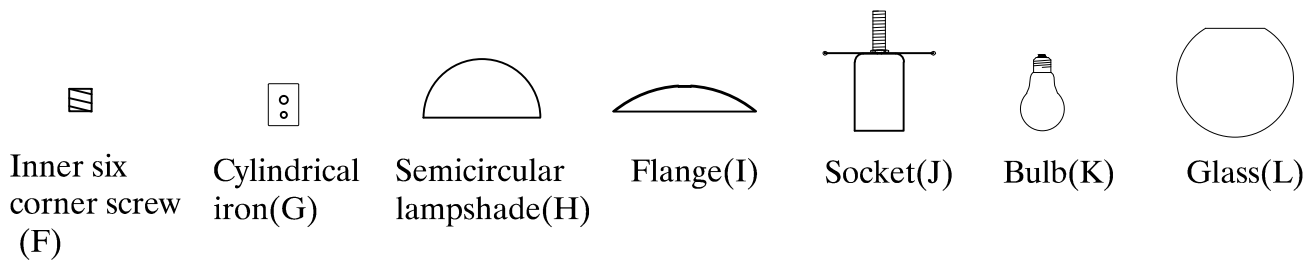
Step5 : Open the semicircle lampshade(J), twist the nut and take out the Flange(K) and the lamp socket(L) and Glass(N).



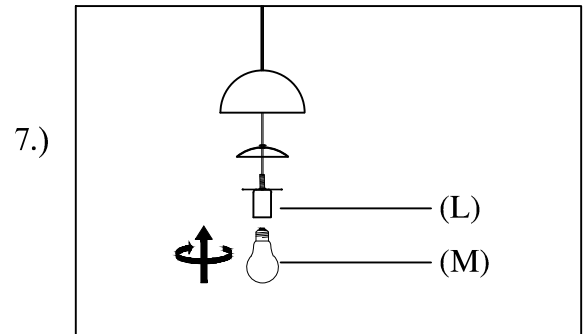
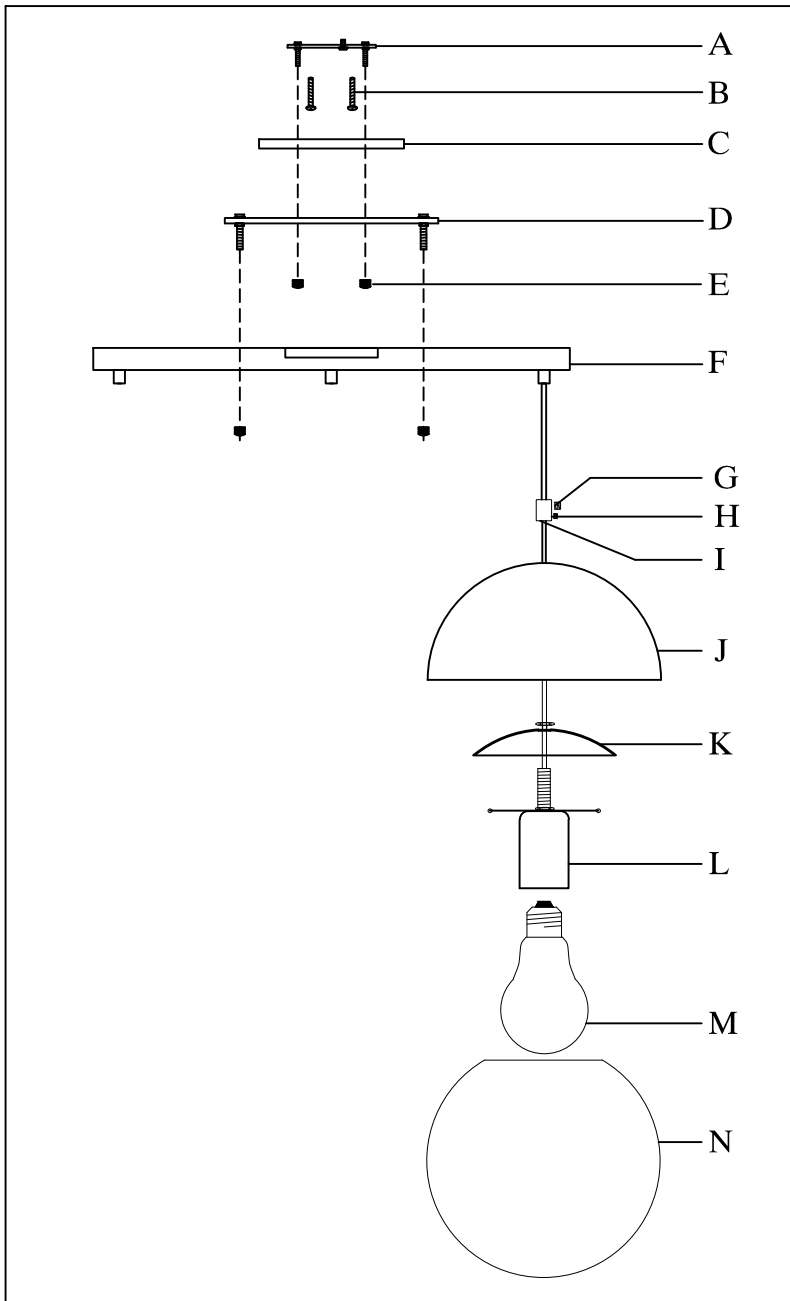
Step6 : Turn the bulb out of the socket.

Cleaning & Care:
Clean with soft cloth and a mild detergent.
Do not use abrasive cleaner.

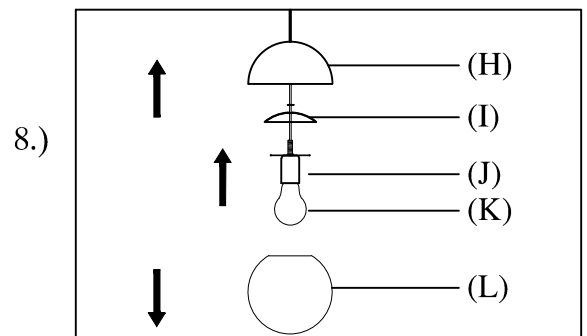
IMPORTANT: Turn off the power at the main fuse or circuit breaker box before starting installation



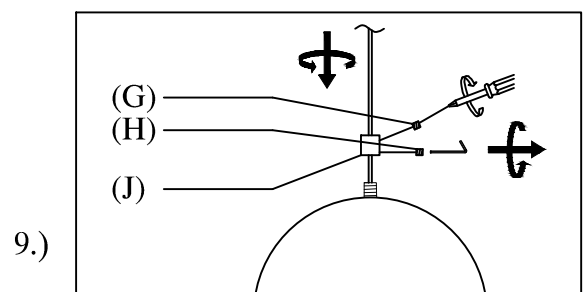
Replace glass and light bulbs - install



Step7 :Twist the new bulb(M) into the lamp socket(L).



Step8 :Tilt the lamp socket(J) into the Glass(L). Place the Glass(L) flat, cover the Flange(I),tighten the nut and cover the upper Semicircular lampshade(H).



Step9 :To tighten cylindrical iron(J) parts, first lock the inner hexagonal screw(H) with an inner hexagonal wrench, and then lock the plastic screw(G) with a screwdriver.

Cleaning & Care:
Clean with soft cloth and a mild detergent.
Do not use abrasive cleaner.