

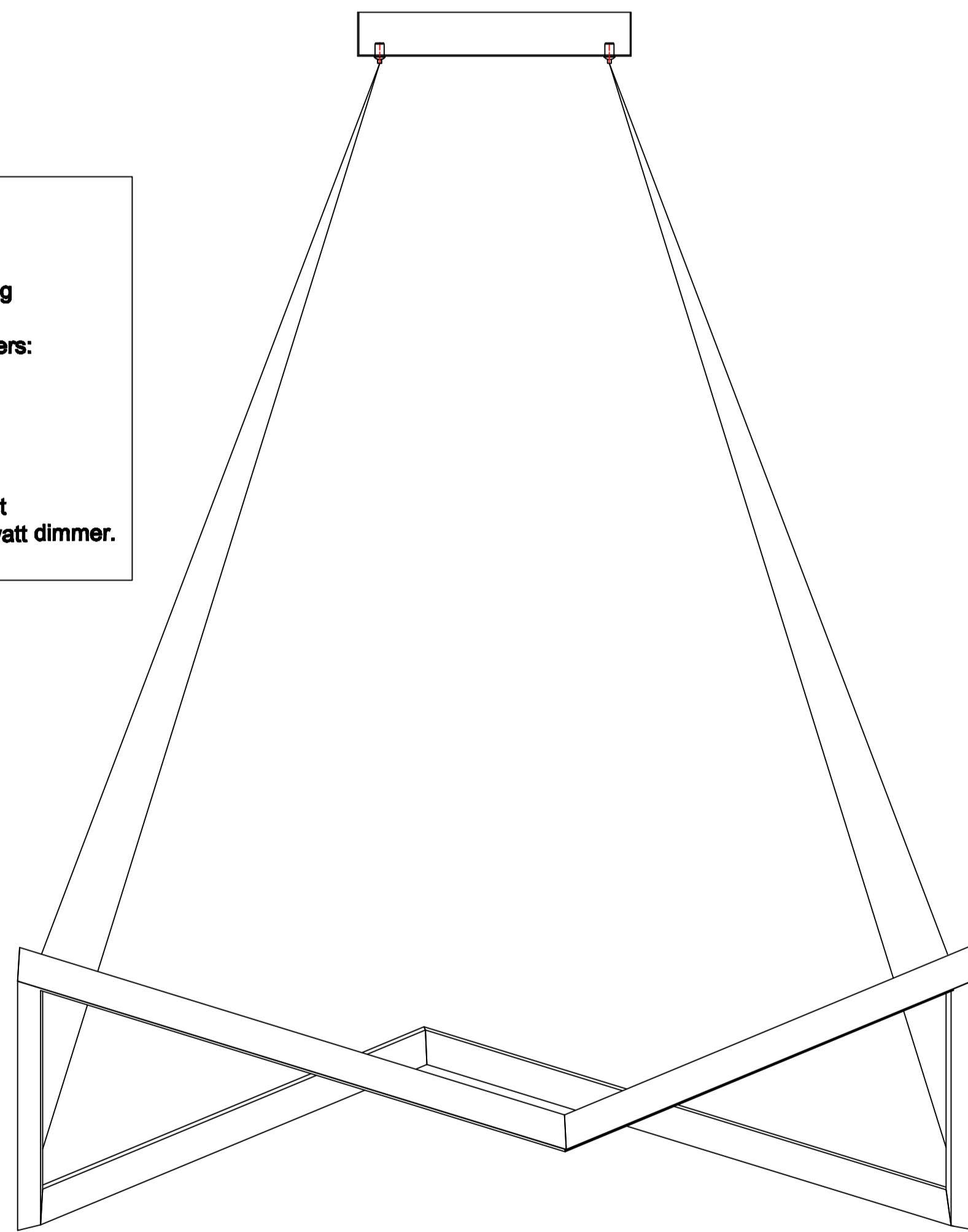
# Contemporary Lighting

PRODUCT NAME: Stealth  
ITEM NUMBER: E30576-BK

Please consult your electrician for hanging fixture and wiring.

### Recommended Dimmers

This fixture is designed to dim with an Electronic Low Voltage dimmer. Dimming levels will vary by dimmer. Below is a List of Recommended Dimmers:  
Lutron DVELV-330P  
Lutron SAELV-153P  
Leviton 6874-POW  
Legrand DRD4  
Legrand RH703PTU  
Due to inrush current wattage should not exceed 150 watts of product for a 600 watt dimmer.



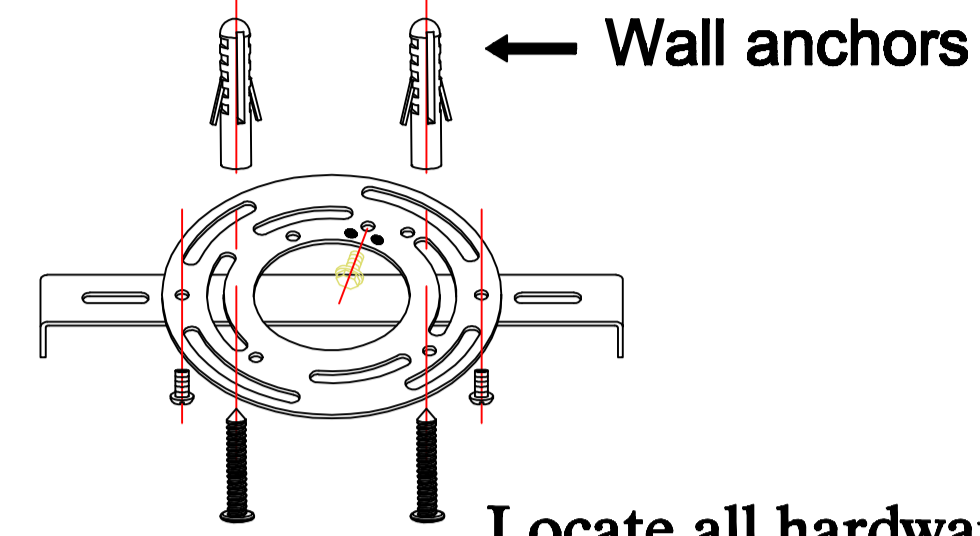
**WARNING:** Wires need to be connected to driver found in canopy and should not be connected directly to power source or a short may occur .

Bulbs ( Integrated): LED 50W

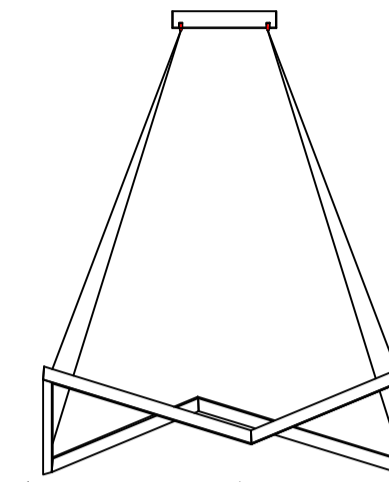
MADE IN CHINA  
Page 1 of (2)

**IMPORTANT:** Turn off the power at the main fuse or circuit breaker box before starting installation

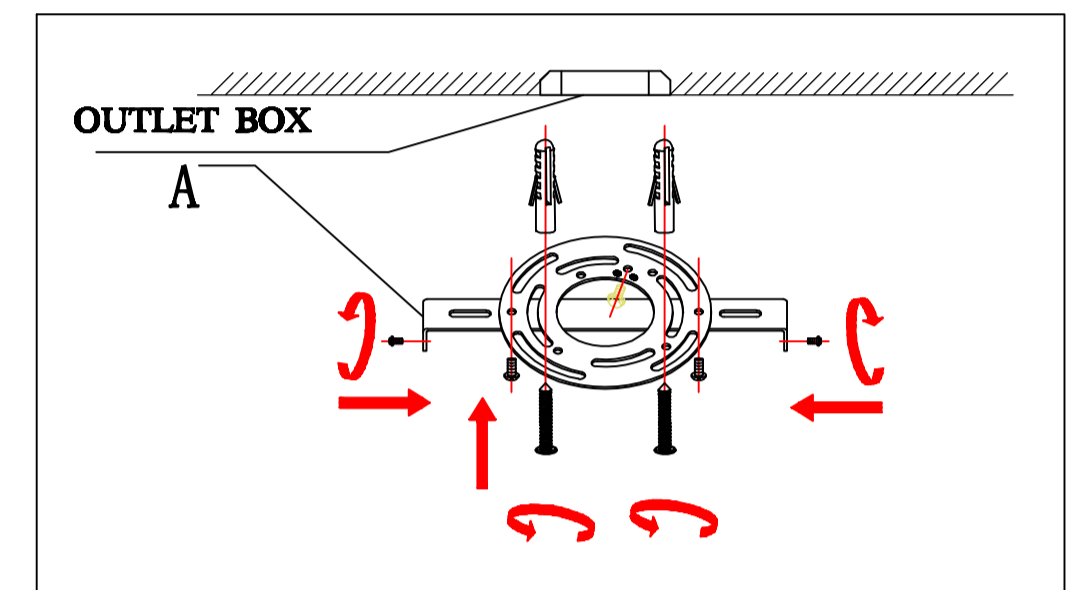
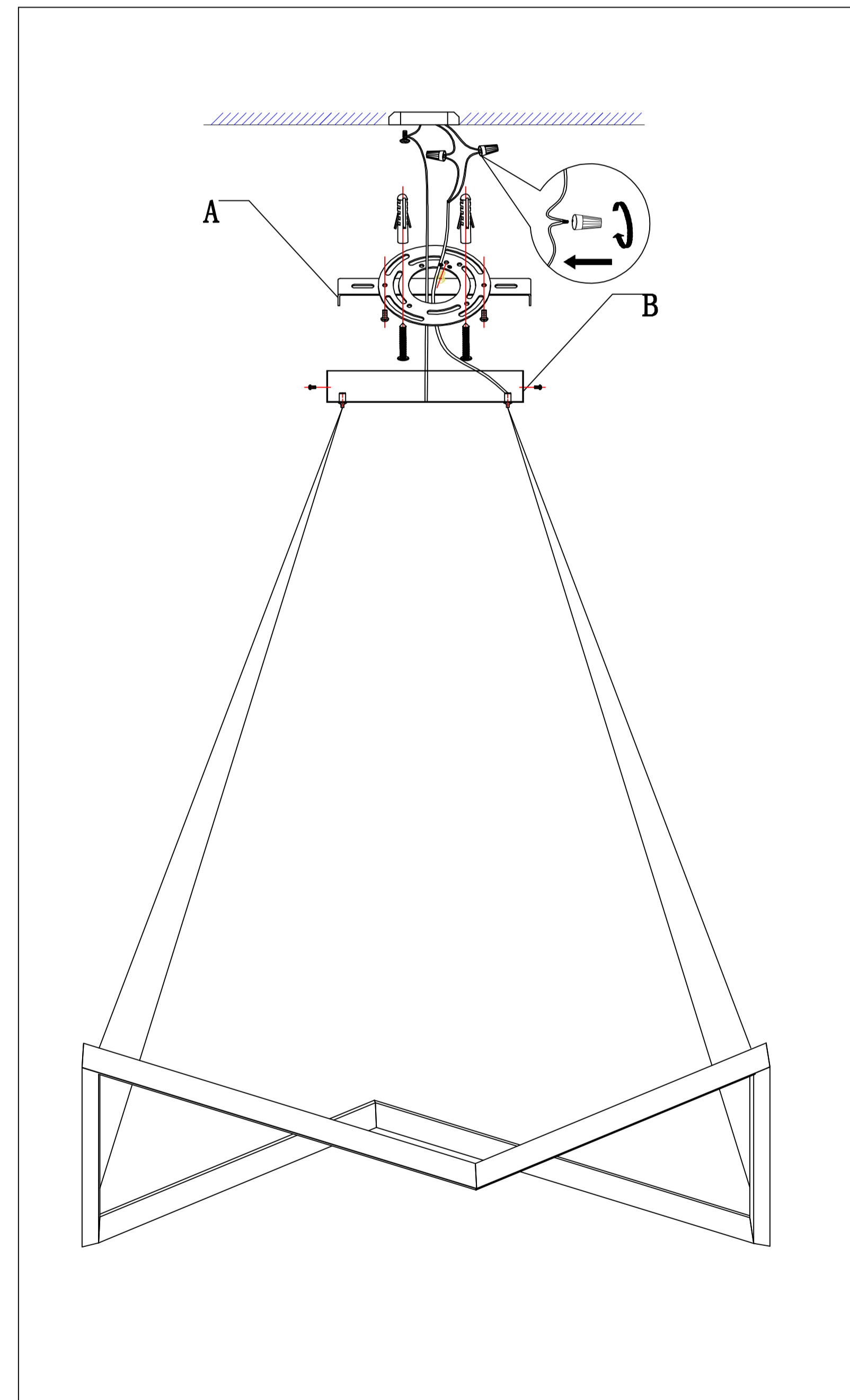
Mounting Bracket (A)



Fixture (B)

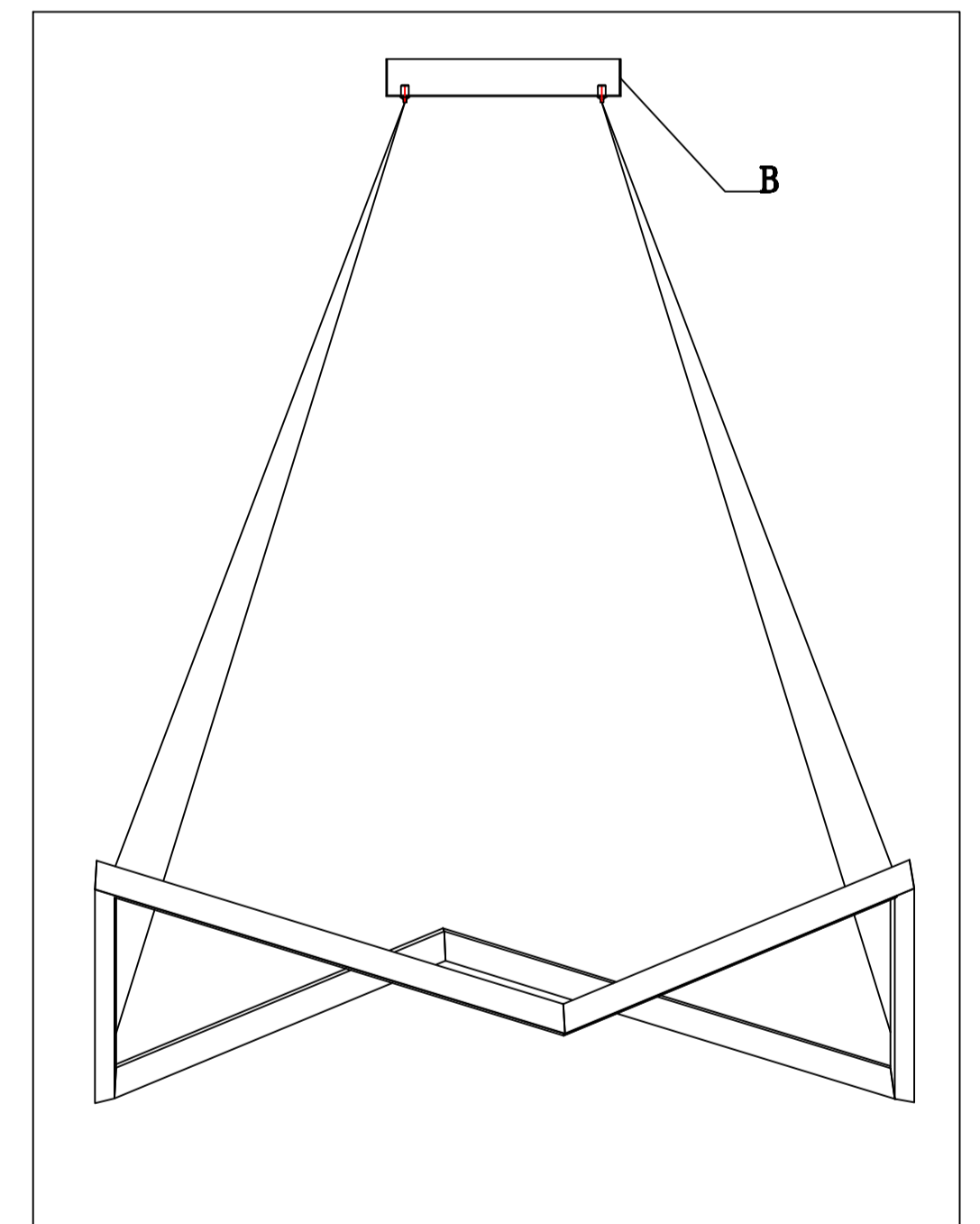


Locate all hardware & components before discarding packaging



1.)

**Step.1:** Remove Mounting Bracket (A) from Canopy to install to electrical box.



2.)

**Step.2:** Adjust wire length to desired mounting height, and tighten strain relief screws to secure. Wire fixture to wires in outlet box. Install fixture to bracket and tighten screws at the ends of the canopy to secure.

**Cleaning & Care:**  
Clean with soft cloth and a mild detergent.  
Do not use abrasive cleaner.

Page 2 of (2)