

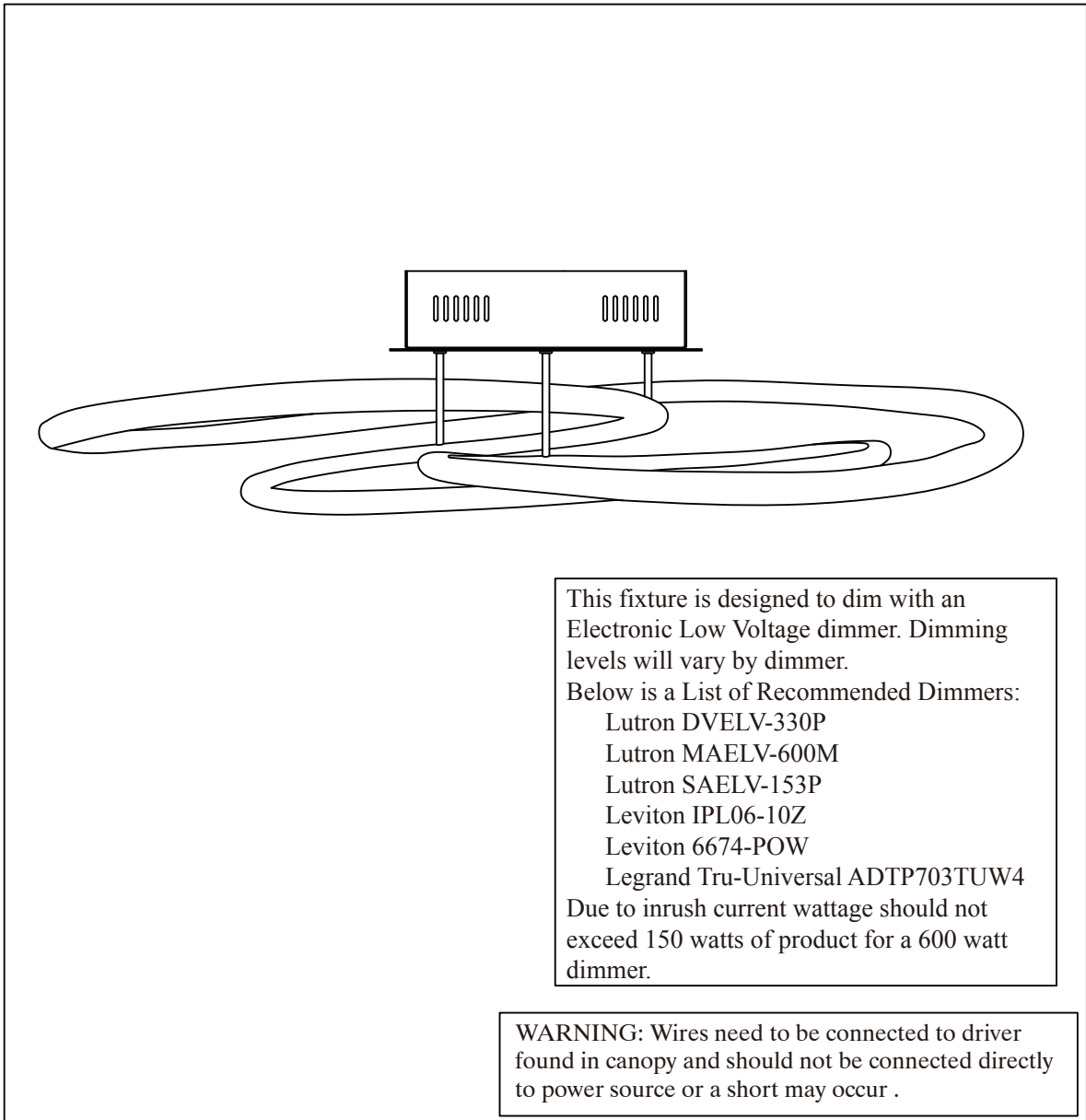


# Contemporary Lighting

PRODUCT NAME : Coaster LED Pendant

ITEM NUMBER: E24134-PC

Please consult your electrician for hanging fixture and wiring.

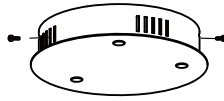


120-277V Input 40W LED

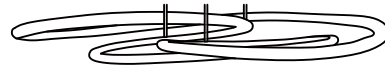
**IMPORTANT:** Turn off the power at the main fuse or circuit breaker box before starting installation



(A)  
Mounting Bracket

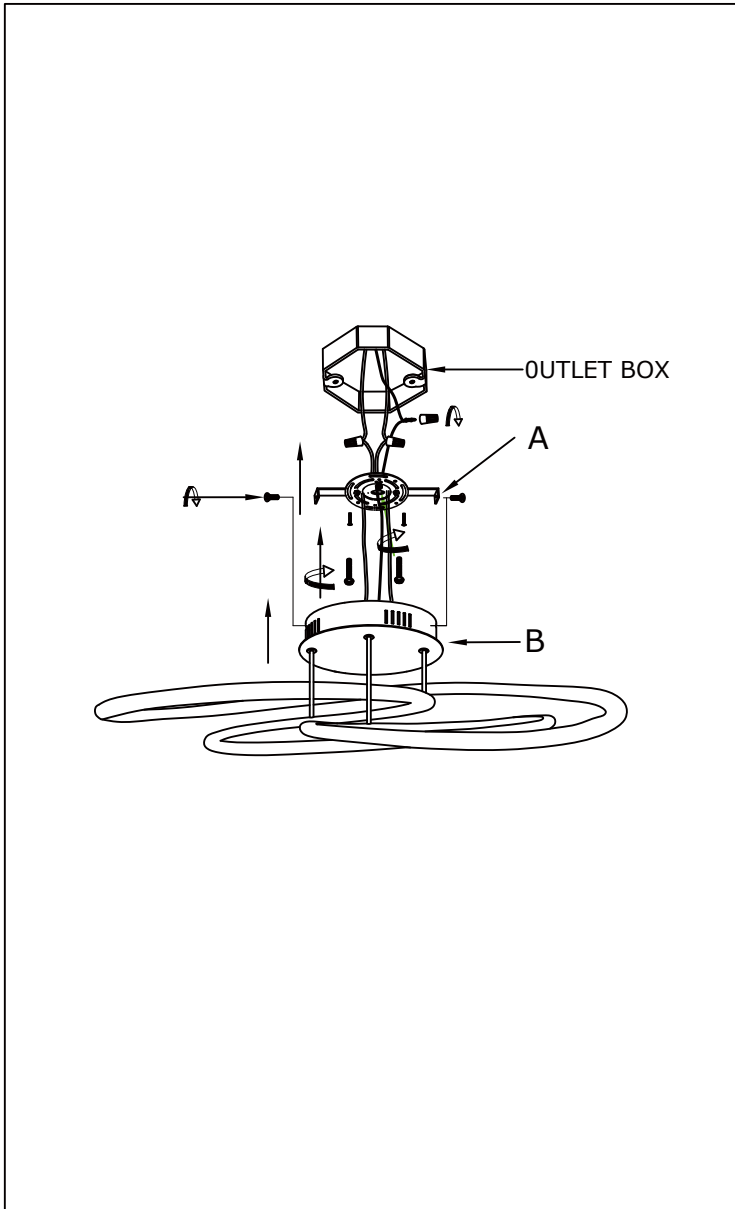


(B)  
Canopy

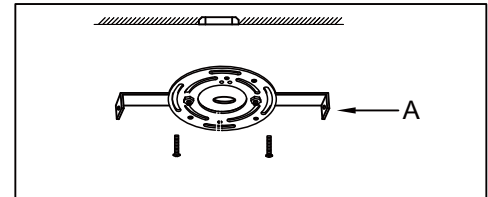


(c)  
Lamp body

Locate all hardware & components before discarding packaging

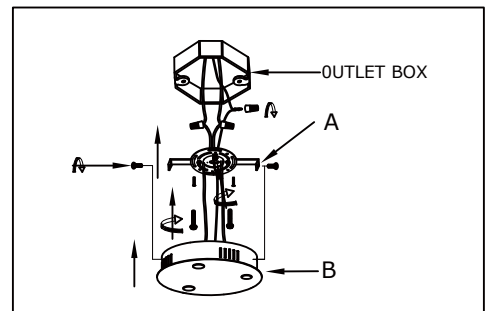


1.)



Step.1: Remove Mounting Bracket (A) from Canopy to install to electrical box.

2.)



Step.2: Wire fixture to wires in outlet box. Bare wire is for Ground. Secure canopy(B) to mounting bracket using screws on the sides of the canopy.

**Cleaning & Care:**  
Clean with soft cloth and a mild detergent.  
Do not use abrasive cleaner.