

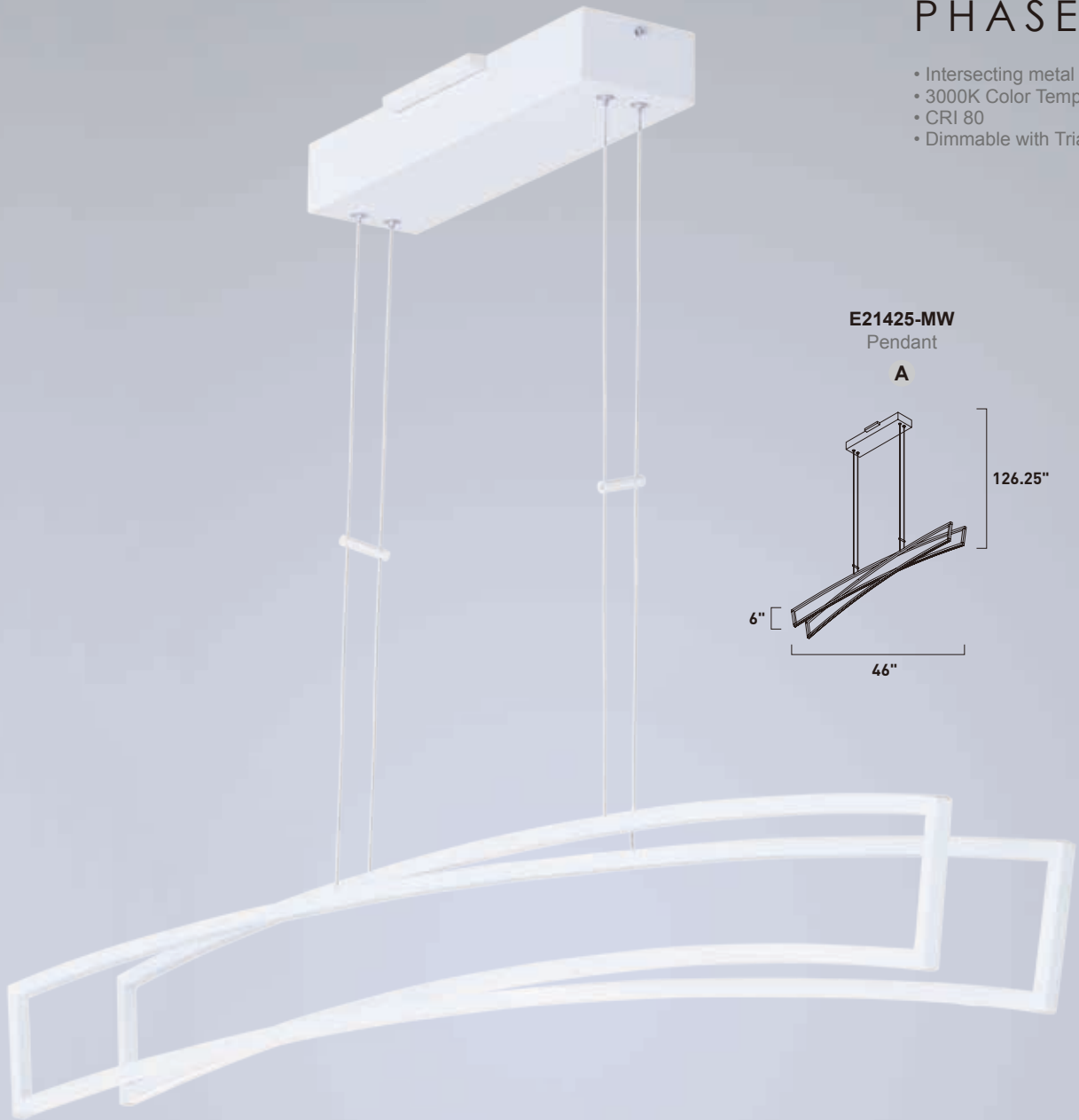


PHASE

Intersecting band create interesting and unique forms finished in Matte White. High power LED makes these designs as functional as they are decorative.

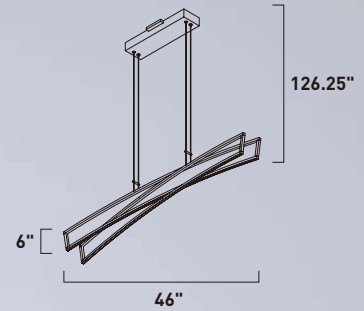
PHASE

- Intersecting metal forms
- 3000K Color Temperature
- CRI 80
- Dimmable with Triac dimmers



E21425-MW
Pendant

A



• Uplight

• Downlight

ITEM #	FINISH	LAMPING	DIMENSION	LUMENS		Additional Information
				CRI	DEL.	
A E21425	MW	68W LED 3000K (Integrated)	46"L x 5"W x 6"H x 126.25"OAH	80	4760	2940  

Finish: Matte White (MW)

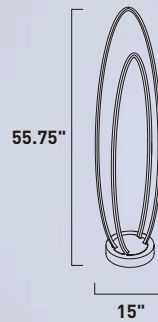
PHASE

- Intersecting metal forms
- 3000K Color Temperature
- CRI 80
- Dimmable with Triac dimmers



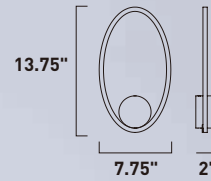
E21428-MW
Floor Lamp

A



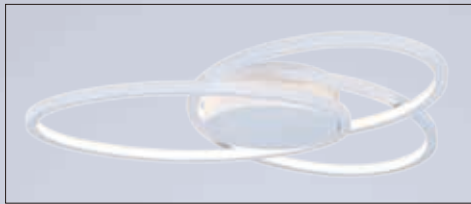
E21420-MW
Wall Sconce

B



	ITEM #	FINISH	LAMPING	DIMENSION	HCO	LUMENS		Additional Information	
						INIT.	DEL.		
A	E21428	MW	53W LED 3000K (Integrated)	15"W x 55.75"H		80	3710	2690	
B	E21420	MW	11W LED 3000K (Integrated)	7.75"W x 13.75"H x 2"Ext.	11.25"	80	770	510	

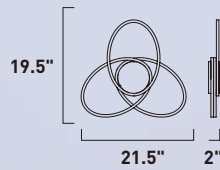
Finish: Matte White (MW)



• Flush Mount Option

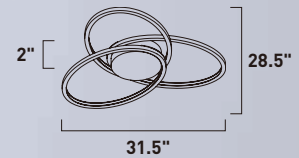
E21422-MW
Wall/Flush Mount

C



E21423-MW
Flush Mount

D



ITEM #	FINISH	LAMPING	DIMENSION	LUMENS			Additional Information		
				HCO	CRI	INIT. DEL.			
C	E21422	MW	48W LED 3000K (Integrated)	21.5"W x 19.5"H x 2"Ext.	9.75"	80	3360	1710	LED
D	E21423	MW	68W LED 3000K (Integrated)	31.5"L x 28.5"W x 2"H		80	4760	2670	LED

Finish: Matte White (MW)