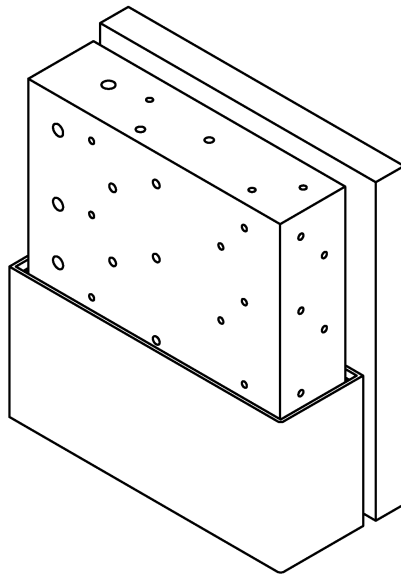




PRODUCT NAME : Fizz III 4" LED Vanity  
ITEM NUMBER: E22755-89PC

Please consult your electrician for hanging fixture and wiring.



This fixture is designed to dim with an Electronic Low Voltage dimmer, (ELV).

Dimming levels will vary by dimmer.

We Recommended using the Lutron DVELV-330P Dimmer

Due to inrush current wattage should not exceed 150 watts of product for a 600 watt dimmer.

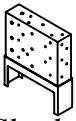
**Bulb(included) 2-PCB LED-3W**

**IMPORTANT:** Turn off the power at the main fuse or circuit breaker box before starting installation

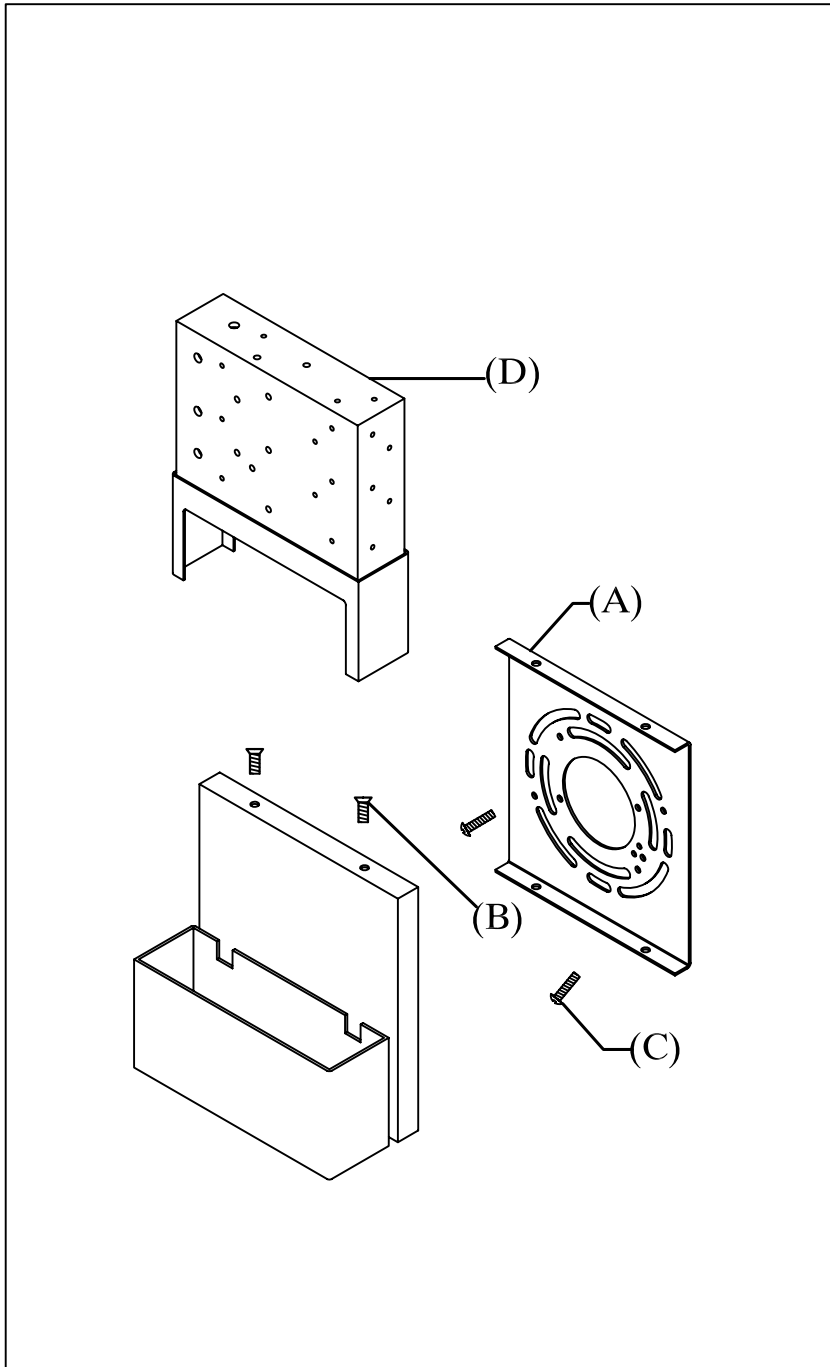
(A)  mounting strap(1pc)

(B)  Screw(4pcs)

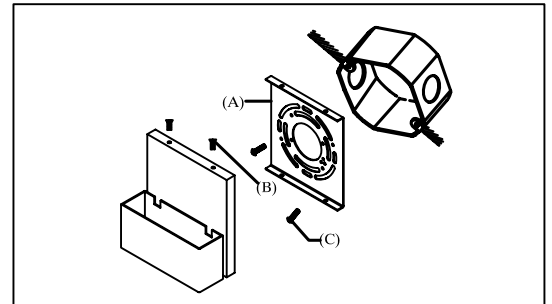
(C)  Screw(2pcs)

(D)  Glass Shade(2pcs)

Locate all hardware & components before discarding packaging

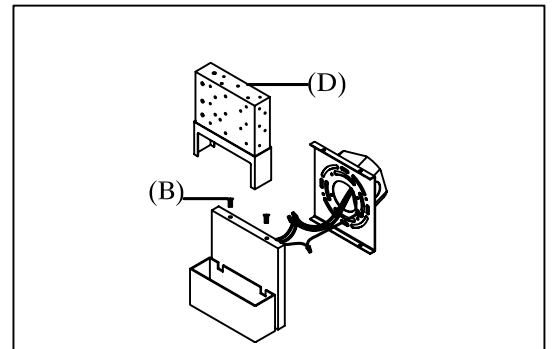


1.)



Step 1: Remove mounting bracket from fixture and install to electrical box.

2.)



Step 2: Then wire fixture to wires in outlet box. Copper wire is for Ground. Install lamp body to mounting bracket using two screws on side.

Put the glass shade(D) on the lamp body and lock it with screws. Fix it to the fixture.

**Cleaning & Care:**  
Clean with soft cloth and a mild detergent.  
Do not use abrasive cleaner.