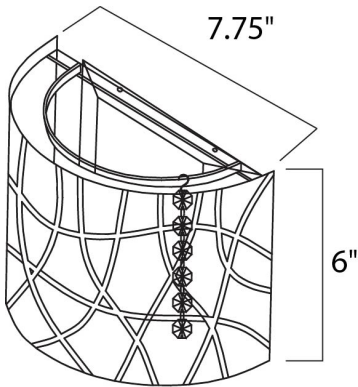




**PRODUCT DESCRIPTION**

Legendary meets contemporary with the Inca Collection. Reminiscent of the mythical tales of Incan treasures, the fixtures offer brilliantly shining crystal enclosed within a precision laser-cut sheath that cannot be duplicated. The glow of the LED light from within casts a beautifully radiant shine that adorns the outer permeable layer.





**MEASUREMENTS**

DIMENSION : 7.75" L x 7.8" W x 5.9" H x 4" Ext  
 MAX OAH : 5.3" W x 7.5" H  
 HANGING WEIGHT : 1.54 lb

**LAMPING**

INPUT VOLTAGE : 120V  
 LUMENS : 550 Rated  
 BULB : 1 x 2.9W LED G9 , 3W Total  
 BULB INCLUDED : (Included)  
 DIMMABLE : Yes  
 CRI : 80+ CRI  
 COLOR\_TEMP : 2700K

**FINISHES OPTION**

-  Bronze
-  Polished Chrome

**GLASS**

Cognac 94

**MATERIAL**

Stainless Steel + Steel

**RATINGS**

cETLus  
 Dry Location  
 ADA



**ADDITIONAL**

INSTALL UP/DOWN: Down  
 OPERATING TEMPERATURE:  
 -20°C (-4°F), 40°C (104°F)

Always consult a qualified electrician before installing any lighting product.



**WESTERN DISTRIBUTION CENTER (HEADQUARTER)**  
 253 NORTH VINELAND AVE | CITY OF INDUSTRY, CA 91746  
**EASTERN DISTRIBUTION CENTER**  
 4200 SHIRLEY DR. | ATLANTA, GA 30336  
 P. 626.956.4200 | F. 626.956.4225 | et2online.com