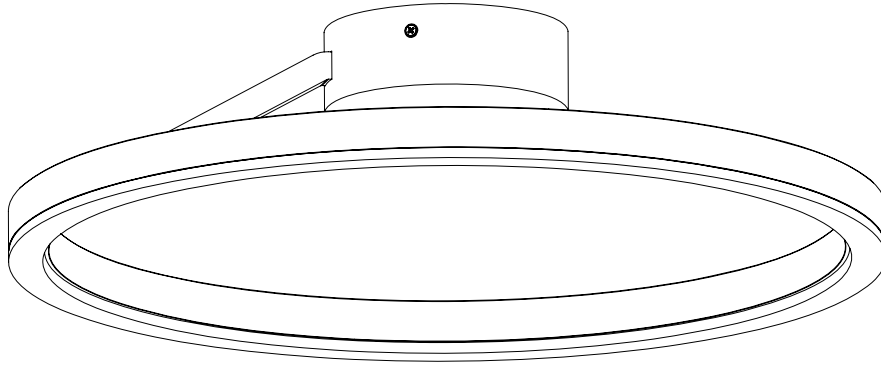


PRODUCT NAME : Cirque LED Pendant
ITEM NUMBER: E22841-MW

Please consult your electrician for hanging fixture and wiring.



WARNING: WIRES NEED TO BE CONNECTED TO DRIVER FOUND IN CANOPY AND SHOULD NOT CONECT DIRECTLY TO POWER SOURCE OR A SHORT MIGHT OCCUR.

The fixture is designed to dim with a standard Triac forward phase dimmer. Dimming levels will vary by dimmer.

Below is a list of recommended dimmers:

Lutron MACL-153M
Lutron DVL-153P
Lutron SCL-153P
Leviton IPL06-10Z
Leviton 6674-POW

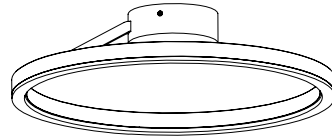
Due to the inrush current wattage should not exceed 150 watts of product for a 600 watt dimmer.

31W LED

IMPORTANT: Turn off the power at the main fuse or circuit breaker box before starting installation

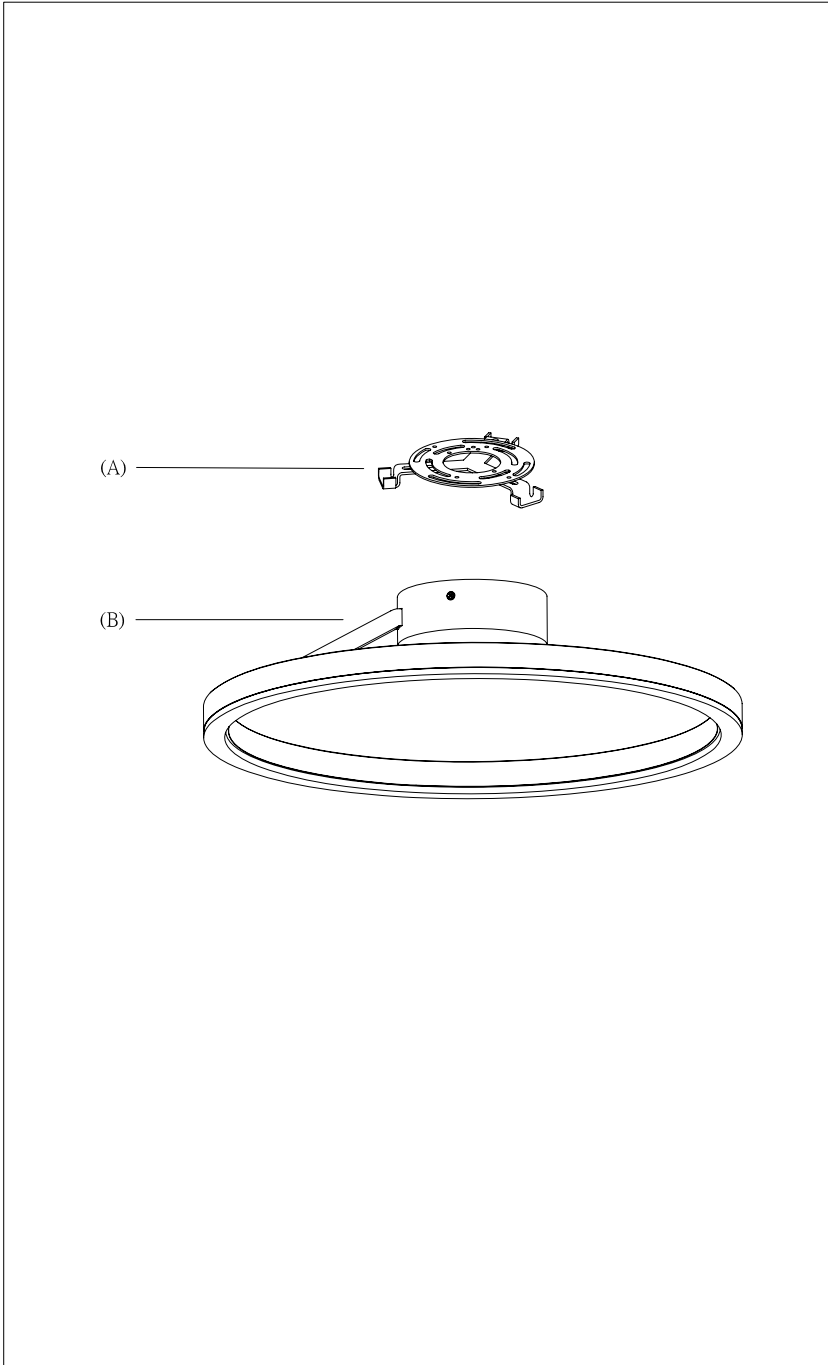


(A)
Mounting Bracket

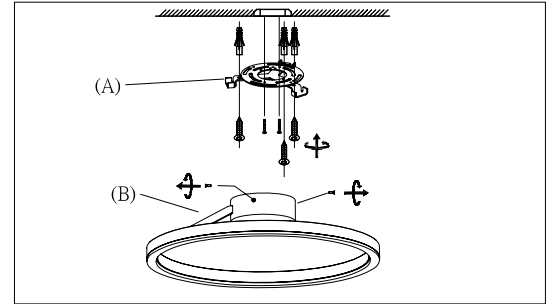


(B)
Canopy

Locate all hardware & components before discarding packaging

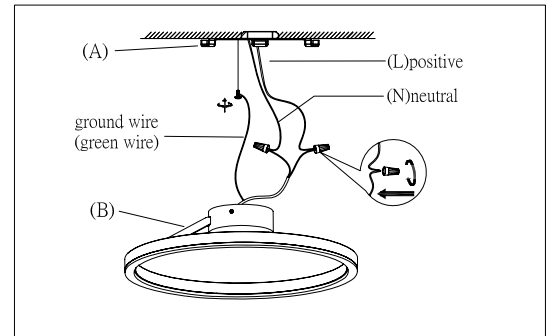


1.)



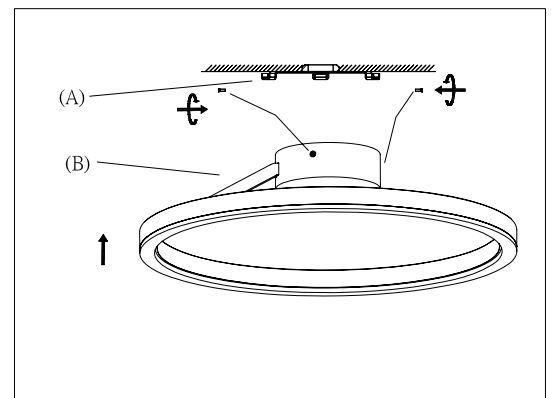
Step.1: Remove Bracket (A) from fixture and install to electrical box.

2.)



Step.2: Wire fixture to wires in outlet box.
Install Green wire to Ground Screw.

3.)



Step 3: Install Body (B) to Canopy (A) and tighten screws at the ends of the canopy to secure.

Cleaning & Care:

Clean with soft cloth and a mild detergent.
Do not use abrasive cleaner.