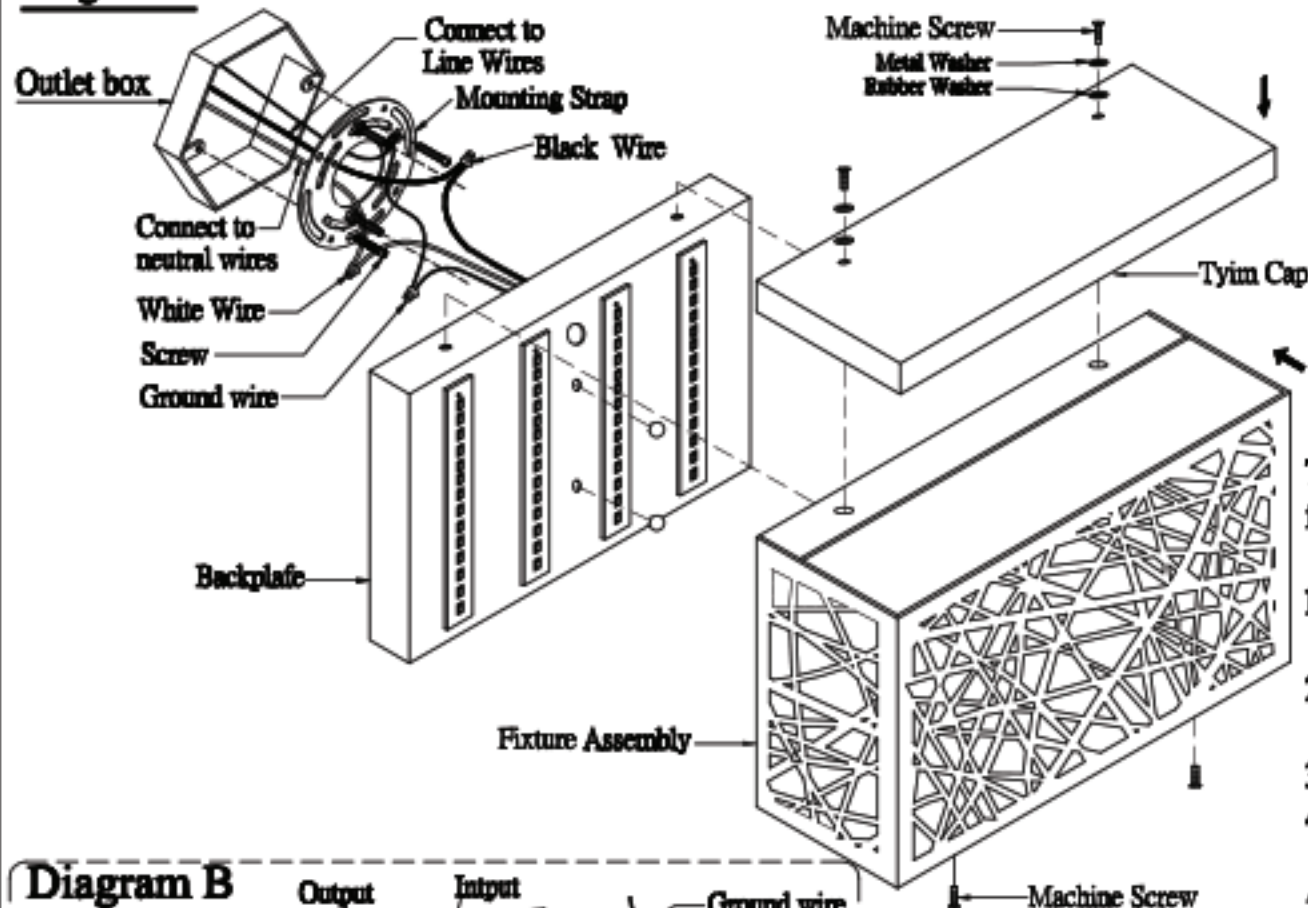


**Diagram A**



Turn off power at breaker for outlet fixtures is being installed to.

1. Install fixture mounting screws into mounting strap
2. Install mounting strap to outlet box with Screw 1
3. Wire Backplate to outlet per diagram B
4. Install Backplate to mounting strap and secure with finials
5. Install Fixture Assembly and Trip Cap to Backplate with machine screws, metal washer and rubber washer on top and bottom.

**Diagram B**

