

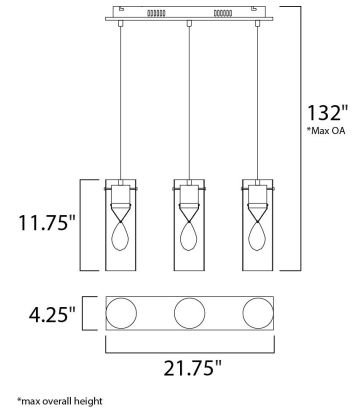


Product Specifications for E21113-18PC

Job Name:	Job Type:
Quantity:	Comments:



**E21113-18PC**  
**Solitaire 3-Light LED Pendant**



**Finish**  
Polished Chrome

**Glass/Shade**  
Clear

**Product Category**  
Multi-Light Pendant

**Lamping**

Number of Bulb(s)	3
Light Type	LED
Bulb Type	COB LED
Max Bulb Wattage	3
Max Fixture Wattage	
Rated Life	N/A
Rated Lumens	±990
Color Temp	N/A
Bulb(s) Included	Yes
Light Up/Down	N/A
Beam Spread	N/A
CRI	N/A
Photo Cell Included	N/A
Ballast/Driver/Transformer	No
Dimmable	N/A

**Measurements**

Width	4.25"
Height	11.75"
Length	21.75"
Extension	N/A
Back Plate Width	N/A
Back Plate Height	N/A
HCO	N/A
Min Overall Height	14.50"
Max Overall Height	132.00"
Hanging Weight	9.24 lb(s)
Height Adjustable	N/A
Slope	N/A
Chain Length	N/A
Wire Length	N/A
Canopy Width	N/A
Canopy Height	N/A
Canopy Length	N/A

**Shipping**

Carton Weight	11.44 lb(s)
Carton Width	10.53"
Carton Height	5.07"
Carton Length	41.34"
Carton Cubic Feet	N/A
Master Pack	1
Master Pack Weight	N/A
Master Pack Width	N/A
Master Pack Height	N/A
Master Pack Length	N/A
Master Cubic Feet	N/A
UPS Shippable	Yes

**Certification**

Safety Rating	DRY
Energy Star	No
CA Title 24	No
CA Title 20	No
ADA	No

**Other**

UPC Code	845094074694
Material	N/A

**Equivalents**

Incandescent Watts	N/A
Fluorescent Watts	N/A

ET2 Contemporary Lighting and all designs, logos and images © 2015 ET2 Contemporary Lighting. All Rights Reserved. ET2 Contemporary Lighting reserves the right, at any time, to make changes in the design and/or construction of the product including the discontinuation of product without prior notice. Color may vary from what is pictured above due to limitations inherent to photographic processes. Always consult a qualified, licensed electrician before installation of any product weighing 35 pounds or more. We recommend that a qualified, licensed electrician do the installation. Always install to a mechanically sound structure.