

Instructions

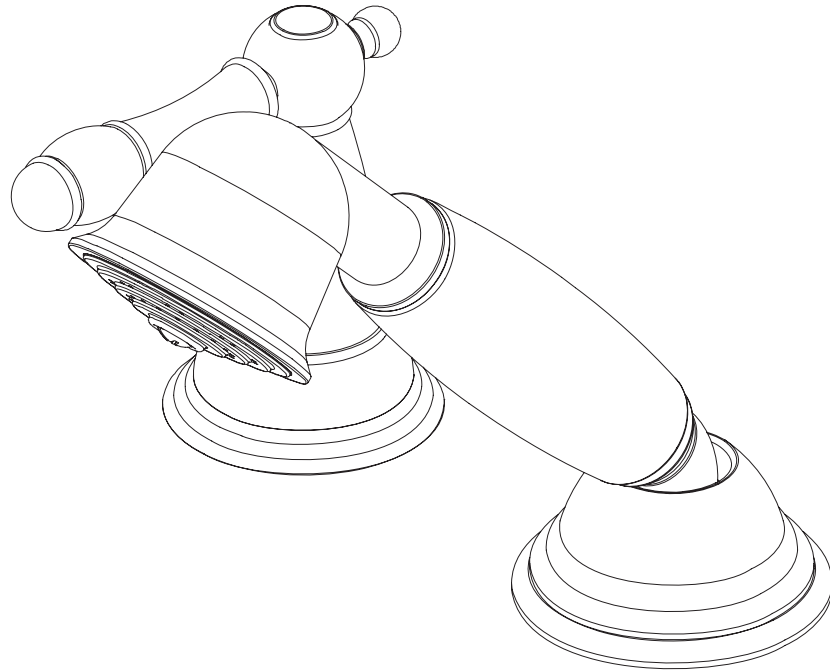
55-81011-CH – Chrome
55-81011-BN – PVD Brushed Nickel



Certifications



Roman Tub Hand Shower with Diverter



*Image may vary slightly from actual product

Tools Required

Adjustable Wrench
Groove Joint Pliers
Pipe Wrench
Phillips Screwdriver
Pipe Tape or pipe thread compound



Safety Tips

If you solder the joints during installation of the faucet, the seats, cartridges, and washers must be removed before using a flame or the warranty will be voided on these parts.

Protect your eyes with safety glasses when cutting or soldering water supply lines.

Cover the sink drain to avoid losing parts.

Things You May Need

Installations may vary depending on how the previous faucet was installed. Supplies necessary for the installation of your faucet are not all included; however, they are available wherever plumbing supplies are sold.

Maintenance

Your new hand held shower and diverter are designed for years of trouble-free performance.

Keep it looking new by cleaning it periodically with a soft cloth. Avoid abrasive cleaners, steel wool, and harsh chemicals as these will dull the finish and void your warranty.

Important Points

Prior to beginning installation, turn off the hot and cold water lines, then turn on the old faucet to release built-up pressure. When installing your new faucet, turn the connector nuts finger tight, then use one wrench to hold the fitting and a second wrench to tighten the nut. Connections that are too tight will reduce the integrity of the system.

Wrap all threaded connections with PTFE pipe tape available at your local hardware or plumbing supply store. Always wrap in a clock-wise direction.

Contact Us

For Customer Service please call 877-319-3757, or go to homeworksww.com.

Instructions

55-81011-CH – Chrome
55-81011-BN – PVD Brushed Nickel



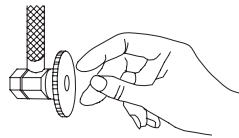
Certifications



Roman Tub Hand Shower with Diverter

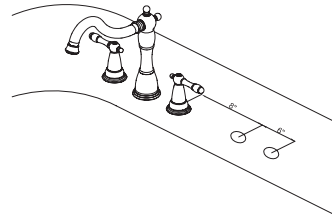
Preparation and Assembly

1



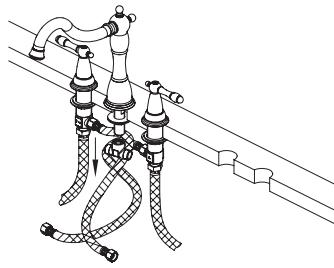
Locate water supply inlet and shut off water supply valve. Remove old faucet. Clean and dry surface area where new faucet will be mounted.

2



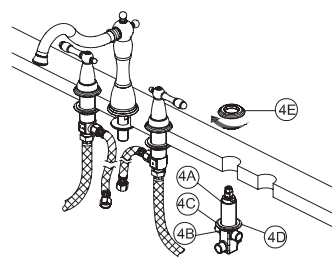
The prepared surface should be as follows:
Diverter: assembly hole 8" on center from valve assembly hole.
Hand held: assembly hole 6" on center from diverter hole.

3



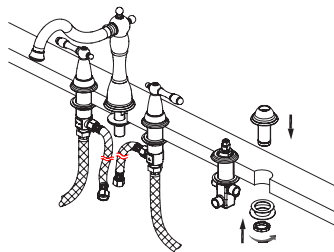
Unscrew the water supply hose from the T-tube. Then remove the T-tube from the bottom of the spout shank.

4



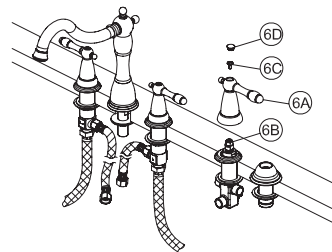
Mount waterway diverter assembly.
Place mounting nut (4B), metal washer (4C) and rubber washer (4D) onto waterway diverter (4A). From underneath the tub, insert waterway diverter (4A) through holes on the side. From above, thread the seat (4E) onto waterway diverter (4A). Tighten mounting nut (4B), so that the seat sits flush on the surface of working area.

5



Mount hand held shower support assembly.

6



Mount handle assembly.
Place handle (6A) onto valve stem (6B). Place screw (6C) through the socket on the top of handle and thread until the handle is securely tightened. Attach decorative button (6D) onto the handle socket as shown.

Instructions

55-81011-CH – Chrome

55-81011-BN – PVD Brushed Nickel



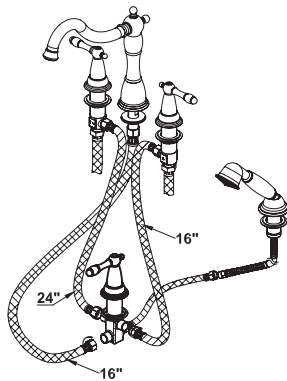
Certifications



Roman Tub Hand Shower with Diverter

Preparation and Assembly cont.

5



From control valves, use the lines to connect to transfer valve. Use third line for connection of spout to transfer valve. Lastly, connect the line to transfer valve. Connect pull-out hose to hand held shower. Insert opposite end of hose through hand shower support. Insert hand held in holder. Connect pull-out hose to line. Tighten connections hand tight until snug. Then use adjustable wrench to tighten with 2-3 rotations. Be careful not to overtighten.

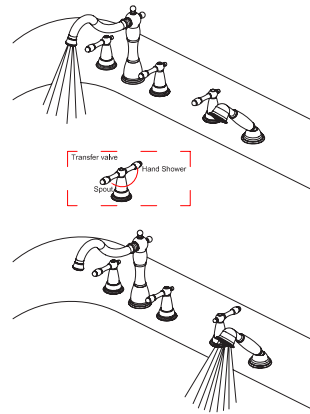
NOTE: Soldering requires removal of all working components to avoid damage.

Troubleshooting

PROBLEM: Water does not flow from hand held when diverter is turned on or improper water pattern.

CAUSE: Diverter may not be correctly assembled or installed and/or debris in line.

6



IMPORTANT: Be sure to allow water to run into tub while checking for leaks. This will allow air to escape that may have developed during installation.

ACTION:

Ensure supply stops have been turned on and water comes out of tub spout when handles are turned on. Check to be sure diverter is correctly assembled and installed.

Remove hand held shower from hose and turn on water to flush debris from line.

Specifications



Physical Characteristics

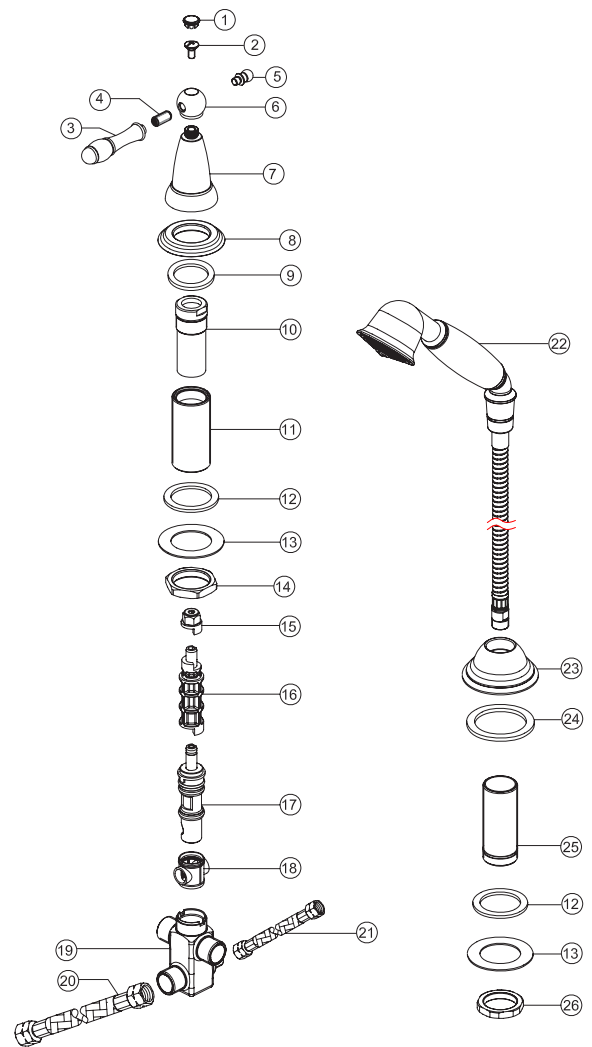
- Description: Roman tub hand held shower and diverter
- Decorative Victorian style handle with porcelain grip
- 5-hole installation
- Meets ASME A112.18.1/CSA B125 requirements
- Total Weight of Item: 1968.57g

Certifications



55-81011-CH – Chrome
55-81011-BN – PVD Brushed Nickel

No.	Part Description	Material
1	Index	Brass C37700
2	Screw	S.S. #304
3	Handle	Zinc alloy EZDA 3#
4	Bolt	Steel Q235A
5	Cap	Brass C37700
6	Ball	Brass C37700
7	Handle seat	Brass C37700
8	Flange	Brass C37700
9	Flange washer	EVA L-30
10	Bonnet	Brass C37700
11	Long shank	Brass C37700
12	Rubber washer	NBR N7008F
13	Washer	Steel Q235A
14	Mounting nut	Steel Q235A
15	Inverter	POM M90
16	Connect	Nylon+ Fiberglass, PA30G
17	Diverter	Brass C37700+POM M90+N7008F
18	Seal washer	NBR N7008F
19	Body	Brass C37700
20	Hose assembly	ABS+Brass+Rubber+S.S
21	Hose assembly	Plastic+Brass+Rubber+S.S
22	Hand shower	Brass+PMMA+Plastic+Rubber
23	Seat	Brass C37700
24	Washer	EVA L-30
25	Tube	Brass C37700
26	Mounting nut	Steel Q235A



Rough-In

55-81011-CH – Chrome

55-81011-BN – PVD Brushed Nickel



Certifications



Roman Tub Hand Shower with Diverter

