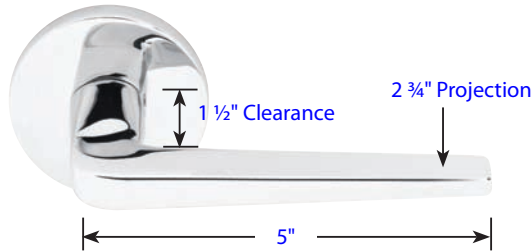
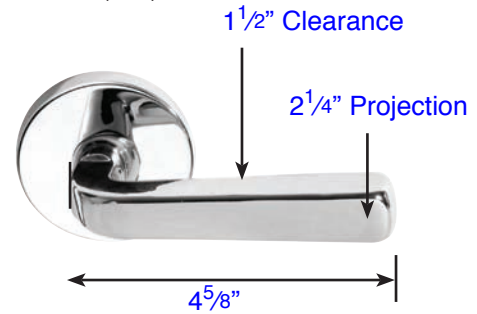


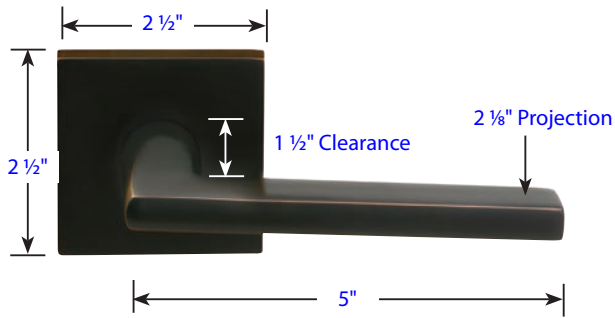
Athena (ATN)



Sion (SIO)



Helios (HLO)



Triton (TRT)

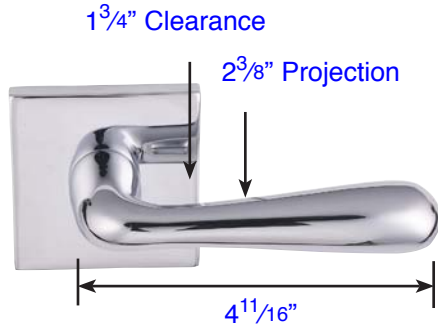


Door Thickness Specifications

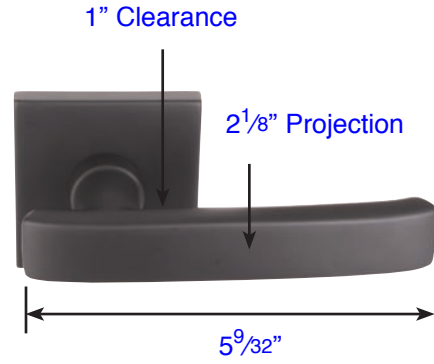
- Standard Door Thickness: 1 1/4" - 2"
- Standard Components:
 - Privacy Pin (for privacy sets)
 - Inside Passage Half Spindle
 - 1 1/2" Rosette Screws
 - Full-Lip Strike Plate

- **Extended** Door Thickness: 2" - 2 1/2"
- Extended Components:
 - Privacy Pin w/ Extension (for privacy sets)
 - Long Inside Passage Half Spindle
 - 2" Rosette Screws
 - Extended Full-Lip Strike Plate

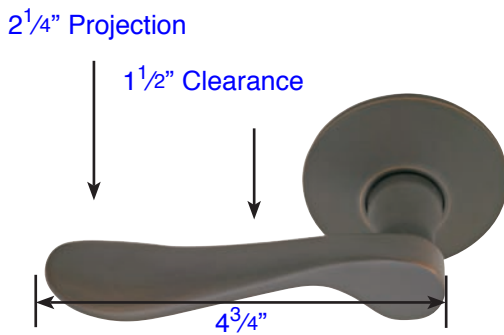
- **Extended** Door Thickness: 2 1/2" - 3"
- Extended Components:
 - Privacy Pin w/ Extension (for privacy sets)
 - Extra Long Inside Passage Half Spindle
 - 2 1/2" Rosette Screws
 - Extended Full-Lip Strike Plate



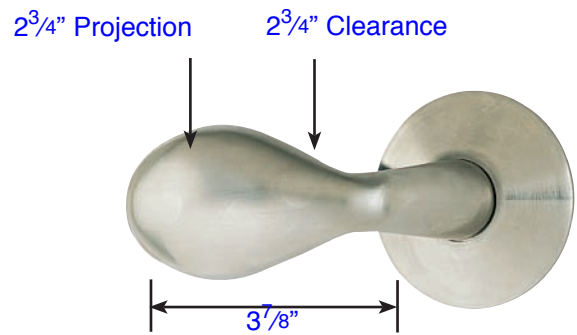
Basel (BA)



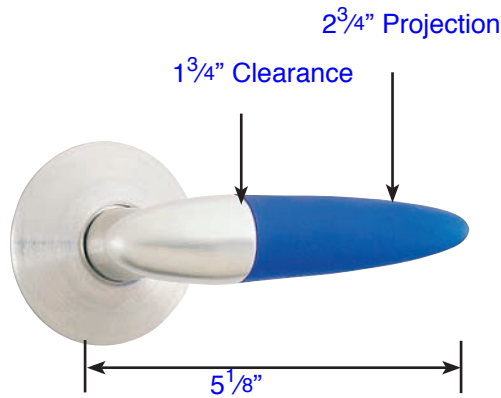
Geneva (GV)



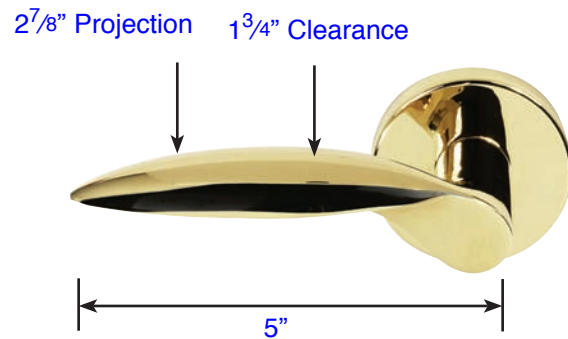
Luzern (LU)



Mode (MD)



Electra Blue (ECB)
Electra Frost (ECF)



Mercury (MC)

Door Thickness Specifications

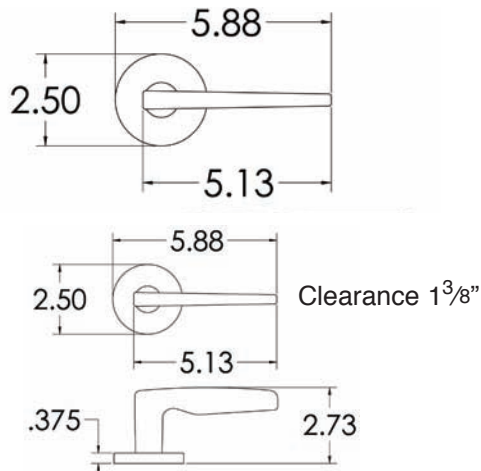
- Standard Door Thickness: 1 1/4" - 2" Standard Components:
- Privacy Pin (for privacy sets)
- Inside Passage Half Spindle
- 1 1/2" Rosette Screws
- Full-Lip Strike Plate

- **Extended** Door Thickness: 2" - 2 1/2" Extended Components:
- Privacy Pin w/ Extension (for privacy sets)
- Long Inside Passage Half Spindle
- 2" Rosette Screws
- Extended Full-Lip Strike Plate

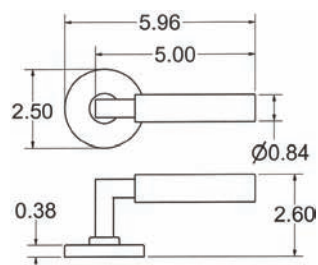
- **Extended** Door Thickness: 2 1/2" - 3" Extended Components:
- Privacy Pin w/ Extension (for privacy sets)
- Extra Long Inside Passage Half Spindle
- 2 1/2" Rosette Screws
- Extended Full-Lip Strike Plate



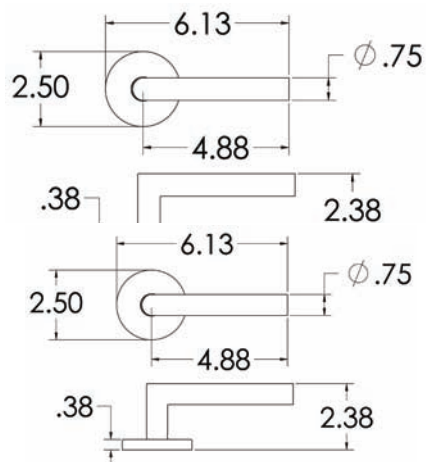
Hermes (HER)



Hercules (HEC)



Stuttgart (STU)



Door Thickness Specifications

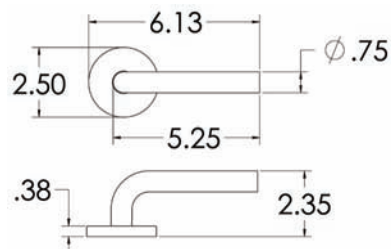
- Standard Door Thickness: 1 1/4" - 2"
- Standard Components:
 - Privacy Pin (for privacy sets)
 - Inside Passage Half Spindle
 - 1 1/2" Rosette Screws
 - Full-Lip Strike Plate

- **Extended** Door Thickness: 2" - 2 1/2"
- Extended Components:
 - Privacy Pin w/ Extension (for privacy sets)
 - Long Inside Passage Half Spindle
 - 2" Rosette Screws
 - Extended Full-Lip Strike Plate

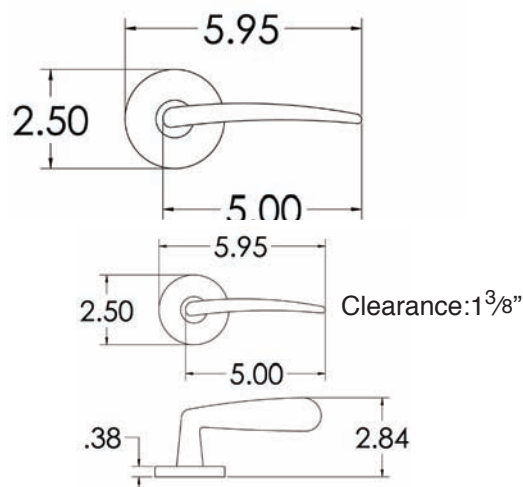
- **Extended** Door Thickness: 2 1/2" - 3"
- Extended Components:
 - Privacy Pin w/ Extension (for privacy sets)
 - Extra Long Inside Passage Half Spindle
 - 2 1/2" Rosette Screws
 - Extended Full-Lip Strike Plate



Kiel (KIE)



Poseidon (POS)

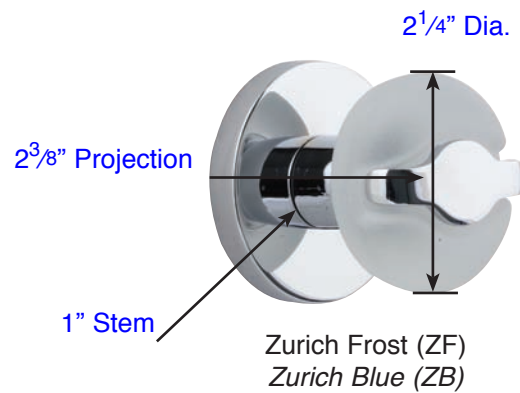
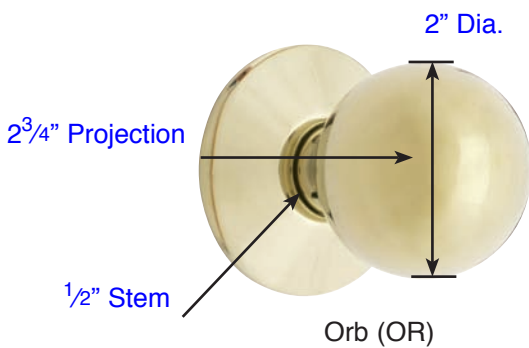
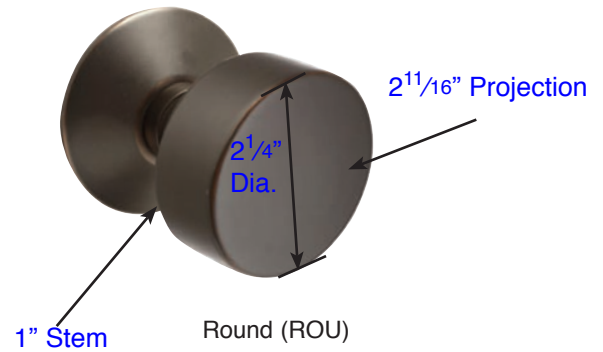
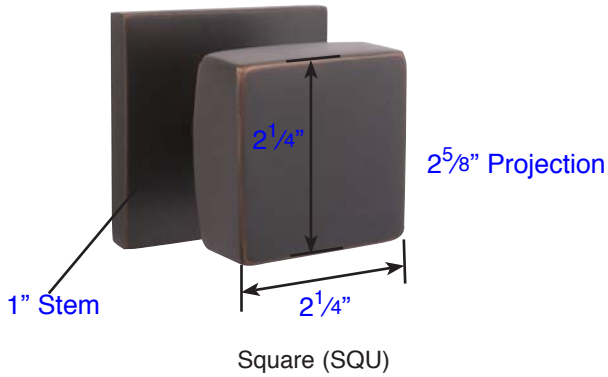
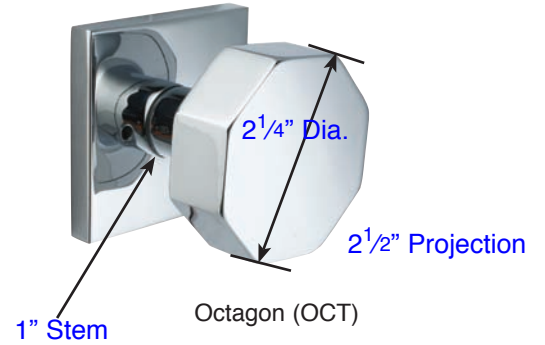
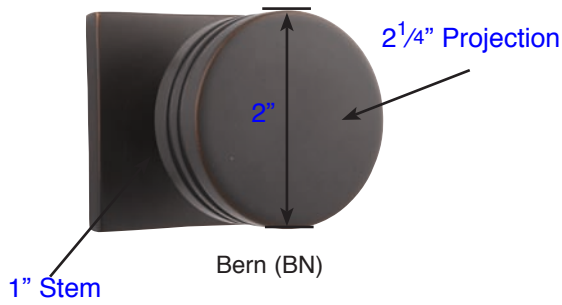


Door Thickness Specifications

- Standard Door Thickness: 1¼" - 2"
- Standard Components:
 - Privacy Pin (for privacy sets)
 - Inside Passage Half Spindle
 - 1½" Rosette Screws
 - Full-Lip Strike Plate

- **Extended** Door Thickness: 2" - 2½"
- Extended Components:
 - Privacy Pin w/ Extension (for privacy sets)
 - Long Inside Passage Half Spindle
 - 2" Rosette Screws
 - Extended Full-Lip Strike Plate

- **Extended** Door Thickness: 2½" - 3"
- Extended Components:
 - Privacy Pin w/ Extension (for privacy sets)
 - Extra Long Inside Passage Half Spindle
 - 2½" Rosette Screws
 - Extended Full-Lip Strike Plate

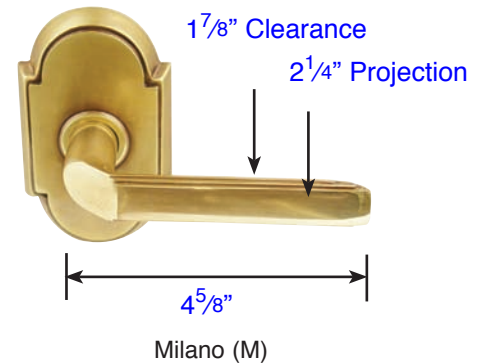
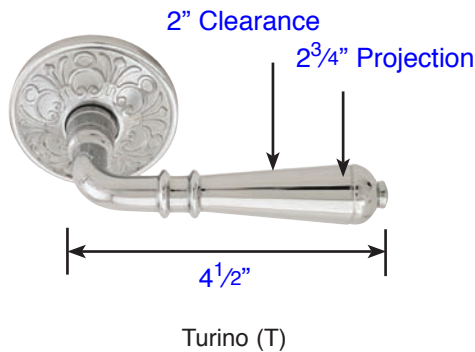
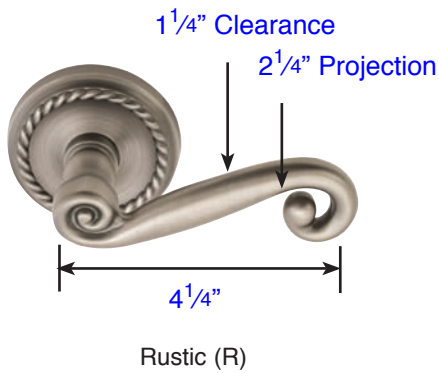
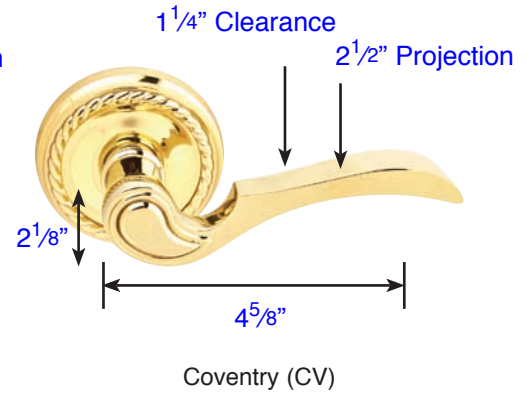
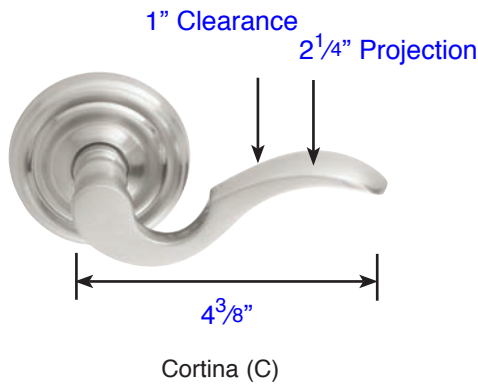
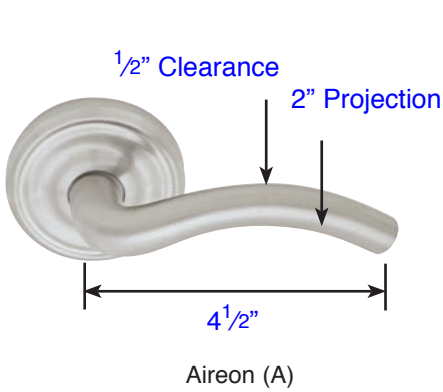


Door Thickness Specifications

- Standard Door Thickness: 1 1/4" - 2"
- Standard Components:
 - Privacy Pin (for privacy sets)
 - Inside Passage Half Spindle
 - 1 1/2" Rosette Screws
 - Full-Lip Strike Plate

- **Extended** Door Thickness: 2" - 2 1/2"
- Extended Components:
 - Privacy Pin w/ Extension (for privacy sets)
 - Long Inside Passage Half Spindle
 - 2" Rosette Screws
 - Extended Full-Lip Strike Plate

- **Extended** Door Thickness: 2 1/2" - 3"
- Extended Components:
 - Privacy Pin w/ Extension (for privacy sets)
 - Extra Long Inside Passage Half Spindle
 - 2 1/2" Rosette Screws
 - Extended Full-Lip Strike Plate

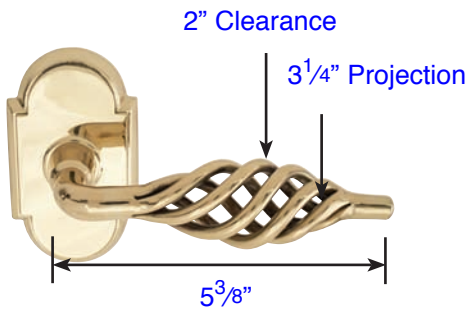


Door Thickness Specifications

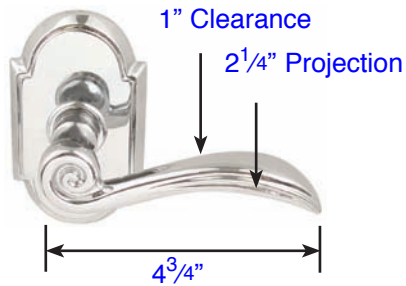
- Standard Door Thickness: 1 1/4" - 2"
- Standard Components:
 - Privacy Pin (for privacy sets)
 - Inside Passage Half Spindle
 - 1 1/2" Rosette Screws
 - Full-Lip Strike Plate

- **Extended** Door Thickness: 2" - 2 1/2"
- Extended Components:
 - Privacy Pin w/ Extension (for privacy sets)
 - Long Inside Passage Half Spindle
 - 2" Rosette Screws
 - Extended Full-Lip Strike Plate

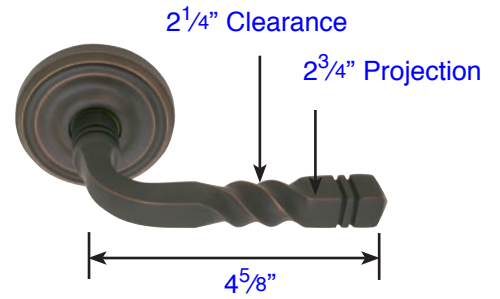
- **Extended** Door Thickness: 2 1/2" - 3"
- Extended Components:
 - Privacy Pin w/ Extension (for privacy sets)
 - Extra Long Inside Passage Half Spindle
 - 2 1/2" Rosette Screws
 - Extended Full-Lip Strike Plate



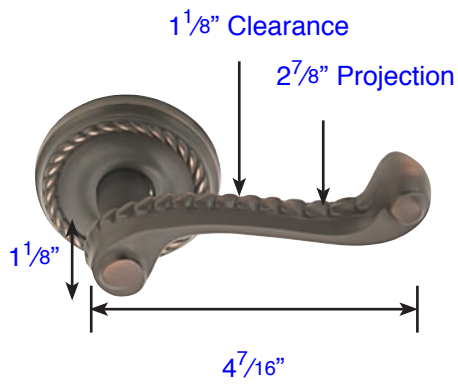
Lafayette (LB)



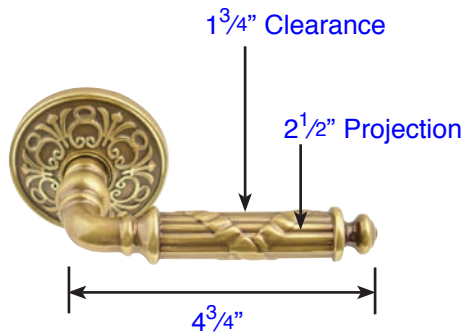
Elan (EN)



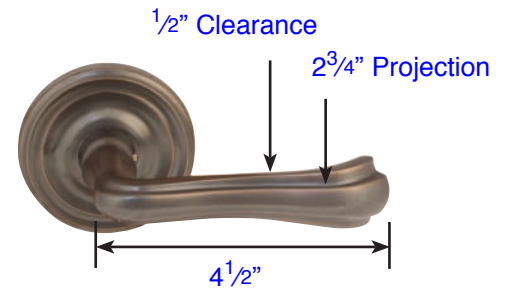
Santa Fe (SF)



Rope (RL)



Ribbon & Reed (RBL)



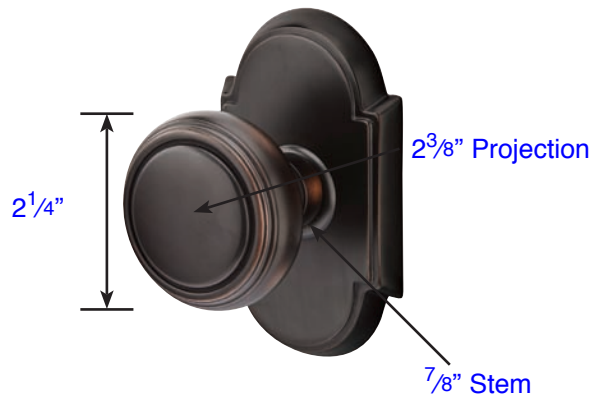
Wembley (WM)

Door Thickness Specifications

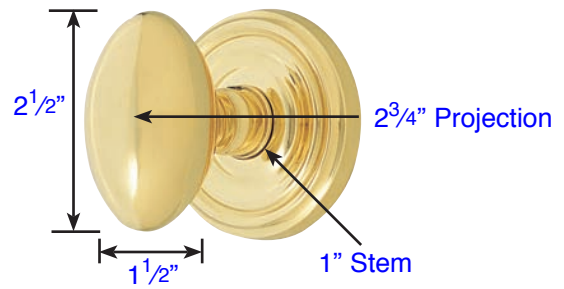
- Standard Door Thickness: 1 1/4" - 2"
- Standard Components:
 - Privacy Pin (for privacy sets)
 - Inside Passage Half Spindle
 - 1 1/2" Rosette Screws
 - Full-Lip Strike Plate

- **Extended** Door Thickness: 2" - 2 1/2"
- Extended Components:
 - Privacy Pin w/ Extension (for privacy sets)
 - Long Inside Passage Half Spindle
 - 2" Rosette Screws
 - Extended Full-Lip Strike Plate

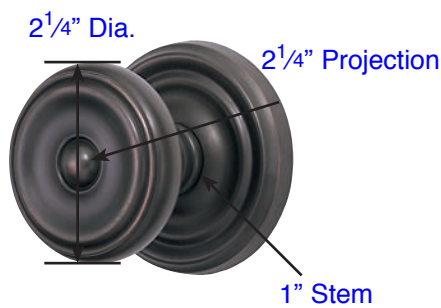
- **Extended** Door Thickness: 2 1/2" - 3"
- Extended Components:
 - Privacy Pin w/ Extension (for privacy sets)
 - Extra Long Inside Passage Half Spindle
 - 2 1/2" Rosette Screws
 - Extended Full-Lip Strike Plate



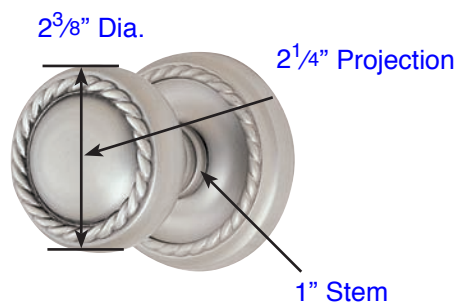
Norwich (NW)



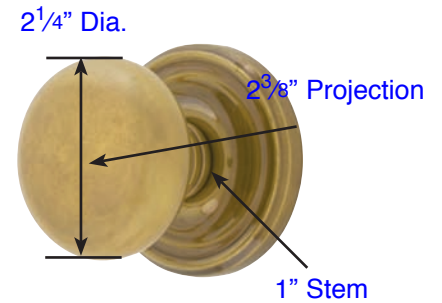
Egg (E)



Waverly (W)



Rope (RK)



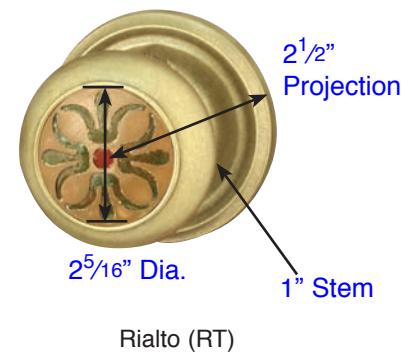
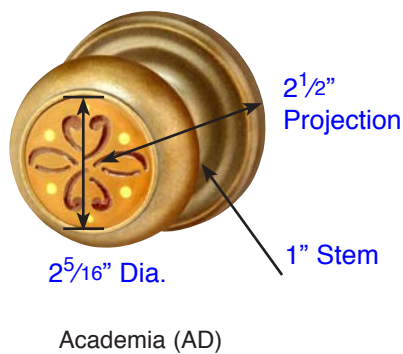
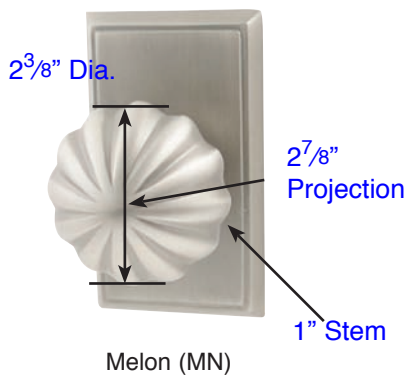
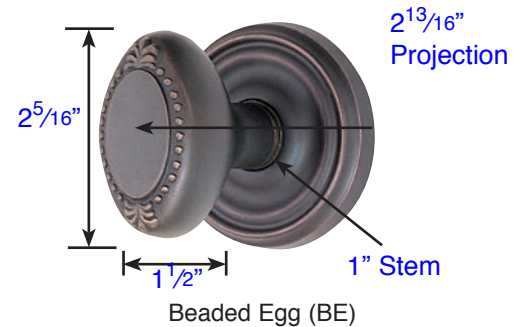
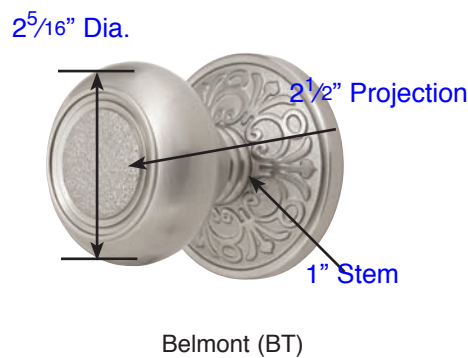
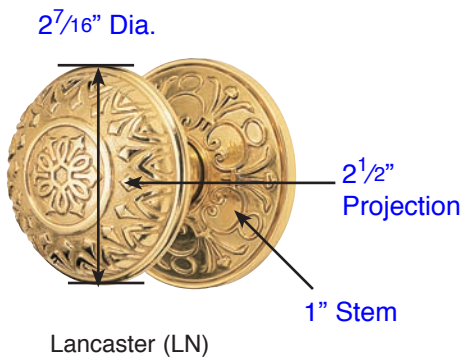
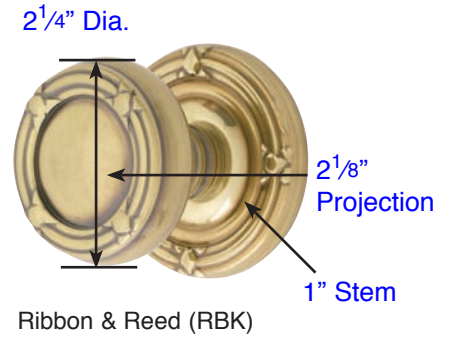
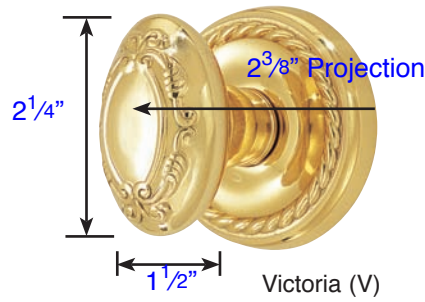
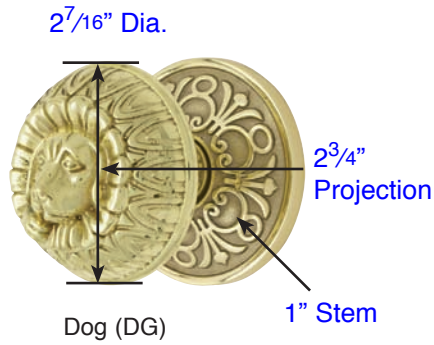
Providence (P)

Door Thickness Specifications

- Standard Door Thickness: 1 1/4" - 2"
- Standard Components:
 - Privacy Pin (for privacy sets)
 - Inside Passage Half Spindle
 - 1 1/2" Rosette Screws
 - Full-Lip Strike Plate

- **Extended** Door Thickness: 2" - 2 1/2"
- Extended Components:
 - Privacy Pin w/ Extension (for privacy sets)
 - Long Inside Passage Half Spindle
 - 2" Rosette Screws
 - Extended Full-Lip Strike Plate

- **Extended** Door Thickness: 2 1/2" - 3"
- Extended Components:
 - Privacy Pin w/ Extension (for privacy sets)
 - Extra Long Inside Passage Half Spindle
 - 2 1/2" Rosette Screws
 - Extended Full-Lip Strike Plate



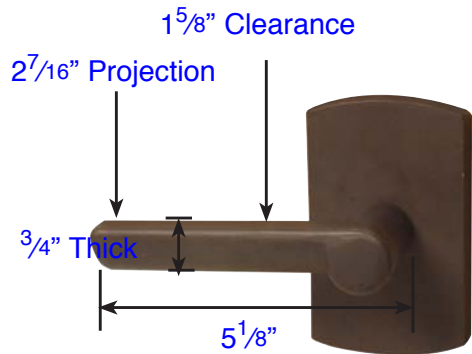
Door Thickness Specifications

- Standard Door Thickness: 1¹/₄" - 2"
- Standard Components:
- Privacy Pin (for privacy sets)
- Inside Passage Half Spindle
- 1¹/₂" Rosette Screws
- Full-Lip Strike Plate

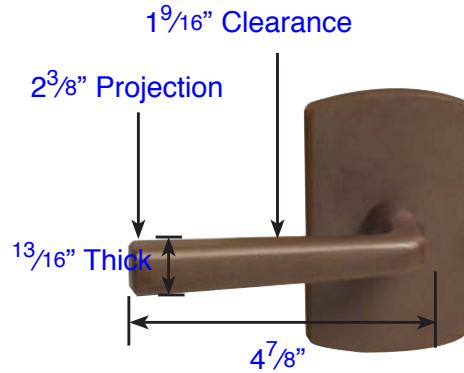
- **Extended** Door Thickness: 2" - 2¹/₂"
- Extended Components:
- Privacy Pin w/ Extension (for privacy sets)
- Long Inside Passage Half Spindle
- 2" Rosette Screws
- Extended Full-Lip Strike Plate

- **Extended** Door Thickness: 2¹/₂" - 3"
- Extended Components:
- Privacy Pin w/ Extension (for privacy sets)
- Extra Long Inside Passage Half Spindle
- 2¹/₂" Rosette Screws
- Extended Full-Lip Strike Plate

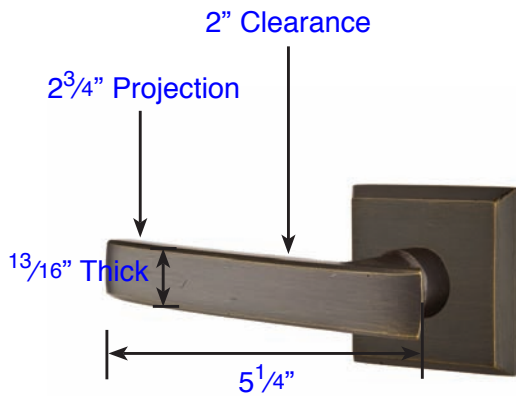
All Rosette Thickness: 1/2"



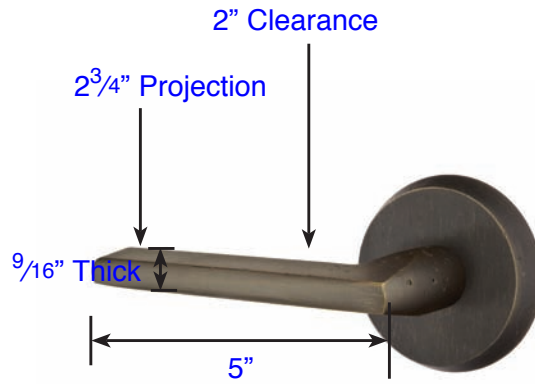
Aurora (AR)



Cimarron (CR)



Yuma (YM)



Lariat (LR)

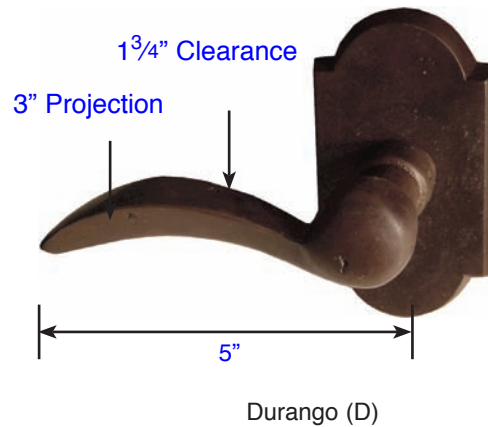
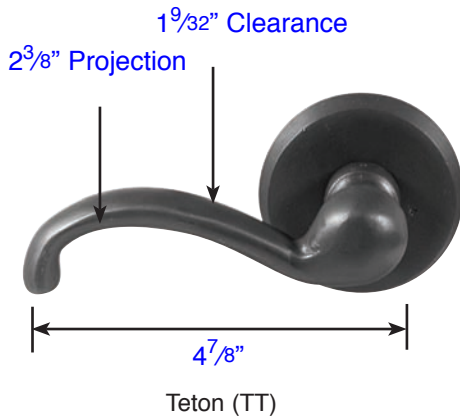
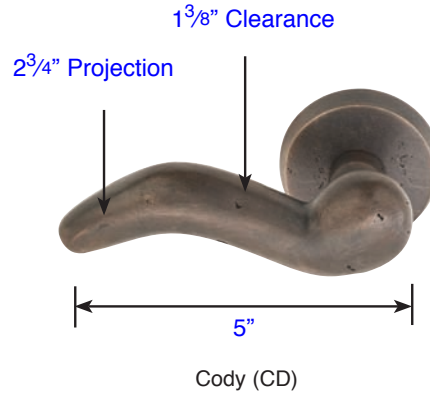
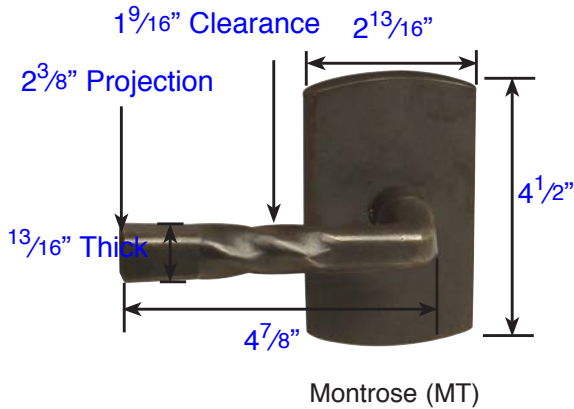
Door Thickness Specifications

- Standard Door Thickness: 1³/₈"- 2"
- Standard Components:
 - Privacy Pin (for privacy sets)
 - Inside Passage Half Spindle
 - 1¹/₂" Rosette Screws
 - Full-Lip Strike Plate

- **Extended** Door Thickness: 2"- 2¹/₂"
- Extended Components:
 - Privacy Pin w/ Extension (for privacy sets)
 - Long Inside Passage Half Spindle
 - 2" Rosette Screws
 - Extended Full-Lip Strike Plate

- **Extended** Door Thickness: 2¹/₂"- 3"
- Extended Components:
 - Privacy Pin w/ Extension (for privacy sets)
 - Extra Long Inside Passage Half Spindle
 - 2¹/₂" Rosette Screws
 - Extended Full-Lip Strike Plate

All Rosette Thickness: 1/2"

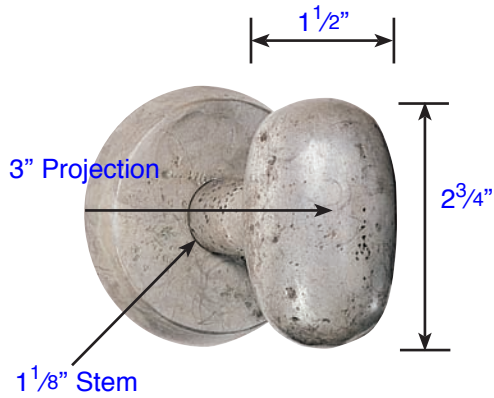


Door Thickness Specifications

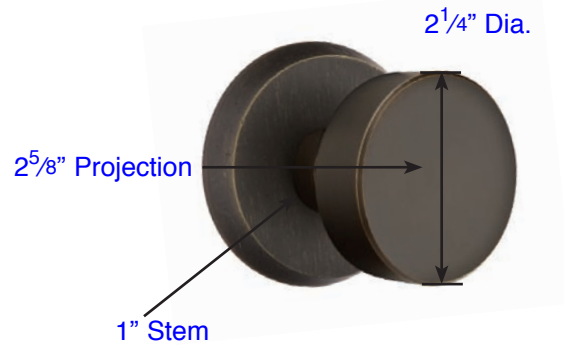
- Standard Door Thickness: 1³/₈"- 2"
- Standard Components:
 - Privacy Pin (for privacy sets)
 - Inside Passage Half Spindle
 - 1¹/₂" Rosette Screws
 - Full-Lip Strike Plate

- **Extended** Door Thickness: 2"- 2¹/₂"
- Extended Components:
 - Privacy Pin w/ Extension (for privacy sets)
 - Long Inside Passage Half Spindle
 - 2" Rosette Screws
 - Extended Full-Lip Strike Plate

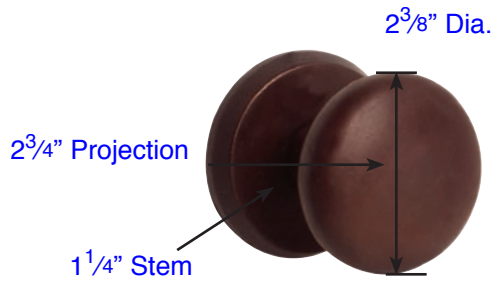
- **Extended** Door Thickness: 2¹/₂"- 3"
- Extended Components:
 - Privacy Pin w/ Extension (for privacy sets)
 - Extra Long Inside Passage Half Spindle
 - 2¹/₂" Rosette Screws
 - Extended Full-Lip Strike Plate



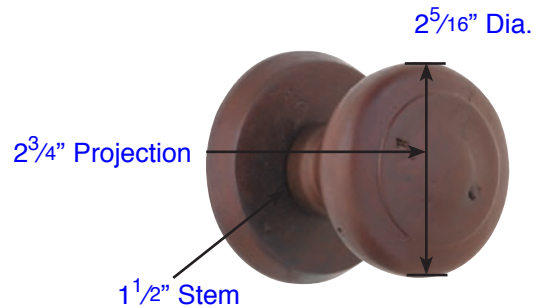
Bronze Egg (BZE)



Round (BZRN)



Winchester (WC)



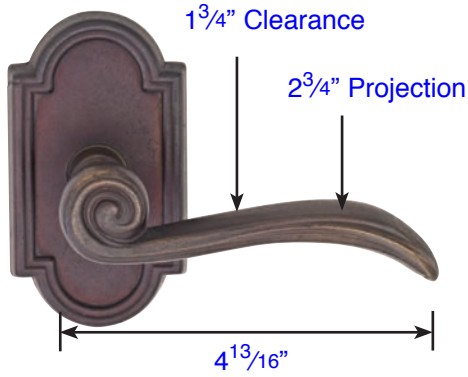
Butte (BU)

Door Thickness Specifications

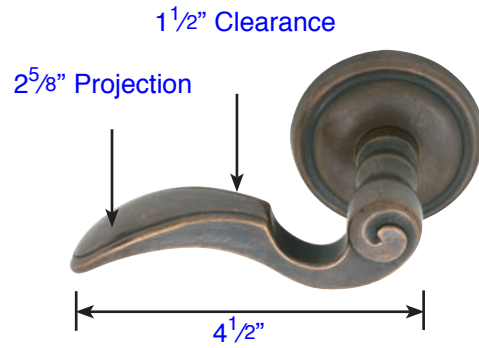
- Standard Door Thickness: 1 3/8" - 2"
- Standard Components:
 - Privacy Pin (for privacy sets)
 - Inside Passage Half Spindle
 - 1 1/2" Rosette Screws
 - Full-Lip Strike Plate

- **Extended** Door Thickness: 2" - 2 1/2"
- Extended Components:
 - Privacy Pin w/ Extension (for privacy sets)
 - Long Inside Passage Half Spindle
 - 2" Rosette Screws
 - Extended Full-Lip Strike Plate

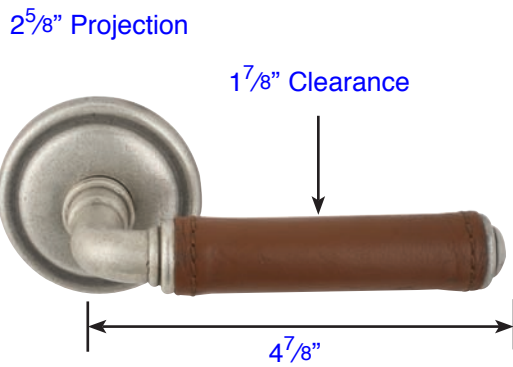
- **Extended** Door Thickness: 2 1/2" - 3"
- Extended Components:
 - Privacy Pin w/ Extension (for privacy sets)
 - Extra Long Inside Passage Half Spindle
 - 2 1/2" Rosette Screws
 - Extended Full-Lip Strike Plate



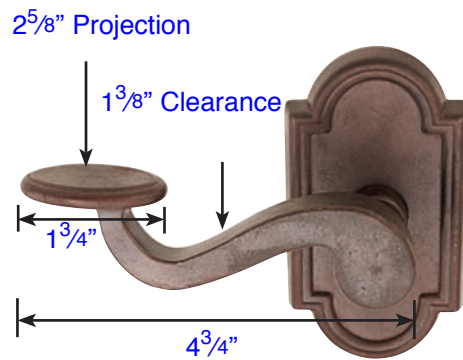
Medici (MDI)



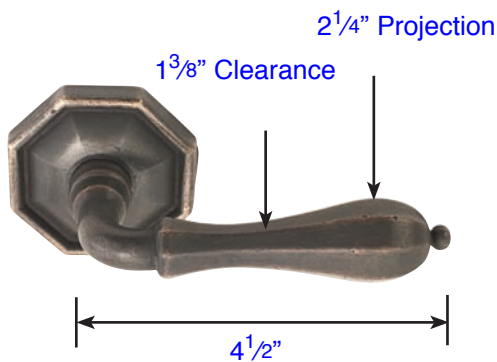
Napoli (NA)



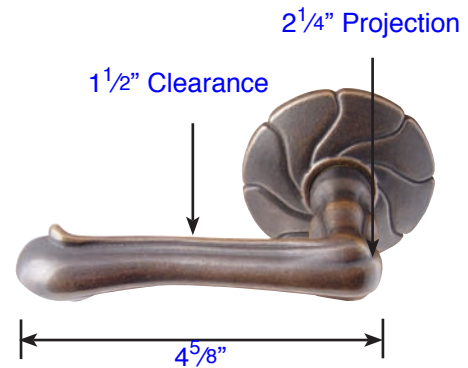
Dakota (DK)



Padua (PD)



Octagon (OCL)



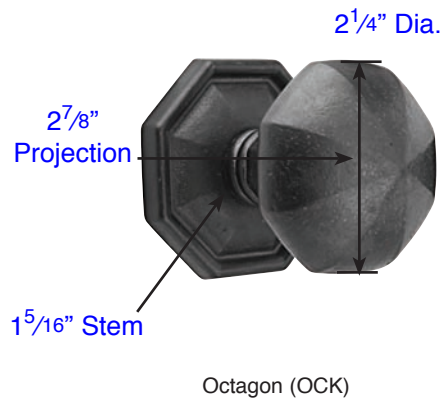
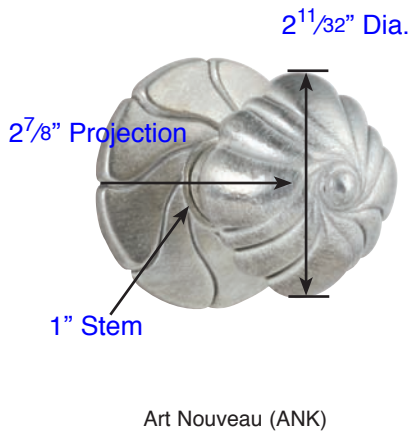
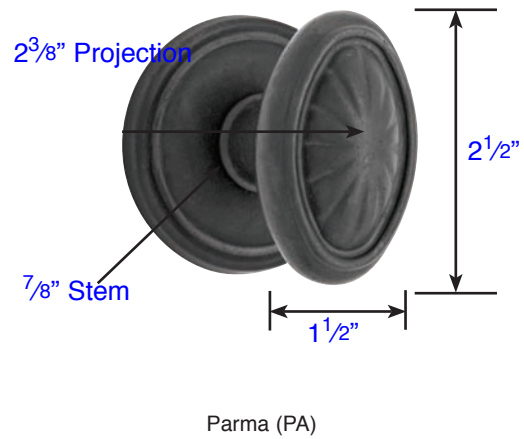
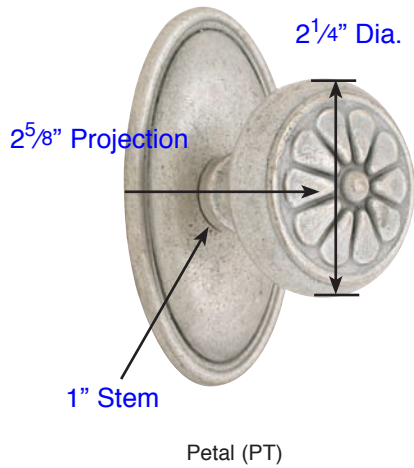
Art Nouveau (ANL)

Door Thickness Specifications

- Standard Door Thickness: 1 3/8" - 2"
- Standard Components:
 - Privacy Pin (for privacy sets)
 - Inside Passage Half Spindle
 - 1 1/2" Rosette Screws
 - Full-Lip Strike Plate

- **Extended** Door Thickness: 2" - 2 1/2"
- Extended Components:
 - Privacy Pin w/ Extension (for privacy sets)
 - Long Inside Passage Half Spindle
 - 2" Rosette Screws
 - Extended Full-Lip Strike Plate

- **Extended** Door Thickness: 2 1/2" - 3"
- Extended Components:
 - Privacy Pin w/ Extension (for privacy sets)
 - Extra Long Inside Passage Half Spindle
 - 2 1/2" Rosette Screws
 - Extended Full-Lip Strike Plate

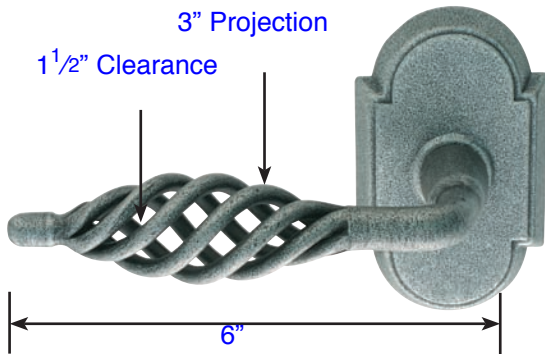


Door Thickness Specifications

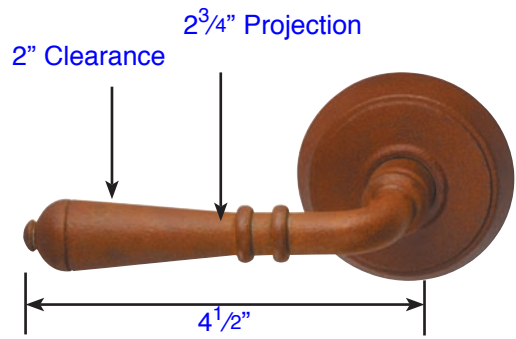
- Standard Door Thickness: 1³/₈" - 2"
- Standard Components:
 - Privacy Pin (for privacy sets)
 - Inside Passage Half Spindle
 - 1¹/₂" Rosette Screws
 - Full-Lip Strike Plate

- **Extended** Door Thickness: 2" - 2¹/₂"
- Extended Components:
 - Privacy Pin w/ Extension (for privacy sets)
 - Long Inside Passage Half Spindle
 - 2" Rosette Screws
 - Extended Full-Lip Strike Plate

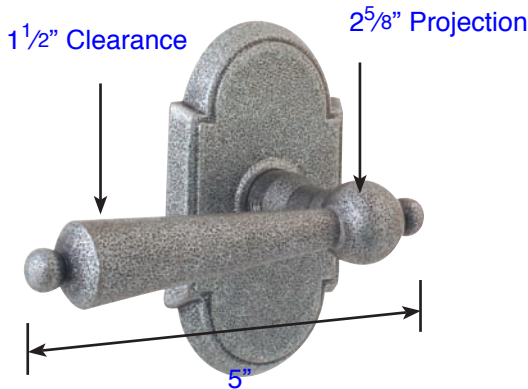
- **Extended** Door Thickness: 2¹/₂" - 3"
- Extended Components:
 - Privacy Pin w/ Extension (for privacy sets)
 - Extra Long Inside Passage Half Spindle
 - 2¹/₂" Rosette Screws
 - Extended Full-Lip Strike Plate



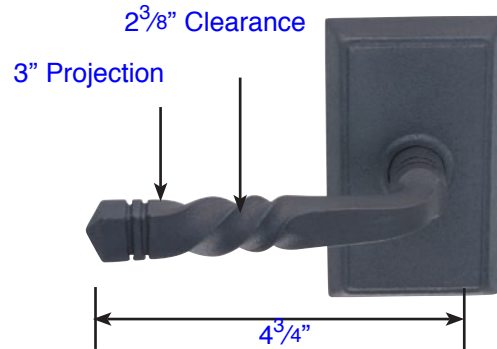
Lafayette (L)



Normandy (N)



Harrisburg (HL)



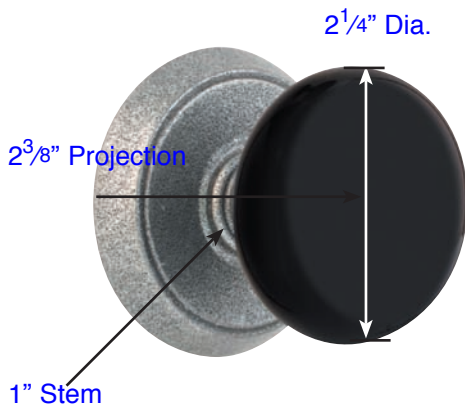
San Carlos (SC)

Door Thickness Specifications

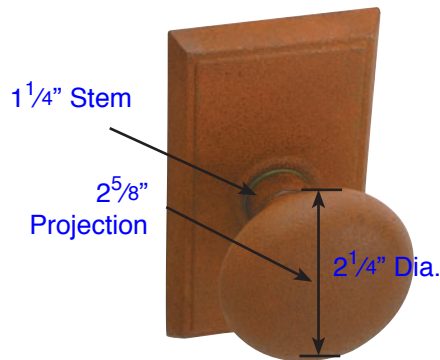
- Standard Door Thickness: 1³/₈"- 2"
- Standard Components:
 - Privacy Pin (for privacy sets)
 - Inside Passage Half Spindle
 - 1¹/₂" Rosette Screws
 - Full-Lip Strike Plate

- **Extended** Door Thickness: 2"- 2¹/₄"
- Extended Components:
 - Privacy Pin w/ Extension (for privacy sets)
 - Long Inside Passage Half Spindle
 - 2" Rosette Screws
 - Extended Full-Lip Strike Plate

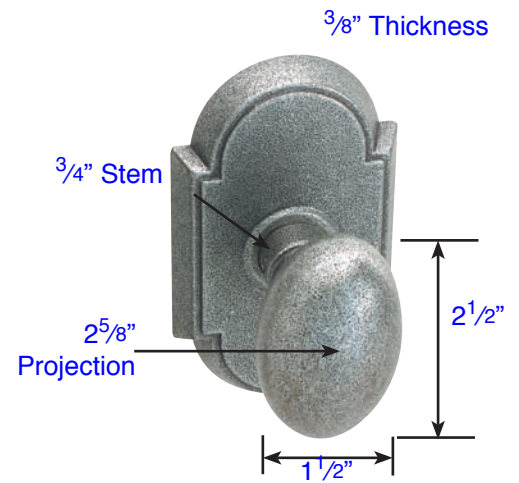
- **Extended** Door Thickness: 2¹/₄"- 3"
- Extended Components:
 - Privacy Pin w/ Extension (for privacy sets)
 - Extra Long Inside Passage Half Spindle
 - 2¹/₂" Rosette Screws
 - Extended Full-Lip Strike Plate



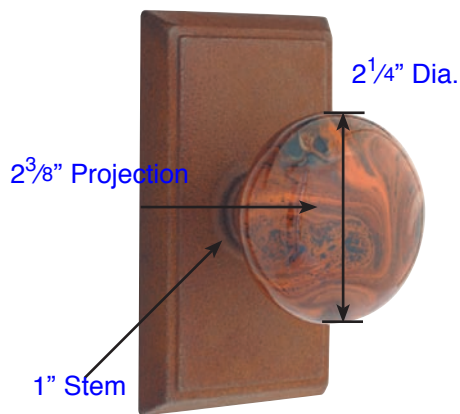
Black Madison (MB)



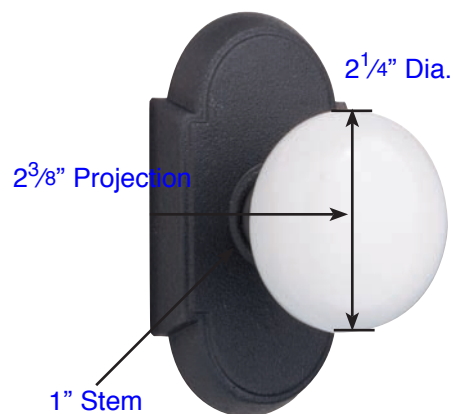
Jamestown (J)



Savannah (SV)



Brown Swirl Madison (MS)



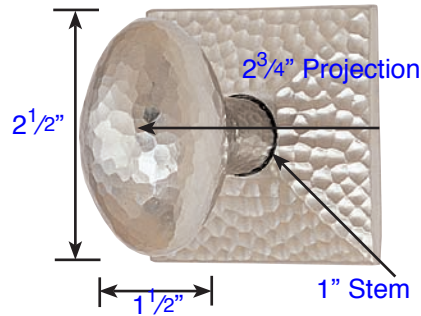
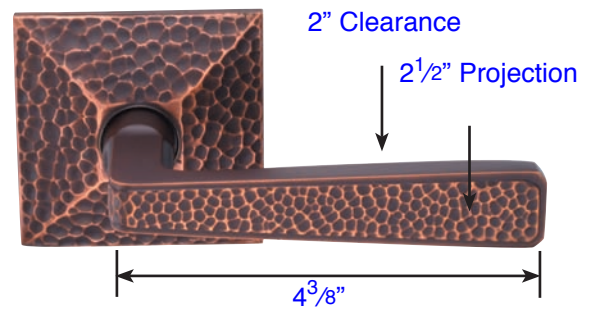
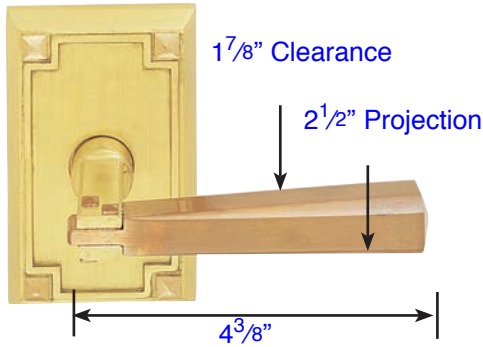
Ivory Madison (IM)

Door Thickness Specifications

- Standard Door Thickness: 1³/₈" - 2"
- Standard Components:
 - Privacy Pin (for privacy sets)
 - Inside Passage Half Spindle
 - 1¹/₂" Rosette Screws
 - Full-Lip Strike Plate

- **Extended** Door Thickness: 2" - 2¹/₄"
- Extended Components:
 - Privacy Pin w/ Extension (for privacy sets)
 - Long Inside Passage Half Spindle
 - 2" Rosette Screws
 - Extended Full-Lip Strike Plate

- **Extended** Door Thickness: 2¹/₄" - 3"
- Extended Components:
 - Privacy Pin w/ Extension (for privacy sets)
 - Extra Long Inside Passage Half Spindle
 - 2¹/₂" Rosette Screws
 - Extended Full-Lip Strike Plate



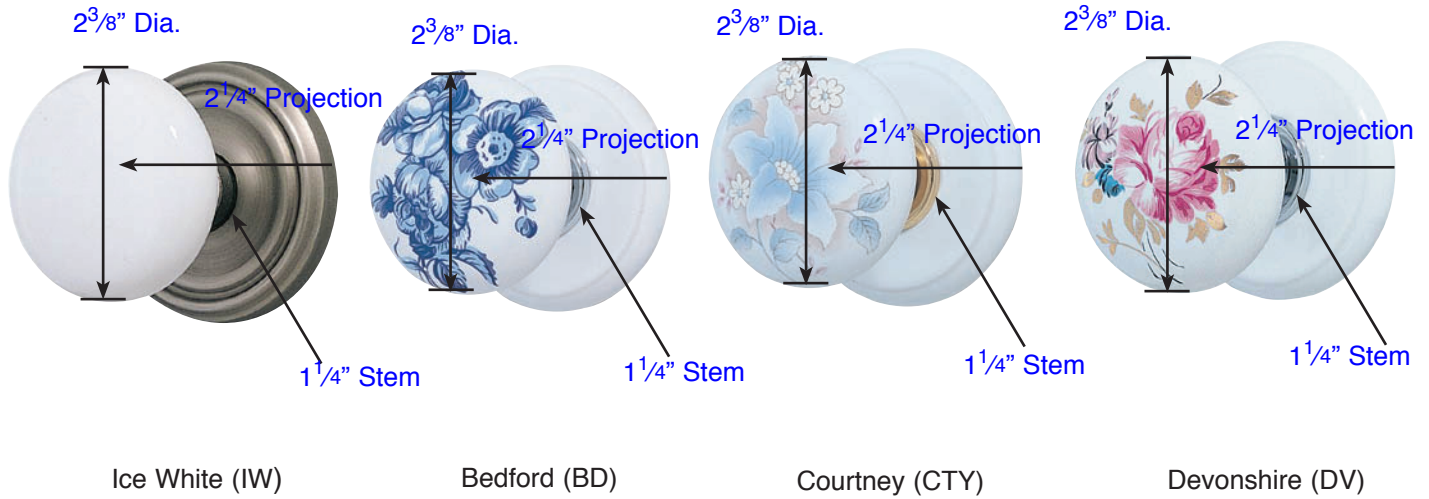
Door Thickness Specifications

- Standard Door Thickness: 1 1/4" - 2"
- Standard Components:
 - Privacy Pin (for privacy sets)
 - Inside Passage Half Spindle
 - 1 1/2" Rosette Screws
 - Full-Lip Strike Plate

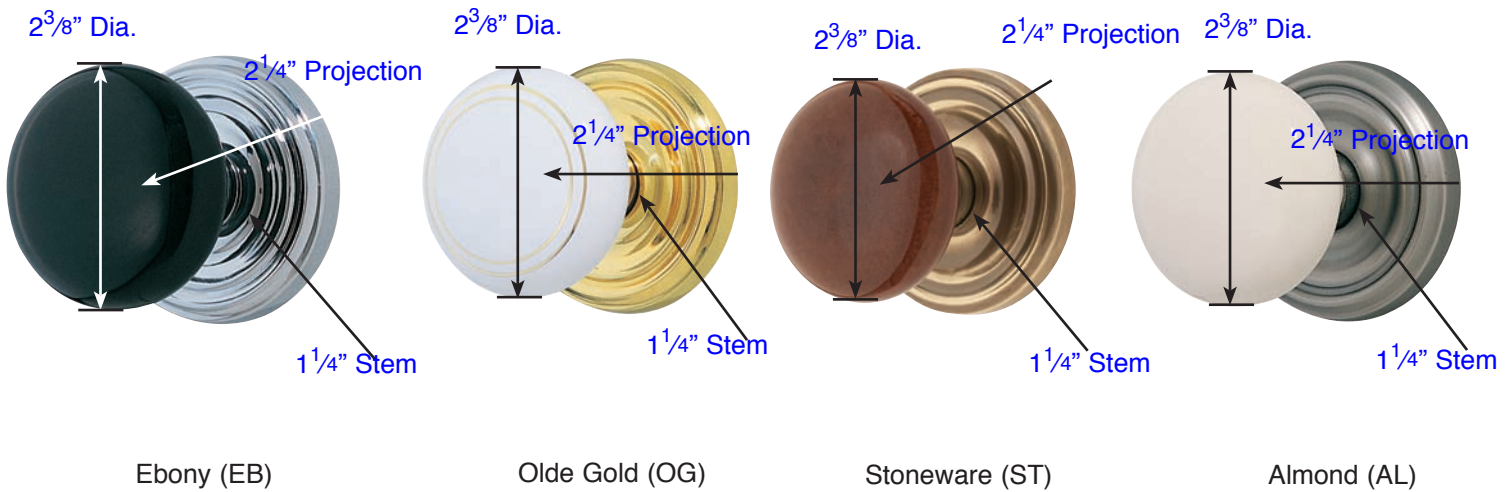
- **Extended** Door Thickness: 2" - 2 1/2"
- Extended Components:
 - Privacy Pin w/ Extension (for privacy sets)
 - Long Inside Passage Half Spindle
 - 2" Rosette Screws
 - Extended Full-Lip Strike Plate

- **Extended** Door Thickness: 2 1/2" - 3"
- Extended Components:
 - Privacy Pin w/ Extension (for privacy sets)
 - Extra Long Inside Passage Half Spindle
 - 2 1/2" Rosette Screws
 - Extended Full-Lip Strike Plate

PORCELAIN KNOBSETS WITH PORCELAIN ROSETTES



PORCELAIN KNOBSETS WITH BRASS ROSETTES

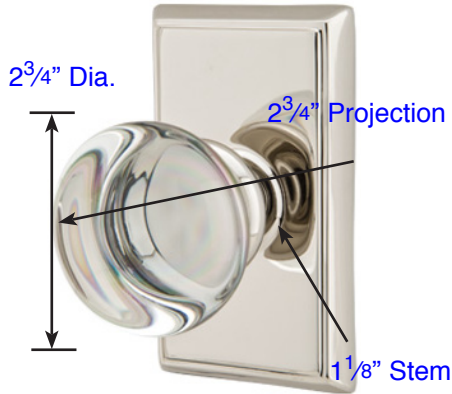


Door Thickness Specifications

- Standard Door Thickness: 1 1/4" - 2"
- Standard Components:
 - Privacy Pin (for privacy sets)
 - Inside Passage Half Spindle
 - 1 1/2" Rosette Screws
 - Full-Lip Strike Plate

- **Extended** Door Thickness: 2" - 2 1/2"
- Extended Components:
 - Privacy Pin w/ Extension (for privacy sets)
 - Long Inside Passage Half Spindle
 - 2" Rosette Screws
 - Extended Full-Lip Strike Plate

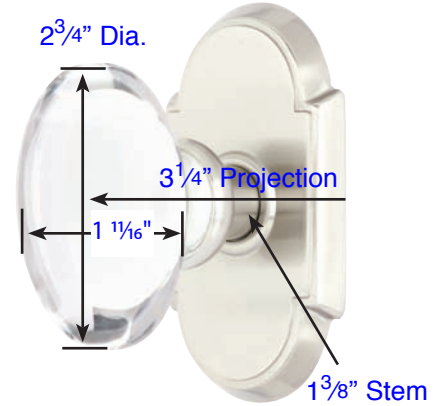
- **Extended** Door Thickness: 2 1/2" - 3"
- Extended Components:
 - Privacy Pin w/ Extension (for privacy sets)
 - Extra Long Inside Passage Half Spindle
 - 2 1/2" Rosette Screws
 - Extended Full-Lip Strike Plate



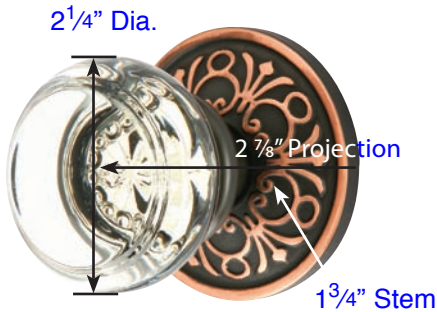
Providence Crystal (PC)



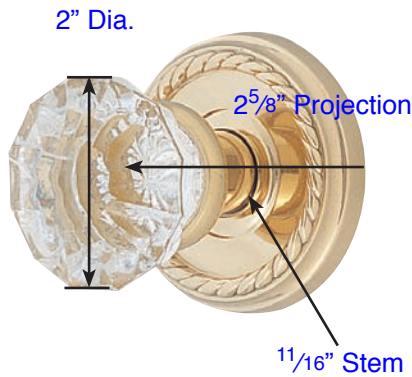
Bristol (BL)



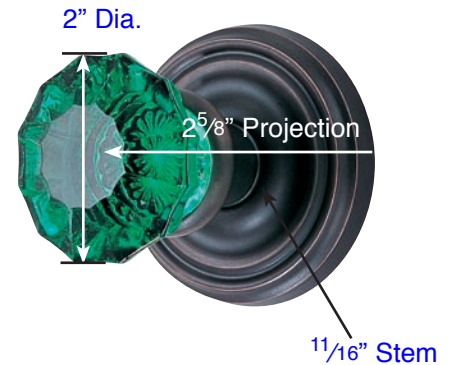
Hampton (HT)



Georgetown (GT)



Astoria - Clear (AS)



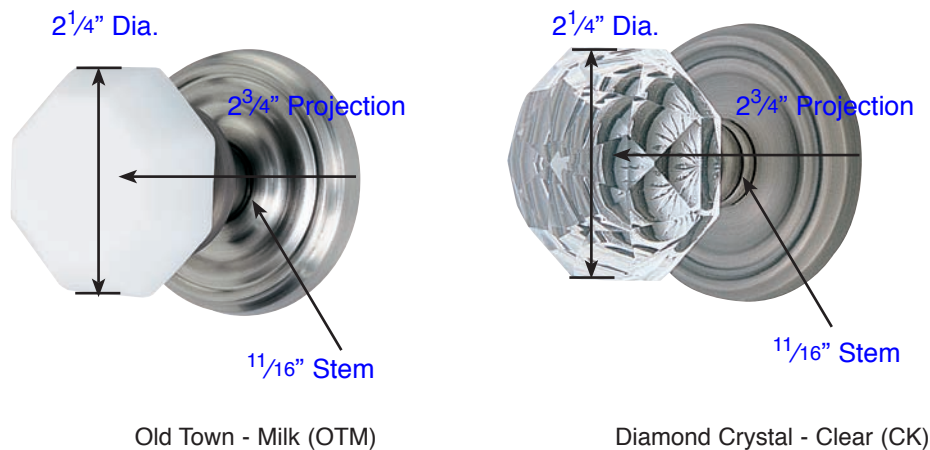
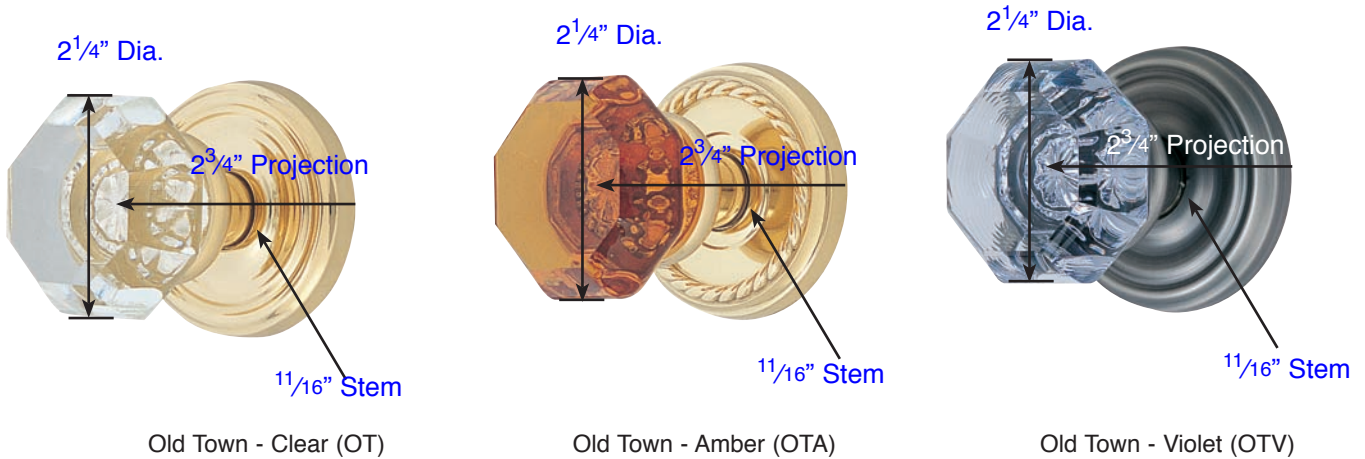
Astoria - Emerald (ASE)

Door Thickness Specifications

- Standard Door Thickness: 1 1/4" - 2"
- Standard Components:
 - Privacy Pin (for privacy sets)
 - Inside Passage Half Spindle
 - 1 1/2" Rosette Screws
 - Full-Lip Strike Plate

- **Extended** Door Thickness: 2" - 2 1/2"
- Extended Components:
 - Privacy Pin w/ Extension (for privacy sets)
 - Long Inside Passage Half Spindle
 - 2" Rosette Screws
 - Extended Full-Lip Strike Plate

- **Extended** Door Thickness: 2 1/2" - 3"
- Extended Components:
 - Privacy Pin w/ Extension (for privacy sets)
 - Extra Long Inside Passage Half Spindle
 - 2 1/2" Rosette Screws
 - Extended Full-Lip Strike Plate



Door Thickness Specifications

- | | | |
|---|---|---|
| <ul style="list-style-type: none"> • Standard Door Thickness: 1 1/4" - 2" Standard Components: <ul style="list-style-type: none"> • Privacy Pin (for privacy sets) • Inside Passage Half Spindle • 1 1/2" Rosette Screws • Full-Lip Strike Plate | <ul style="list-style-type: none"> • Extended Door Thickness: 2" - 2 1/2" Extended Components: <ul style="list-style-type: none"> • Privacy Pin w/ Extension (for privacy sets) • Long Inside Passage Half Spindle • 2" Rosette Screws • Extended Full-Lip Strike Plate | <ul style="list-style-type: none"> • Extended Door Thickness: 2 1/2" - 3" Extended Components: <ul style="list-style-type: none"> • Privacy Pin w/ Extension (for privacy sets) • Extra Long Inside Passage Half Spindle • 2 1/2" Rosette Screws • Extended Full-Lip Strike Plate |
|---|---|---|