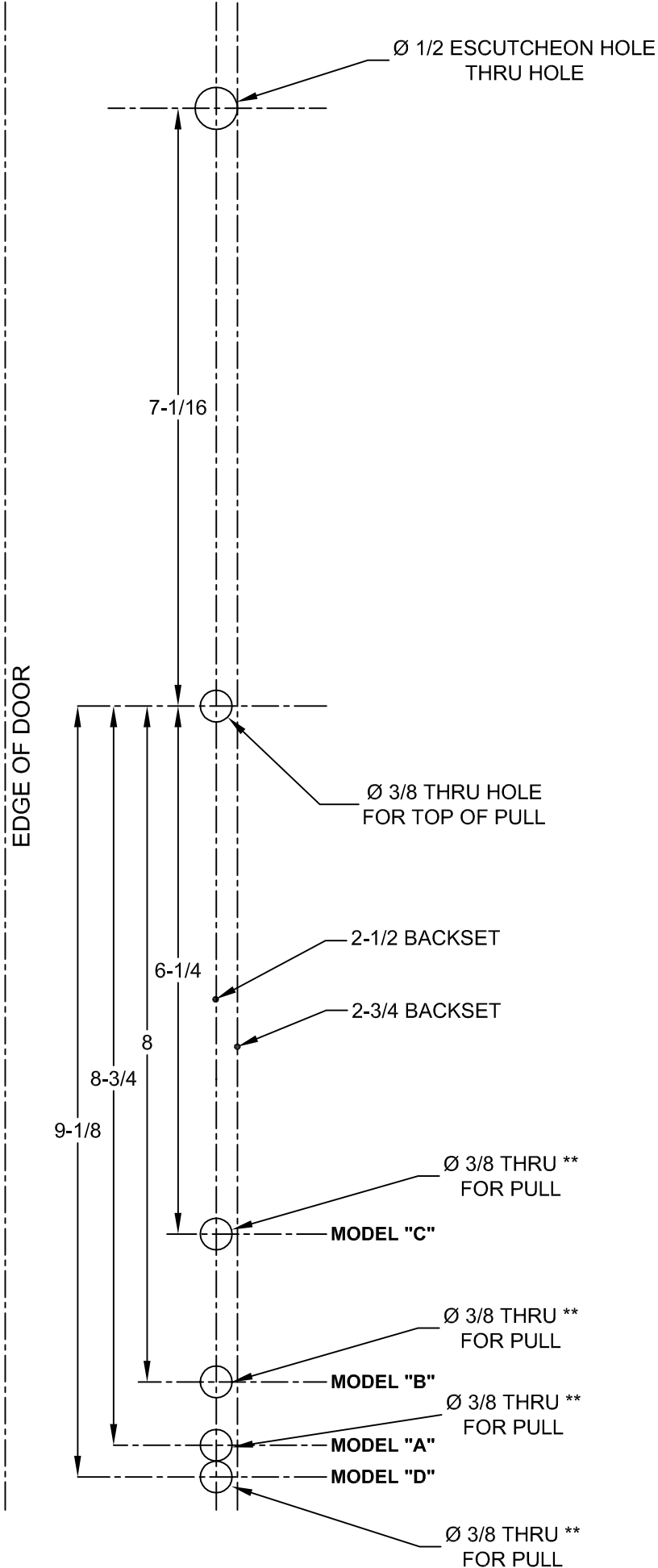


DUMMY MORTISE LOCK HOLE PREPARATION (RIGHT HAND)*



MODEL "A":

MEMPHIS / SALEM
TOPEKA / DA VINCI
RECTANGULAR FULL
ROCKFORD
CHARLESTON
NAPLES

MODEL "B":

HAMILTON / JACKSON
NORMANDY / LAFAYETTE
MANHATTAN / REGENCY
CRAFTSMAN / VERSAILLES
VALLEY FORGE/ MELROSE
OVAL RIBBON & REED/ OCTAGON/
ART NOUVEAU
ARTEMIS
HERA
MILLS
ZEUS
MORMONT
LUGANO

MODEL "C":

CHEYENNE/ DENVER/
RECTANGULAR MONOLITHIC/
RECTANGULAR SECTIONAL
MORGAN

MODEL "D":

SAN CARLOS

* NOTE: 8-1/2 X 11 COPY OF
THIS TEMPLATE NOT TO SCALE.
ALL DIMENSIONS ARE IN INCHES.

**** IMPORTANT: Ø 3/8 HOLES
ARE FOR GRIP MODELS ONLY.**