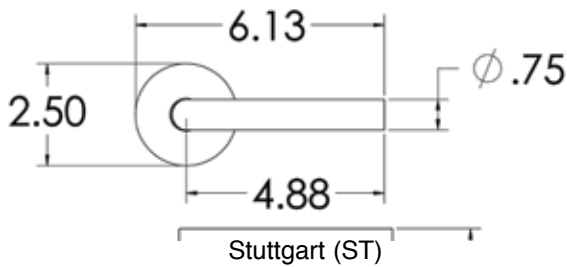
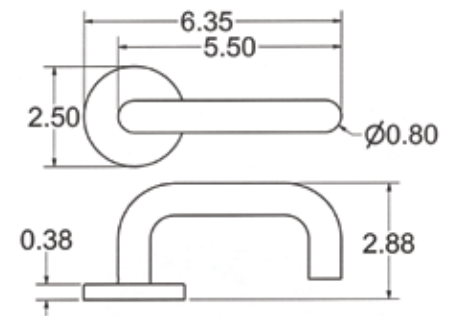
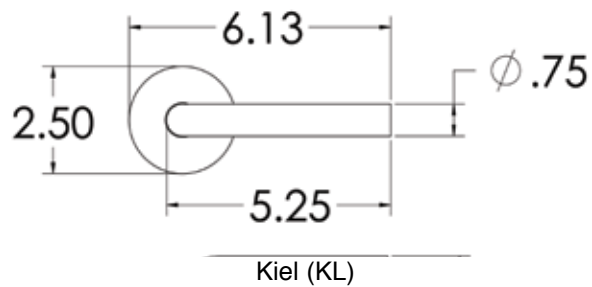
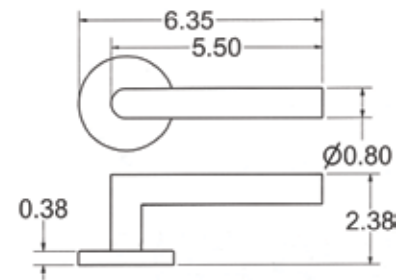




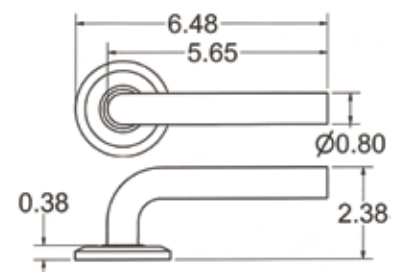
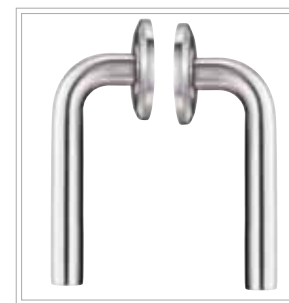
Cologne (CO)



Stuttgart (ST)



Kiel (KL)



Door Thickness Specifications

• Standard Door Thickness: 1³/₈"- 2"
Standard Components:

- Privacy Pin (for privacy sets)
- Inside Passage Half Spindle
- 1¹/₂" Socket Head Machine Screws
- Full-Lip Strike Plate

• **Extended** Door Thickness: 2"- 2¹/₂"
Extended Components:

- Privacy Pin w/ Extension (for privacy sets)
- Long Inside Passage Half Spindle
- 2" Socket Head Machine Screws
- Extended Full-Lip Strike Plate

• **Extended** Door Thickness: 2¹/₂"- 2³/₄"
Extended Components:

- Privacy Pin w/ Extension (for privacy sets)
- Long Inside Passage Half Spindle
- 2¹/₂" Socket Head Machine Screws
- Extended Full-Lip Strike Plate