

### Functions:

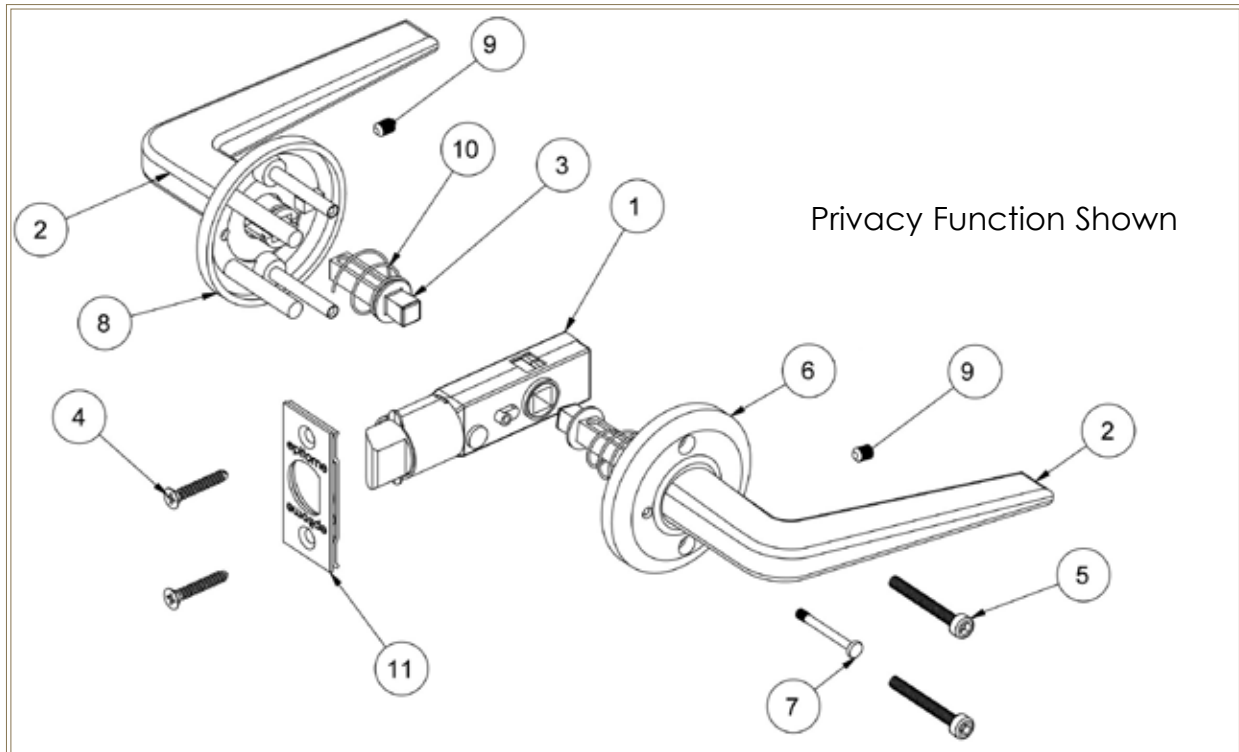
Passage: Lever operates from either side of door.

Privacy: Push button on the interior engages privacy. Turning the inside lever releases privacy and retracts latchbolt.

Dummy Pair: Surface mounted on threaded spindle. Requires no door prep.

### Door Prep Specifications:

- Fits standard door prep--2<sup>1</sup>/<sub>8</sub>" face bore & 1" edge bore.
- Fits a range of door thickness from 1<sup>3</sup>/<sub>8</sub>" to 2". Thicker doors--please specify.



### Latches:

- 28° retraction
- 7MM hub
- Split spindles
- 2<sup>3</sup>/<sub>8</sub>" backset standard
- 2<sup>3</sup>/<sub>4</sub>" backset available--please specify
- Stainless steel nosebolt

### Strike & Face Plates:

- Strike Plate--1<sup>1</sup>/<sub>2</sub>"W x 2<sup>1</sup>/<sub>4</sub>"H
- Face Plate--1"W x 2<sup>1</sup>/<sub>4</sub>"H
- Full Lip strike is standard
- "T" strike optional--please specify
- Strike & faceplates are square cornered

### Legend

- 1) Latch (Passage/Privacy)
- 2) Lever Handles
- 3) Spindles
- 4) Face Plate Wood Screws
- 5) Socket Hex Head Machine Screws
- 6) Inside Rosette
- 7) Privacy Pin (for Privacy Sets)
- 8) Outside Rosette
- 9) Set Screws
- 10) Spindle Spring
- 11) Latch Face Plate