
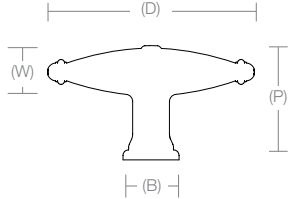

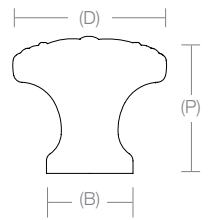


Ribbon & Reed Brass Cabinet Knob & Pull Specifications


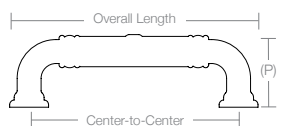
Ribbon & Reed Finger Knob

		Product Code Dimension(D) Projection(P) Base Diameter(B) Width(W)
		86279 1 3/4" 1 1/4" 3/4" 1/2"
		86280 3" 1 1/2" 3/4" 5/8"


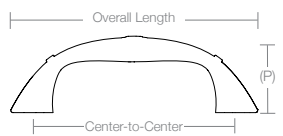
Ribbon & Reed Knob

		Product Code Dimension(D) Projection(P) Base Diameter(B)
		86277 1 1/4" 1 1/8" 5/8"
		86278 1 3/4" 1 1/2" 1"

Ribbon & Reed Fixed Pull - Estate

		Product Code Overall Length Dimension C-to-C Projection(P)
		86283 3 5/8" 3" 1 1/4"
		86284 4 1/8" 3 1/2" 1 1/4"
		86285 4 5/8" 4" 1 1/4"
		86286 6 5/8" 6" 1 1/4"
		86287 10 5/8" 10" 1 3/8"

Ribbon & Reed Fixed Pull - Regal

		Product Code Overall Length Dimension C-to-C Projection(P)
		86288 4 1/8" 3" 1 1/2"
		86289 4 5/8" 3 1/2" 1 1/2"
		86290 5 1/8" 4" 1 1/2"
		86291 7 1/4" 6" 1 1/2"
		86292 11 1/4" 10" 1 1/2"

Ribbon & Reed Bin Pull

		Product Code Overall Length Dimension Height Projection(P)
		86281 4" 3" 1 5/8" 1 1/8"
		86282 5 1/8" 4" 1 5/8" 1 1/4"

Ribbon & Reed Back Plate for Knob

		Product Code Dimension(D) Height (H) Plate Diameter(B)
		86293 2 1/2" 1 1/2" 1 1/4"

Ribbon & Reed Back Plate for Pull

		Product Code Overall Length Dimension Height (H)
		86294 6 5/8" 4" 1 1/2"