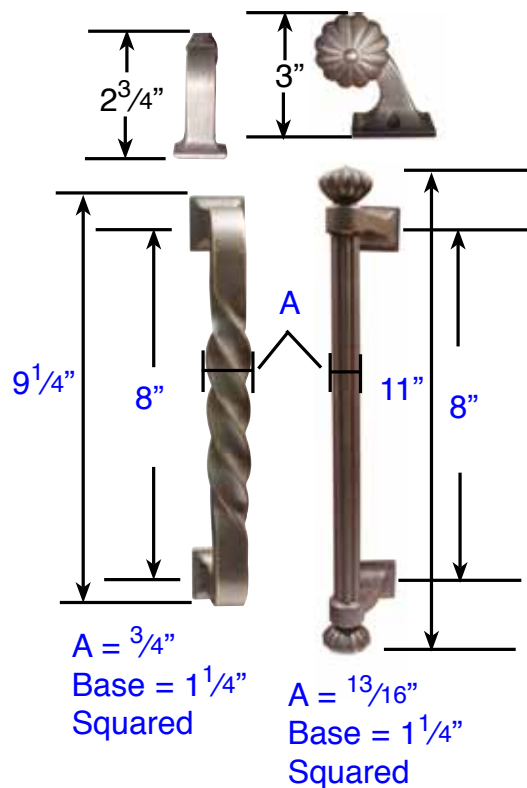


Tuscany Petal Pull Plate

Tuscany Petal Push Plate

A = $2\frac{5}{32}$ " Screw-to-Screw
B = $11\frac{1}{4}$ " Screw-to-Screw

A = $2\frac{5}{32}$ " Screw-to-Screw
B = $11\frac{1}{4}$ " Screw-to-Screw



A = $\frac{3}{4}$ "
Base = $1\frac{1}{4}$ "
Squared

A = $\frac{13}{16}$ "
Base = $1\frac{1}{4}$ "
Squared