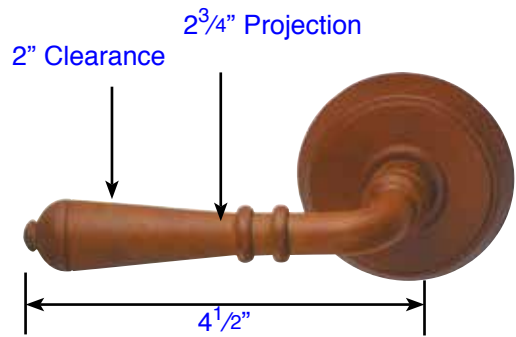
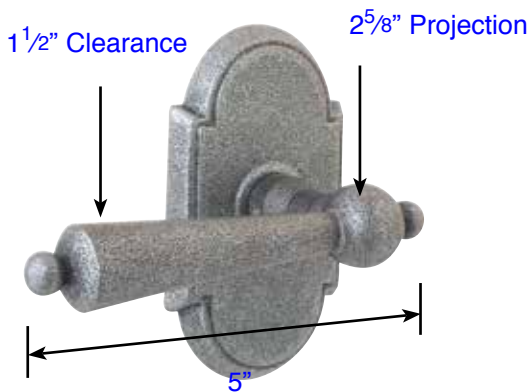


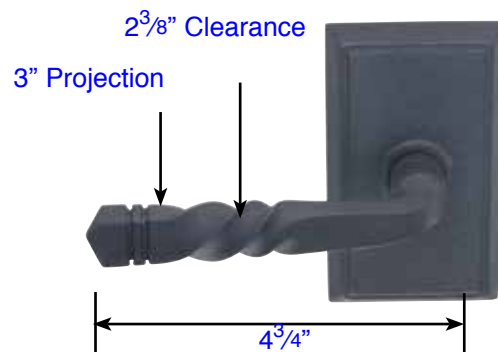
Lafayette (L)



Normandy (N)



Harrisburg (HL)



San Carlos (SC)

Door Thickness Specifications

- Standard Door Thickness: 1<sup>3</sup>/<sub>8</sub>"- 2"
- Standard Components:
  - Privacy Pin (for privacy sets)
  - Inside Passage Half Spindle
  - 1<sup>1</sup>/<sub>2</sub>" Rosette Screws
  - Full-Lip Strike Plate

- **Extended** Door Thickness: 2"- 2<sup>1</sup>/<sub>4</sub>"
- Extended Components:
  - Privacy Pin w/ Extension (for privacy sets)
  - Long Inside Passage Half Spindle
  - 2" Rosette Screws
  - Extended Full-Lip Strike Plate

- **Extended** Door Thickness: 2<sup>1</sup>/<sub>4</sub>"- 3"
- Extended Components:
  - Privacy Pin w/ Extension (for privacy sets)
  - Extra Long Inside Passage Half Spindle
  - 2<sup>1</sup>/<sub>2</sub>" Rosette Screws
  - Extended Full-Lip Strike Plate