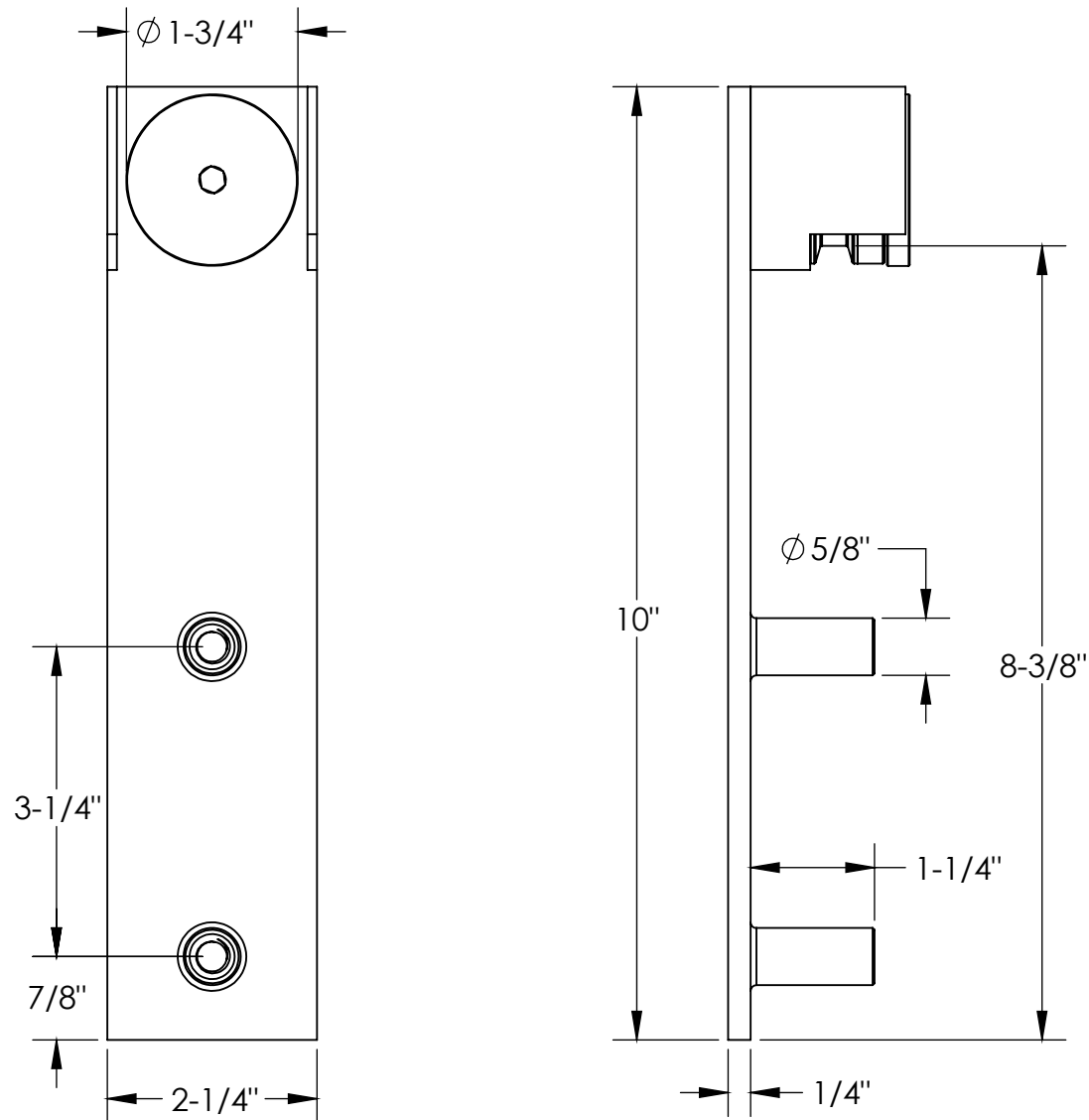
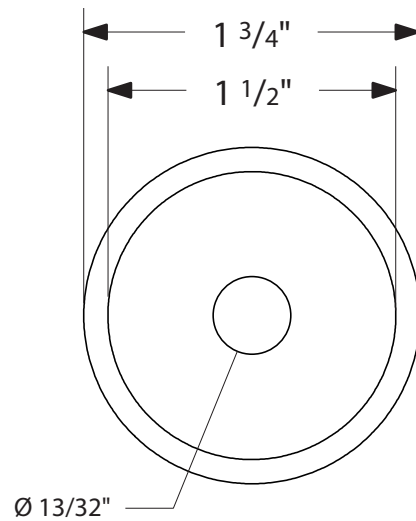


# BARN DOOR HARDWARE - LOW PROFILE CONCEALED WHEEL

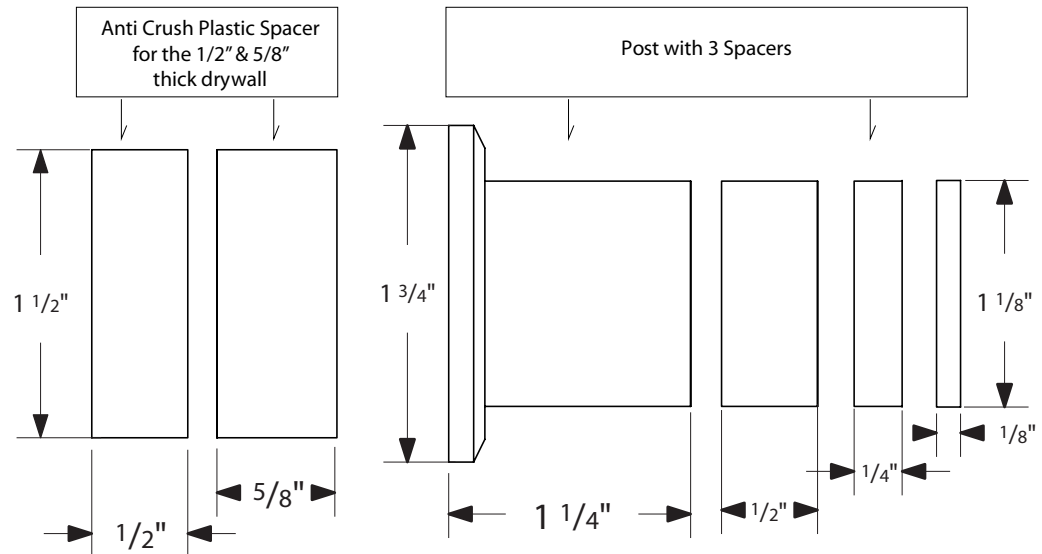
EMTEK®



The wall or structure that your system will be mounted on must be designed to support a maximum door weight of 400 lbs.

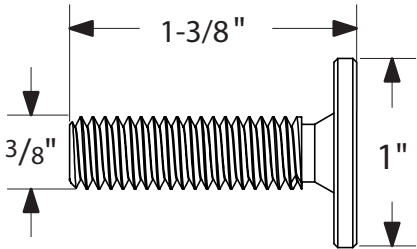


Post & Spacer

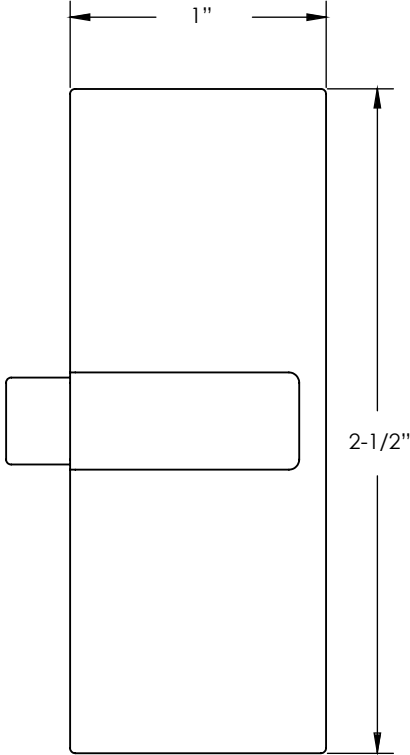
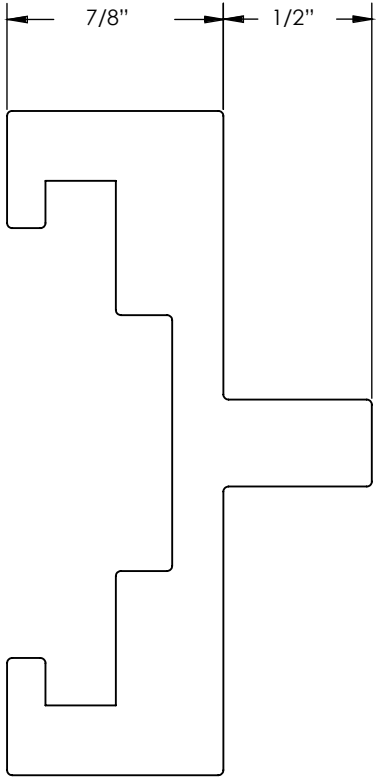


Without a counterbore, the door thickness is 1-3/8" to 2-1/4"

The wall or structure that your system will be mounted on must be designed to support a maximum door weight of 400 lbs.

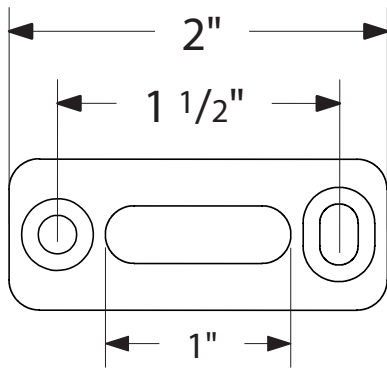


Hanger Screw

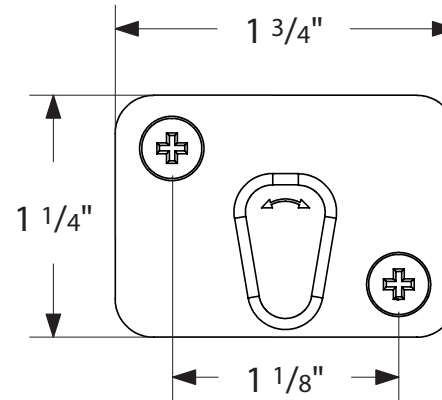
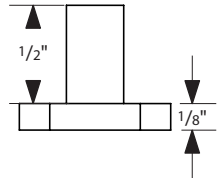


Track Stop

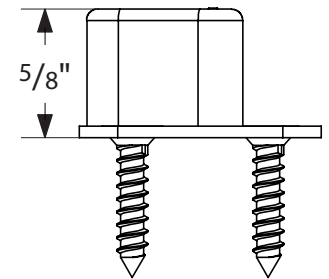
The wall or structure that your system will be mounted on must be designed to support a maximum door weight of 400 lbs.



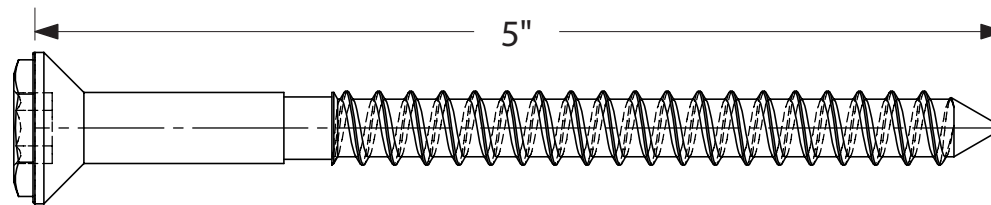
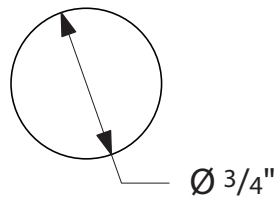
Floor Guide



Anti-Jump



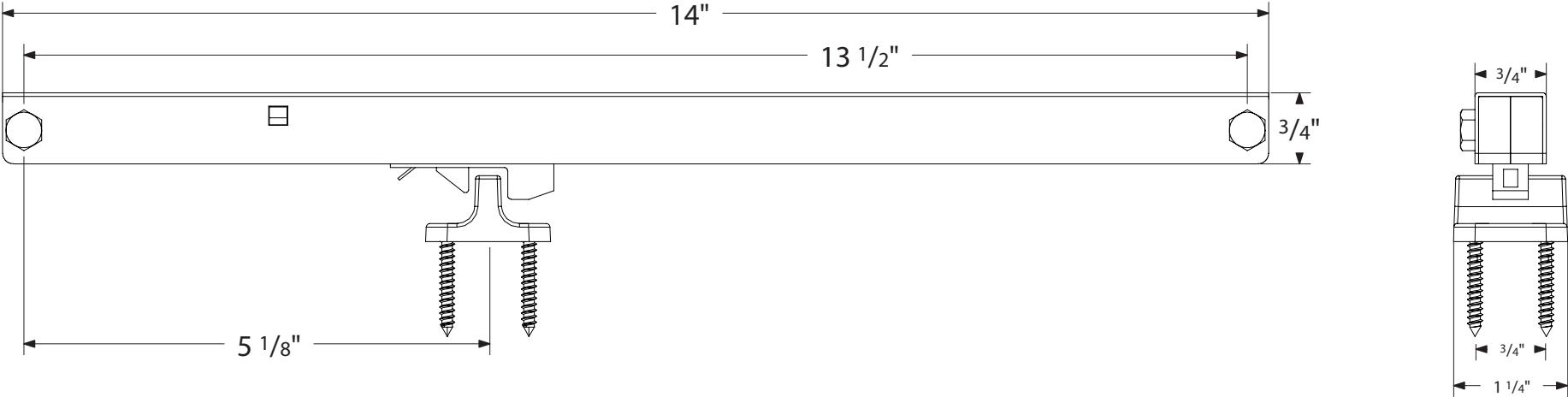
HEX 5/16 X .200 DEEP



Track Screw

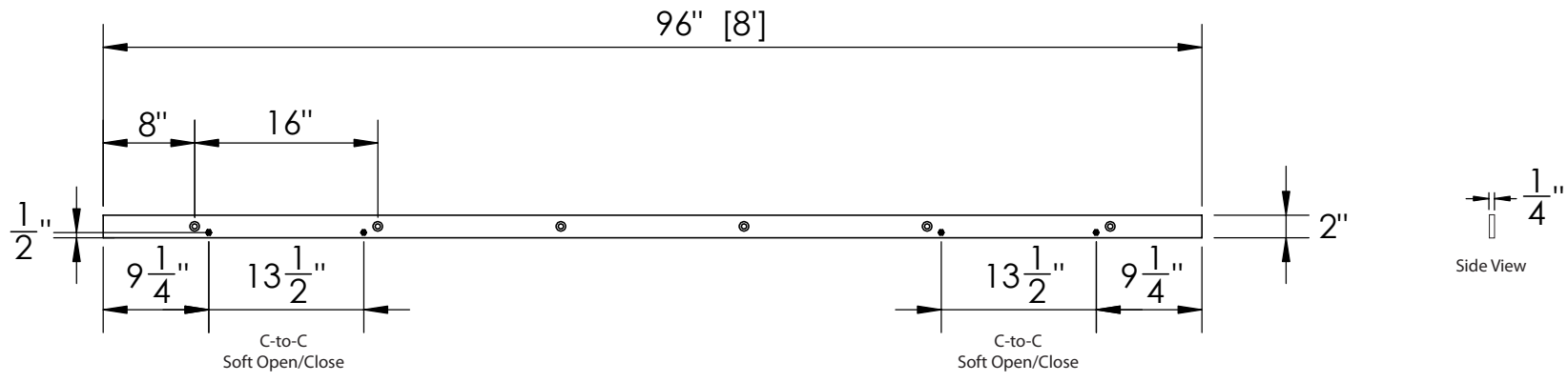
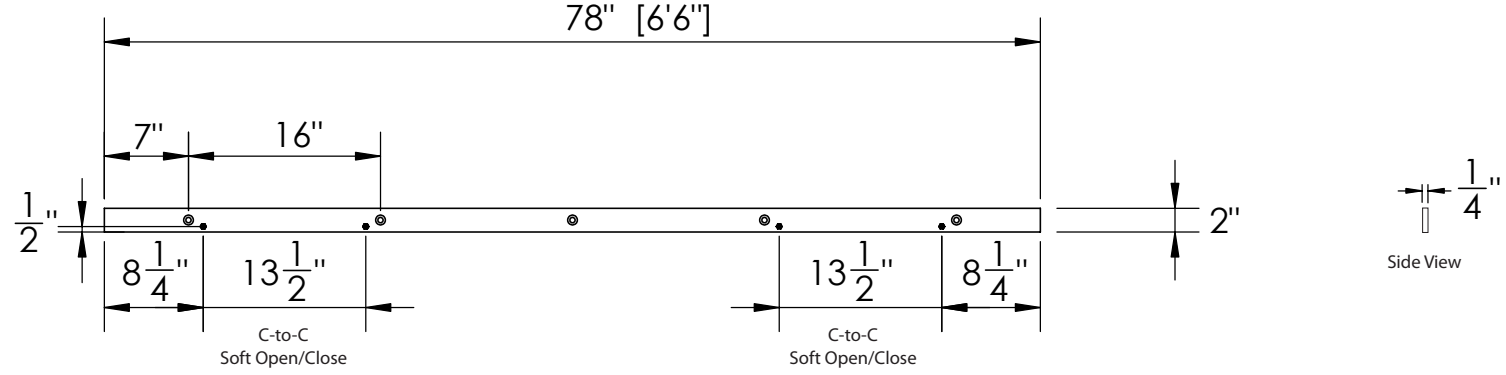
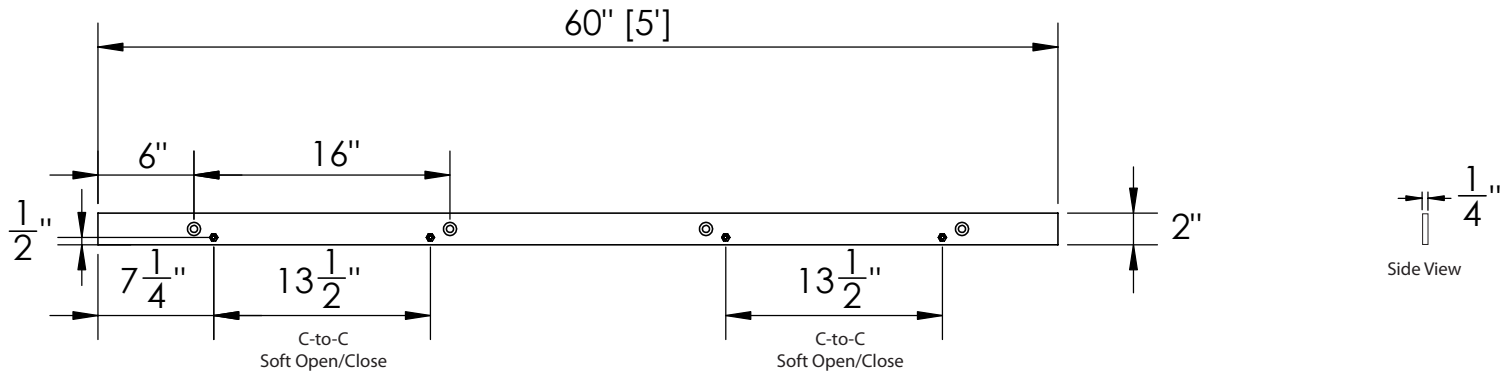
The wall or structure that your system will be mounted on must be designed to support a maximum door weight of 400 lbs.

# BARN DOOR HARDWARE - LOW PROFILE CONCEALED WHEEL



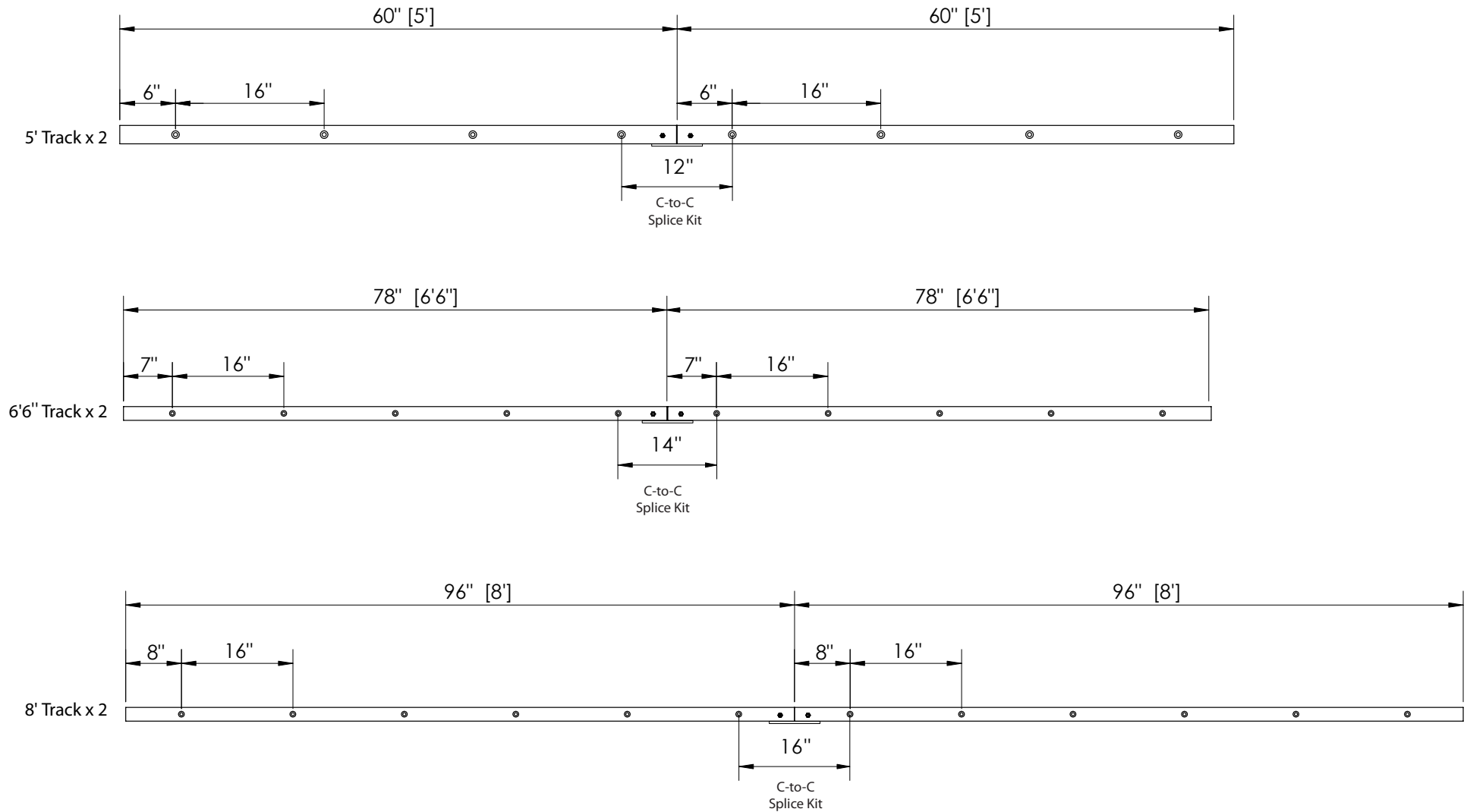
The wall or structure that your system will be mounted on must be designed to support a maximum door weight of 400 lbs.

# BARN DOOR HARDWARE - LOW PROFILE CONCEALED WHEEL



The wall or structure that your system will be mounted on must be designed to support a maximum door weight of 400 lbs.

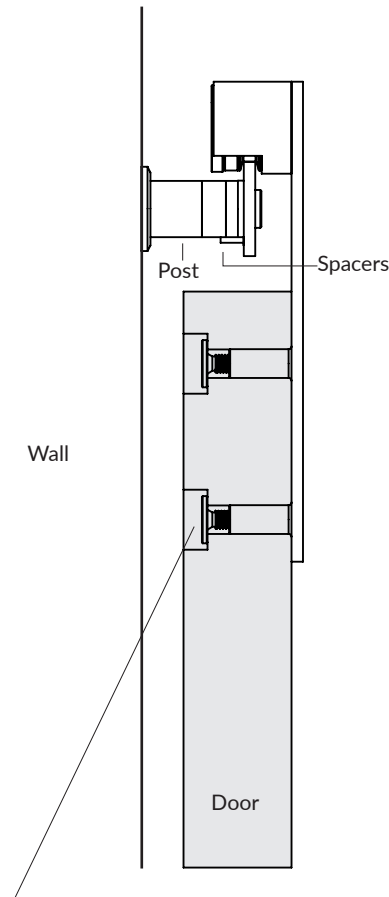
# BARN DOOR HARDWARE - LOW PROFILE CONCEALED WHEEL



The wall or structure that your system will be mounted on must be designed to support a maximum door weight of 400 lbs.

DOOR THICKNESS 1-3/8" to 2-1/4"\*

*\*Up to 2-3/4" thickness can be achieved with use of a counter-bore*



Counterbore for thick doors

The wall or structure that your system will be mounted on must be designed to support a maximum door weight of 400 lbs.