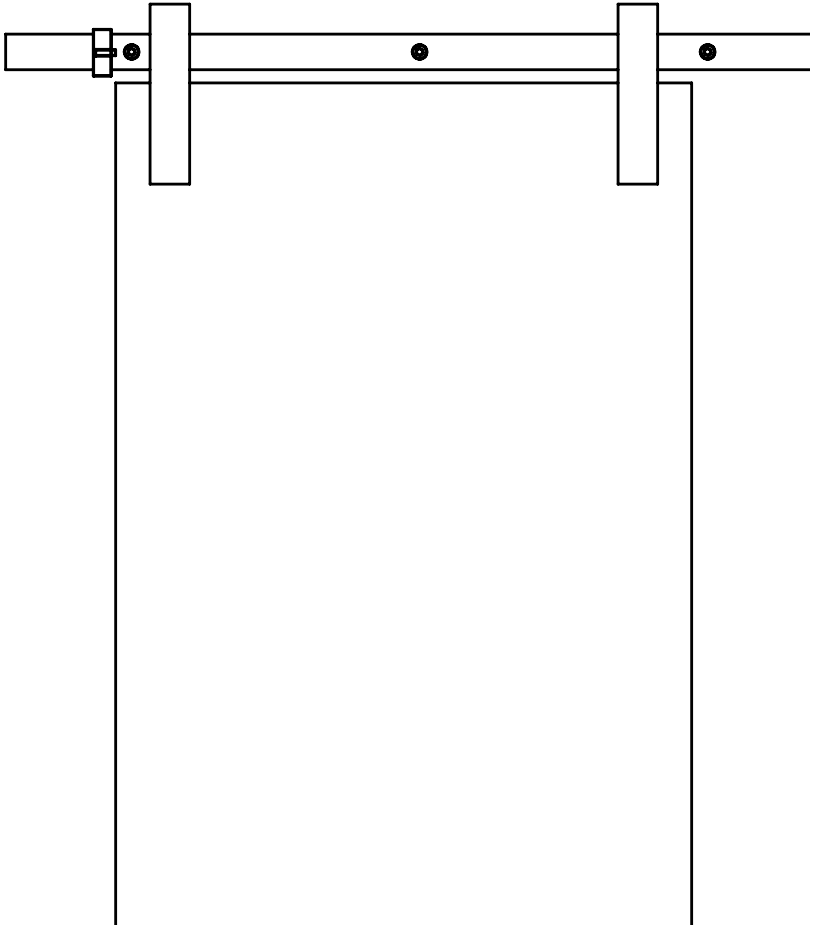


LOW PROFILE BARN DOOR HARDWARE

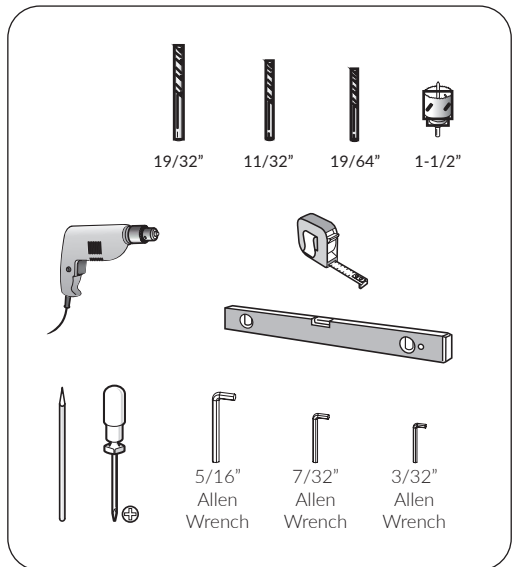
Installation Instructions



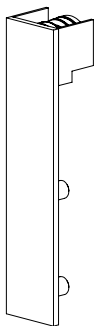
General Info

- The wall or structure that your system will be mounted on must be designed to support a maximum door weight of 400 lbs.
- Ensure that door panels are constructed with solid, structural material.
- Do not install directly into drywall. Must be installed into wall blocking or header board.
- Check with your contractor and/or your city of residence to confirm accordance with local building codes.
- For best results, seek qualified building professionals for installation.

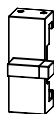
Tools Required



What's in the box



Hanger



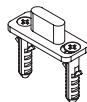
Stop



3/8-16 Hex Hanger Screw



Anti-jump



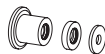
Floor Guide



Track Fastener



Drywall Anti-Crushing Rings

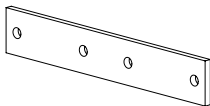


Post & Spacer



Track

Splice Kit (Required for 10', 13' or 16' Lengths)

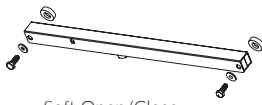


Bracket



Splice Kit Screws

Optional Soft Open/Close



Soft Open/Close

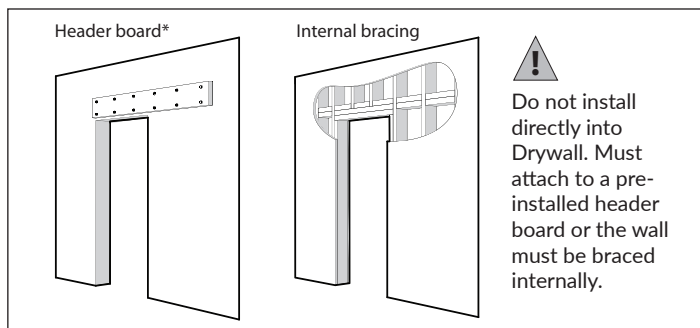


Catch

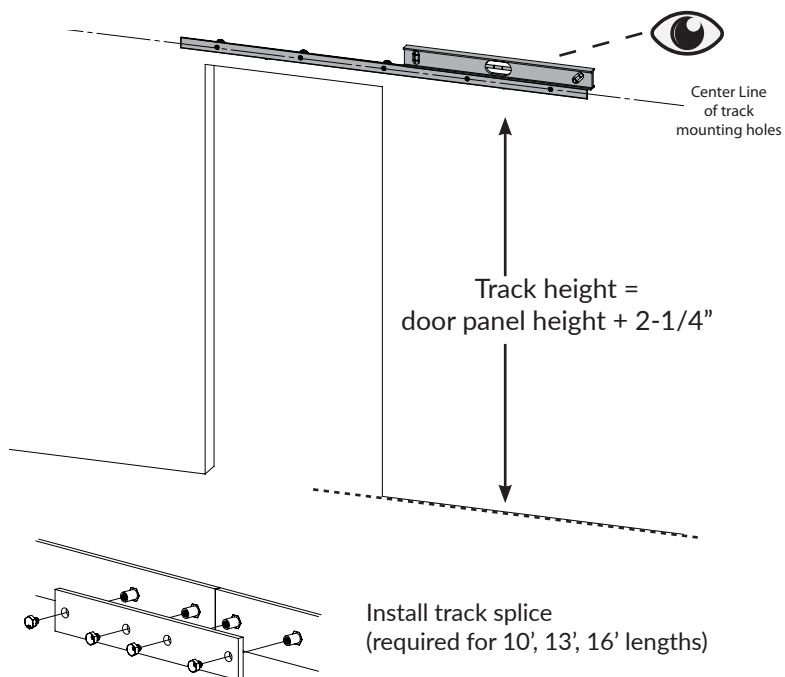
1

Mark for Track

Use the track as a template to mark the center of the holes. Tracks with splice kits have a unique hole spacing between splice.



*Header board and anchor screws not included.



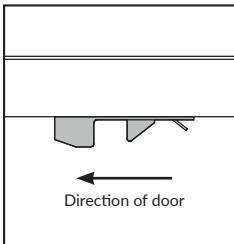
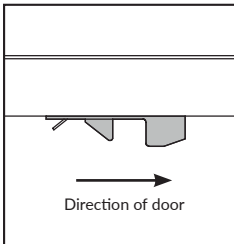
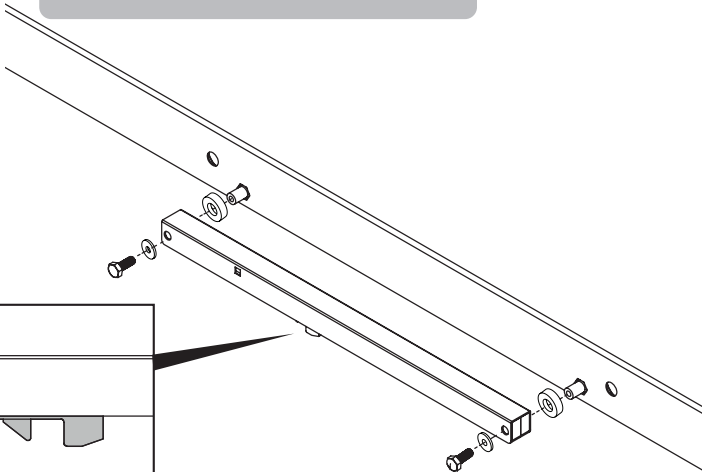
Install track splice
(required for 10', 13', 16' lengths)

2

Install Optional Soft Open/Close - Part 1



Mount the soft open/close on the bottom of the track and ensure that it is oriented in the correct direction for operation.



3

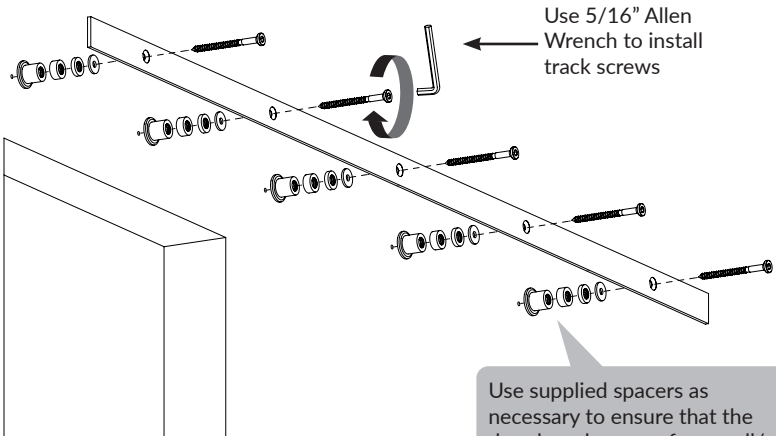
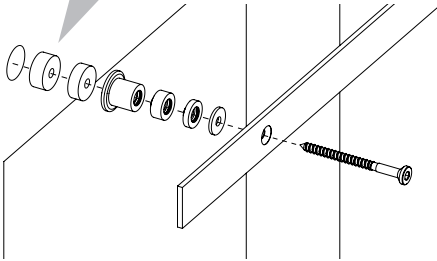
Secure Track

Drill 19/64" [7.54mm] pilot holes in marked locations for track fasteners.

Attach track to wall using track brackets and fasteners as shown.



Use supplied anti-crush discs if installing to an internally braced wall. **NEVER** attach directly to drywall.



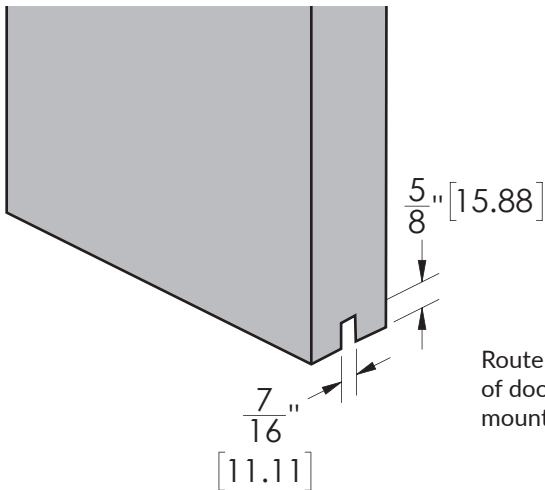
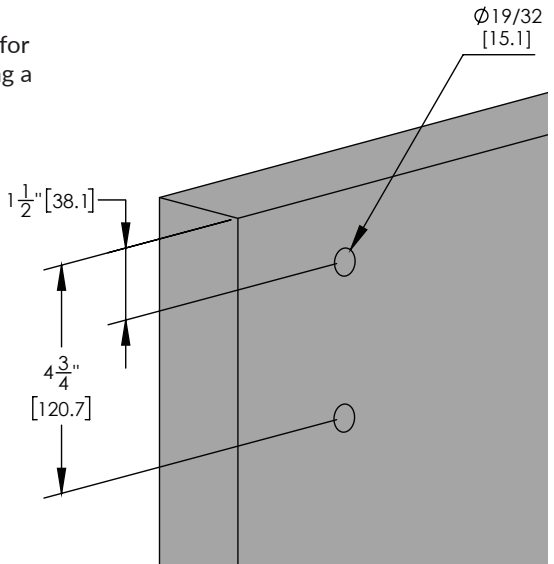
Use 5/16" Allen Wrench to install track screws

Use supplied spacers as necessary to ensure that the door has clearance from wall/ moldings.

4

Prep Door for Hangers & Floor Guide

Drill Holes in door for hanger bolt by using a $\frac{19}{32}$ " bit.

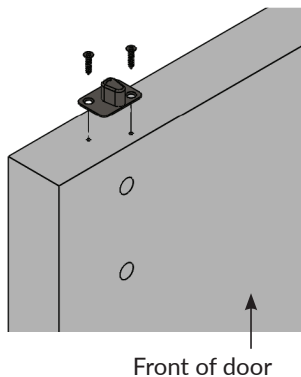


Route bottom, full length of door to receive floor mounted guide.

5

Install Anti-Jump

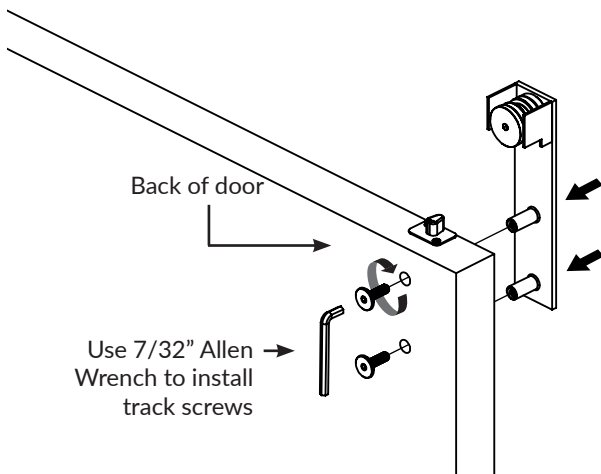
Install anti-jump flush to front of door.



6

Mount Hangers to Door

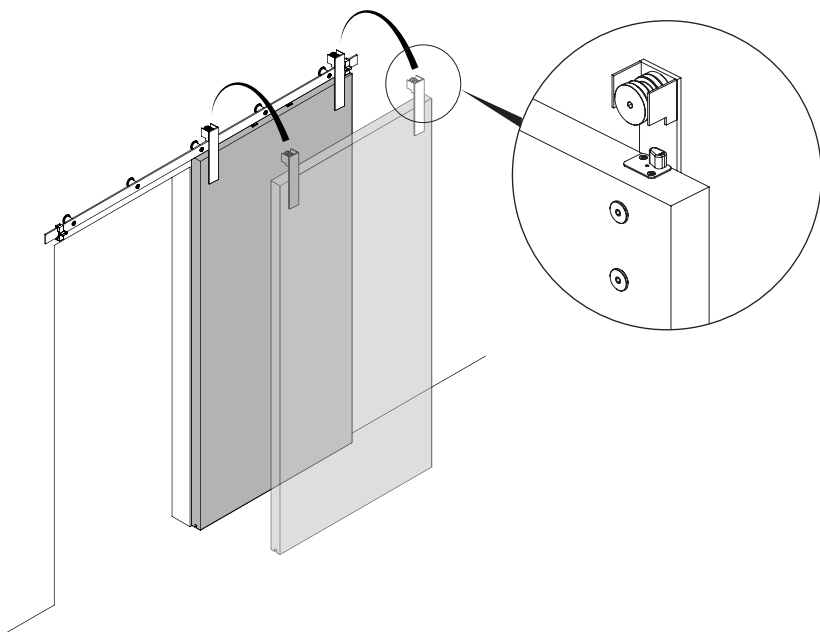
Tip: You may need to counterbore the back of the door for thick door applications.



7

Hang the Door

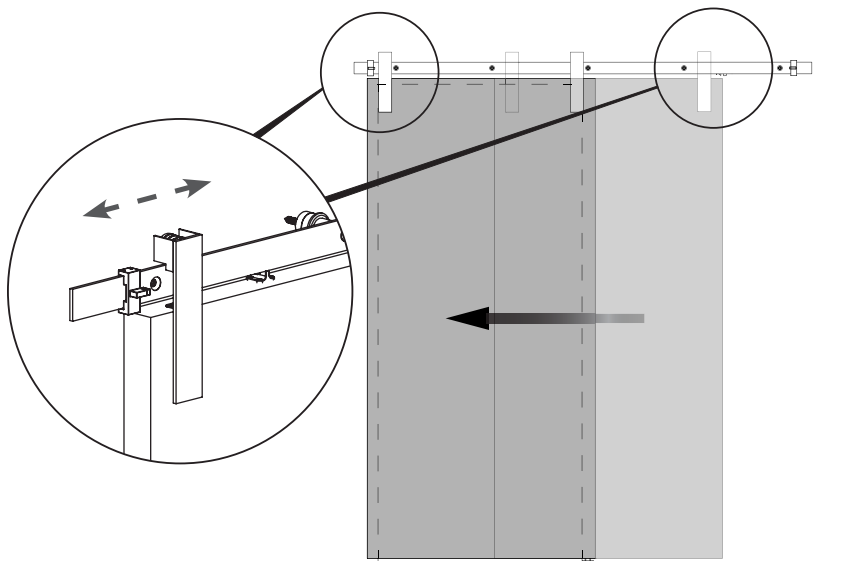
Prior to hanging door on track rotate anti-jump toward front face of door as shown to disengage.



8

Adjust the Stops

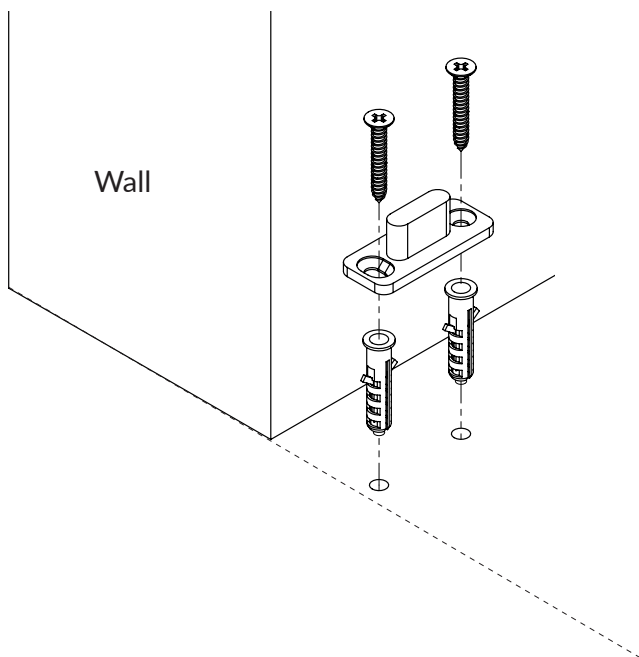
Tighten set screws. Start with bottom set screws then move to top set screws with sufficient force to drive set screws into bar after final adjustment. Ensure the stops allow for the door to extend the desired length over the door opening. Adjust stops accordingly.



9

Install Floor Guide

Drill pilot holes for anchors using 11/32" drill bit. Mount floor guide with anchors and screws provided.

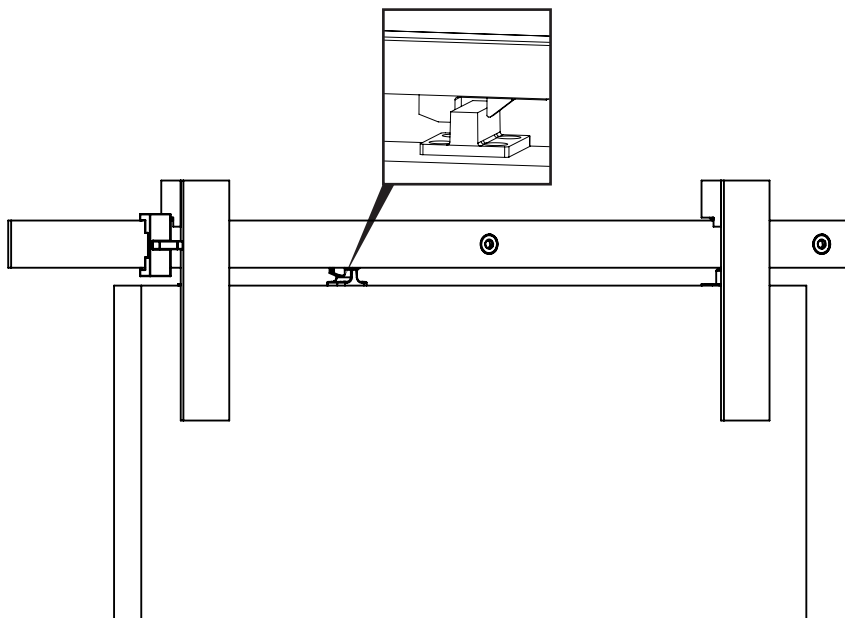


Tip: Install floor guide in a position where it won't be exposed with door in the open or closed position.

10

Install Optional Soft Open/Close - Part 2

1. Move door to desired stop location.
2. Place soft catch under soft open/close as shown.
3. Mark location of soft catch.
4. Remove door from track
5. Install soft catch at marked location
6. Hang door on track



IN4-BARNLOWCF

REV 1 01-08-24

Copyright © 2024, EMTEK Products. All rights reserved. Reproduction in whole or in part without the express written permission of EMTEK Products is prohibited.

⚠ WARNING: This product can expose you to chemicals including lead, which is known to the state of California to cause cancer and birth defects or other reproductive harm. For more information go to www.P65Warnings.ca.gov.