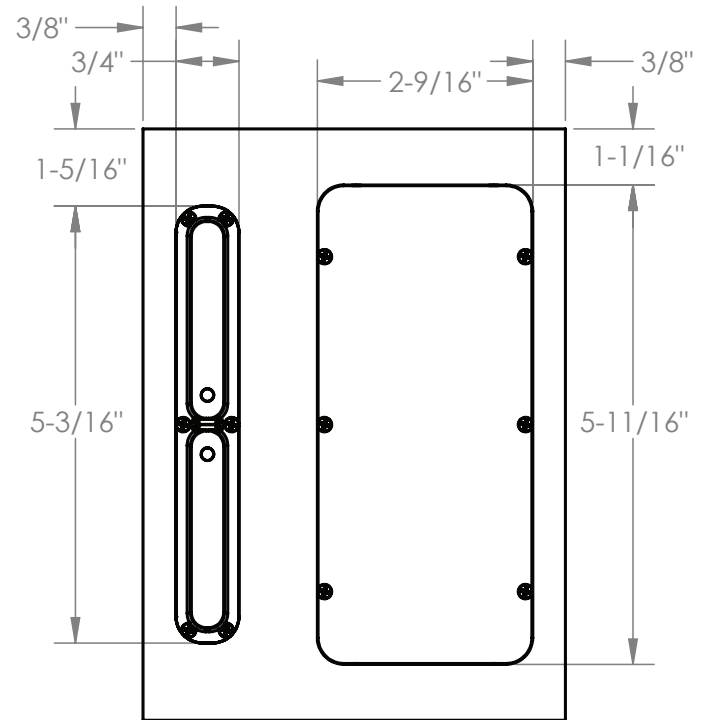
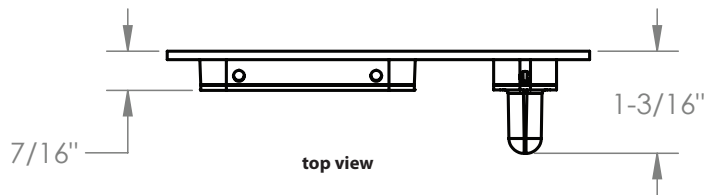


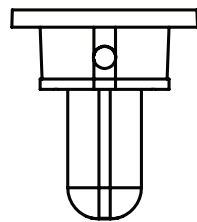
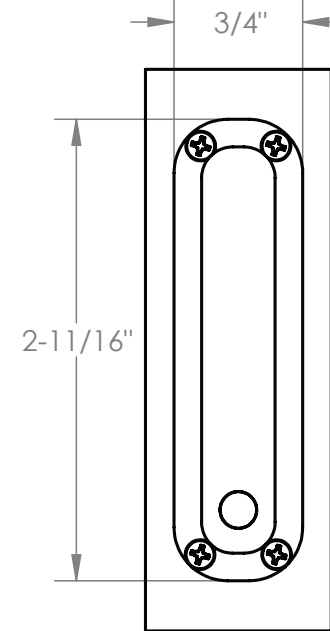
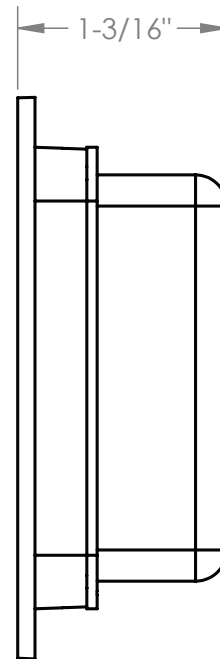
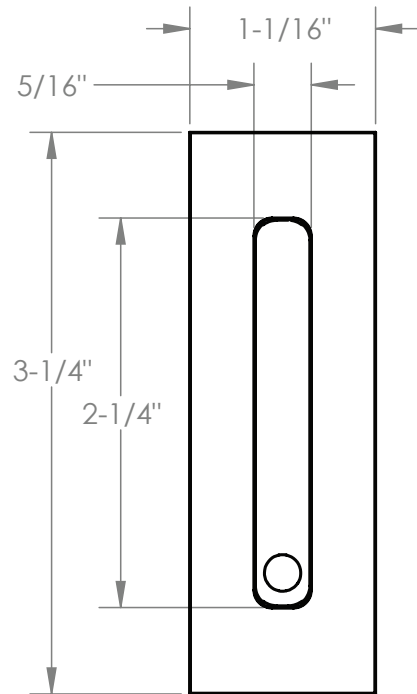
side view



back view



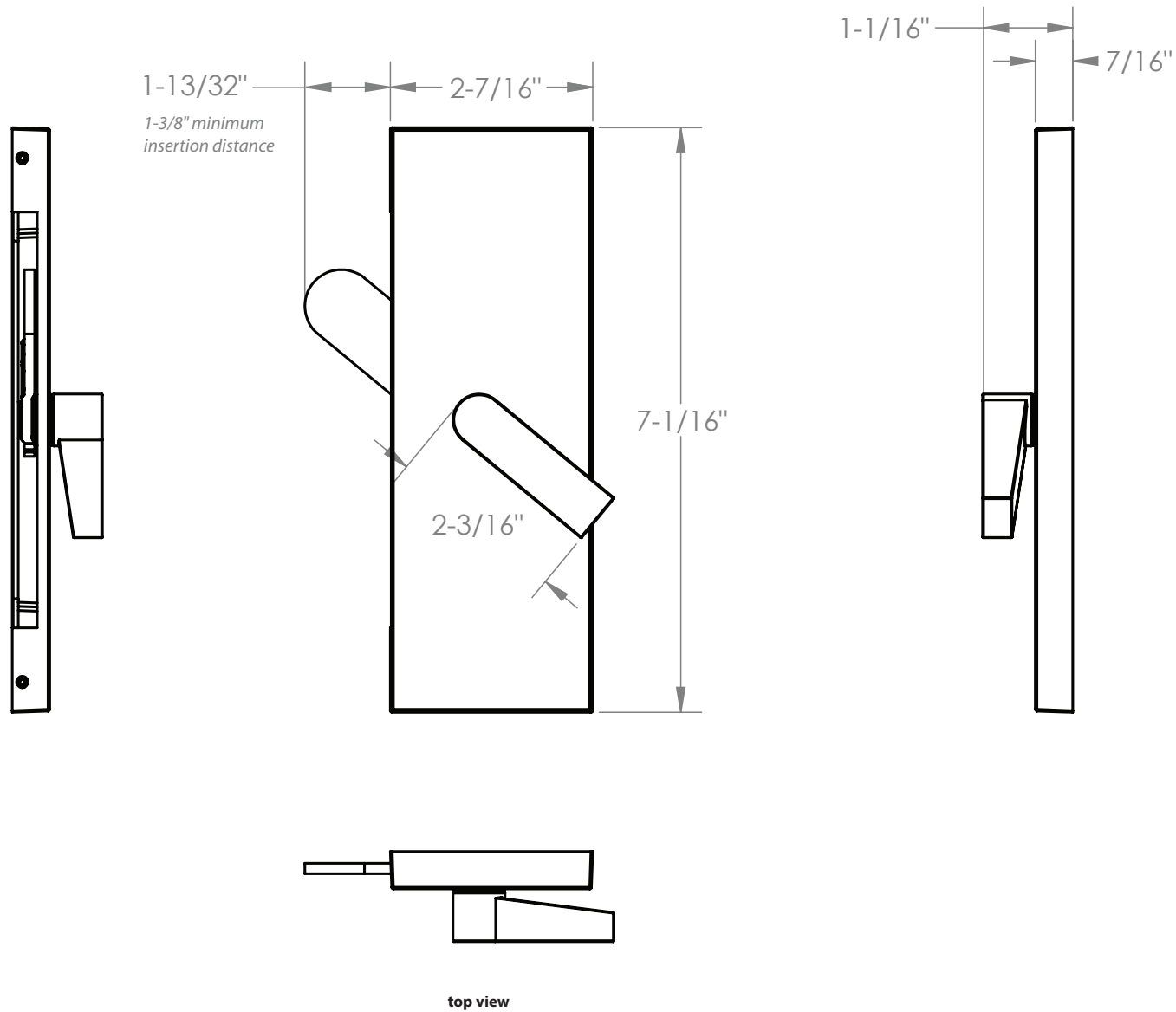
top view

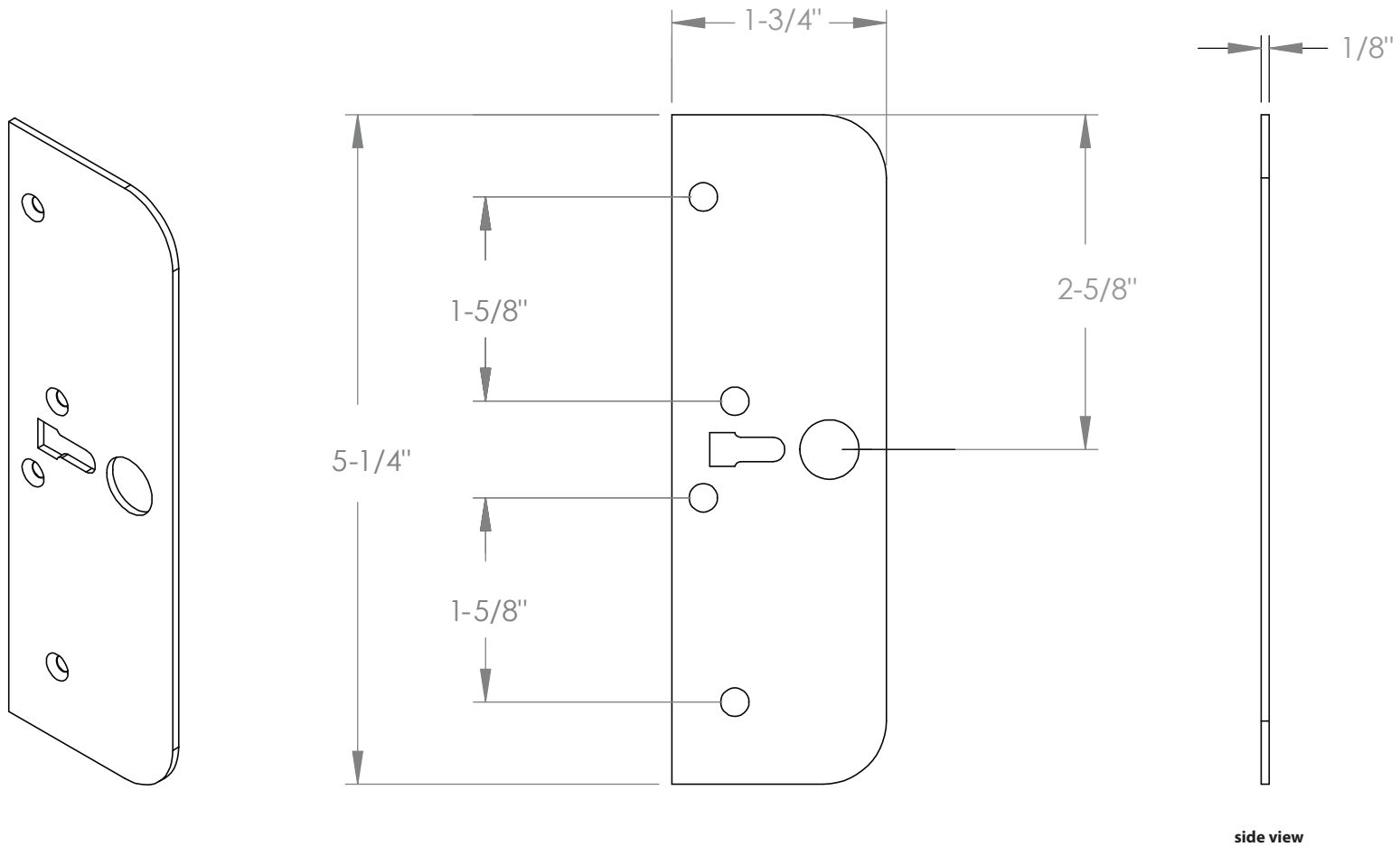


side view

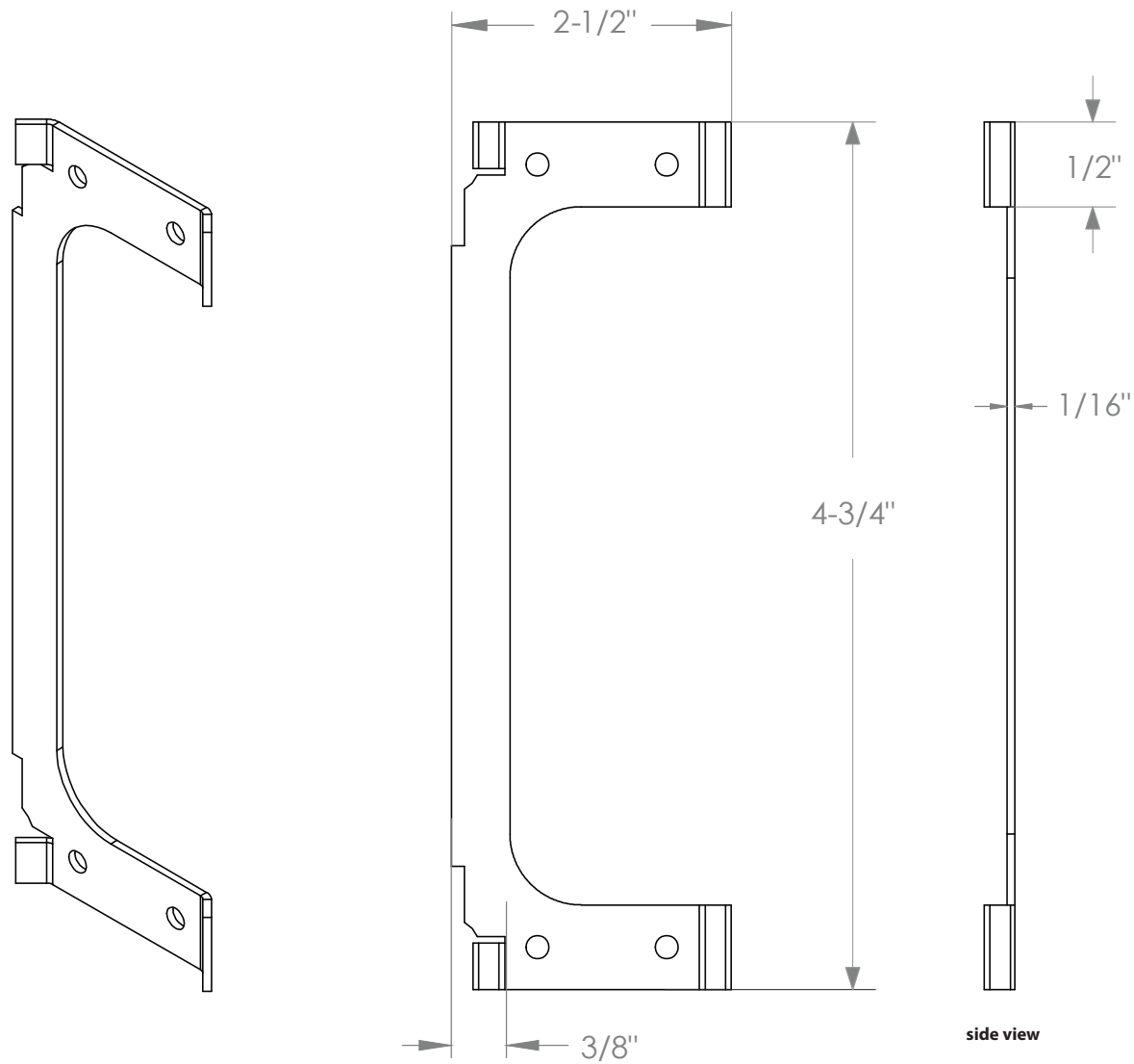
back view

top view





*Note: For general info only. Not drawn to scale. Do not use as a drilling template.



*Note: For general info only. Not drawn to scale. Do not use as a drilling template.