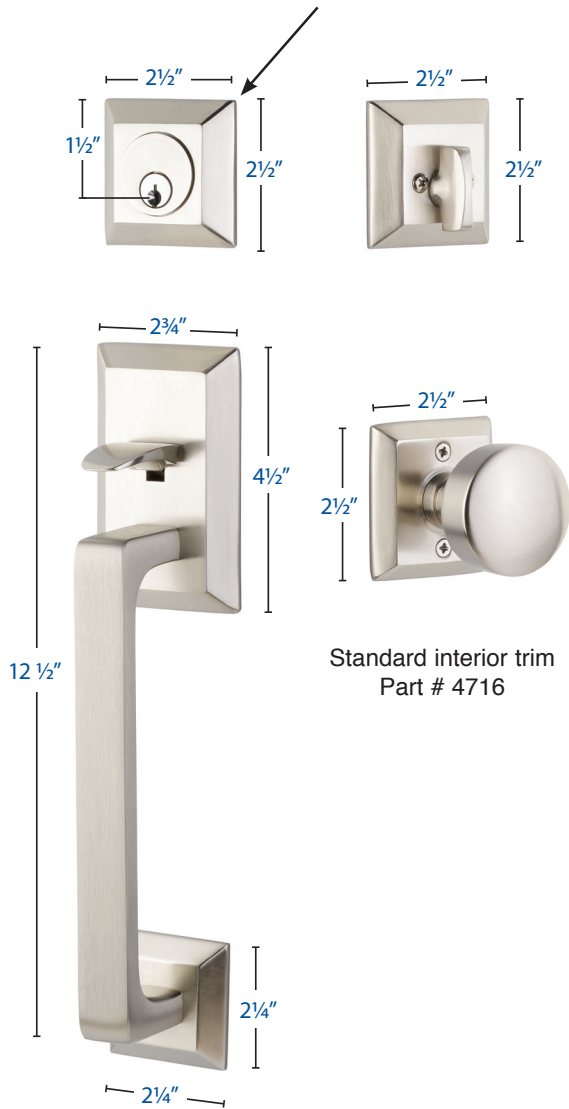
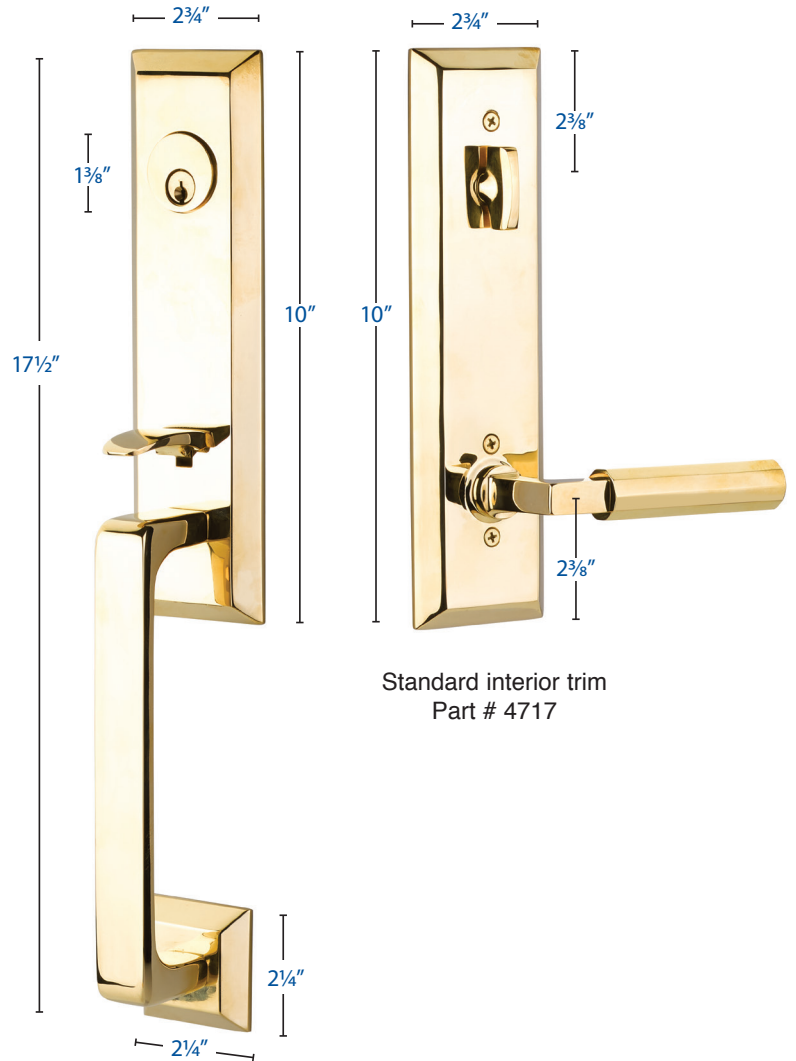


Deadbolt Plate Thickness:  $\frac{5}{16}$ "



Transitional Heritage  
Sectional  
Part # 4716



Transitional Heritage  
Monolithic  
Part # 4717

**Additional Dimensions: (Part # 4716)**

- Exterior Projection is  $2\frac{1}{16}$ "
- Interior Projection Depends on Handle Style
- Interior Deadbolt Projection  $1\frac{1}{4}$ "
- Overall Grip thickness:  $1\frac{5}{16}$ "
- Clearance between door & grip is  $1\frac{1}{16}$ "
- Plates thickness:  $\frac{1}{2}$ "

*Same Dimensions for  
Double Cylinder & Dummy Function*

**Additional Dimensions: (Part # 4717)**

- Exterior Projection is  $2\frac{1}{16}$ "
- Interior Projection Depends on Handle Style
- Overall Grip thickness:  $1\frac{5}{16}$ "
- Clearance between door & grip is  $1\frac{1}{16}$ "
- Plates thickness:  $\frac{1}{2}$ "

*Same Dimensions for  
Double Cylinder & Dummy Function*

## Brass Tubular Entryset Sectional, Single Cylinder

Transitional Heritage (4716), Baden (4820), Ares (4817)

- Standard Door Thickness: 1-3/4"- 2-1/8"

Standard Components:

- 1-1/2" Rosette Screws
- Single Cylinder Tailpiece
- Outside Entry Spindle
- Inside Passage Half Spindle
- 2-1/4" Deadbolt Mounting Screws
- Full-Lip Strike Plate
- Deadbolt Strike Plate

- **Extended** Door Thickness: 2-1/4"- 2-5/8"
- **Extended** Door Thickness: 2-5/8"- 3"

Extended Components:

- 2" Rosette Screws
- Long Single Cylinder Tailpiece
- Long Outside Entry Spindle
- Long Inside Passage Half Spindle
- 3" Deadbolt Mounting Screws
- Spindle Extensions
- Extended Full-Lip Strike Plate
- Deadbolt Strike Plate

Extended Components:

- 2-1/2" Rosette Screws
- Extra Long Single Cylinder Tailpiece
- Long Outside Entry Spindle
- Extra Long Inside Passage Half Spindle
- 3-1/2" Deadbolt Mounting Screws
- Spindle Extensions
- Extended Full-Lip Strike Plate
- Deadbolt Strike Plate

## Brass Tubular Entryset Sectional, Double Cylinder

Transitional Heritage (4726), Baden (4830), Ares (4827),

- Standard Door Thickness: 1-5/8"- 2-1/8"

Standard Components:

- 1-1/2" Rosette Screws
- Double Cylinder Tailpiece
- Outside Entry Spindle
- Inside Passage Half Spindle
- 2-1/4" & 2-1/2" Deadbolt Mounting Screws
- Full-Lip Strike Plate
- Deadbolt Strike Plate

- **Extended** Door Thickness: 2-1/4"- 2-5/8"
- **Extended** Door Thickness: 2-5/8"- 2-7/8"

Extended Components:

- 2" Rosette Screws
- Long Double Cylinder Tailpiece
- Long Outside Entry Spindle
- Long Inside Passage Half Spindle
- 3" Deadbolt Mounting Screws
- Spindle Extensions
- Extended Full-Lip Strike Plate
- Deadbolt Strike Plate

Extended Components:

- 2-1/2" Rosette Screws
- Extra Long Double Cylinder Tailpiece
- Long Outside Entry Spindle
- Extra Long Inside Passage Half Spindle
- 3-1/2" Deadbolt Mounting Screws
- Spindle Extensions
- Extended Full-Lip Strike Plate
- Deadbolt Strike Plate

## Brass Tubular Entryset Monolithic & Full Length, Single Cylinder

Transitional Heritage (4717), Davos (4818), Lausanne (4819), Apollo (4815), Orion (4816), Zeus (4814)

- Standard Door Thickness: 1<sup>3</sup>/<sub>4</sub>"- 2<sup>1</sup>/<sub>8</sub>"

Standard Components:

- 1<sup>1</sup>/<sub>2</sub>" Rosette Screws
- Single Cylinder Tailpiece
- Outside Entry Spindle
- Inside Passage Half Spindle
- 2<sup>1</sup>/<sub>4</sub>" Deadbolt Mounting Screws
- Full-Lip Strike Plate
- Deadbolt Strike Plate

- **Extended** Door Thickness: 2<sup>1</sup>/<sub>4</sub>"- 2<sup>1</sup>/<sub>2</sub>"
- **Extended** Door Thickness: 2<sup>1</sup>/<sub>2</sub>"- 3"

Extended Components:

- 2" Rosette Screws
- Long Single Cylinder Tailpiece
- Long Outside Entry Spindle
- Long Inside Passage Half Spindle
- 3" Deadbolt Mounting Screws
- Spindle Extensions
- Extended Full-Lip Strike Plate
- Deadbolt Strike Plate

Extended Components:

- 2<sup>1</sup>/<sub>2</sub>" Rosette Screws
- Extra Long Single Cylinder Tailpiece
- Long Outside Entry Spindle
- Extra Long Inside Passage Half Spindle
- 3" Deadbolt Mounting Screws
- Spindle Extensions
- Extended Full-Lip Strike Plate
- Deadbolt Strike Plate

## Brass Tubular Entryset Monolithic & Full Length, Double Cylinder

Transitional Heritage (4727), Davos (4828), Lausanne (4829), Apollo (4825), Orion (4826), Zeus (4824)

- Standard Door Thickness: 1<sup>3</sup>/<sub>4</sub>"- 2"

Standard Components:

- 1<sup>1</sup>/<sub>2</sub>" Rosette Screws
- Double Cylinder Tailpiece
- Outside Entry Spindle
- Inside Passage Half Spindle
- 2<sup>1</sup>/<sub>4</sub>" Deadbolt Mounting Screws
- Full-Lip Strike Plate
- Deadbolt Strike Plate

- **Extended** Door Thickness: 2"- 2<sup>5</sup>/<sub>8</sub>"

Extended Components:

- 2" Rosette Screws
- Long Double Cylinder Tailpiece
- Long Outside Entry Spindle
- Long Inside Passage Half Spindle
- 3" Deadbolt Mounting Screws
- Spindle Extensions
- Extended Full-Lip Strike Plate
- Deadbolt Strike Plate

- **Extended** Door Thickness: 2<sup>5</sup>/<sub>8</sub>"- 2<sup>7</sup>/<sub>8</sub>"

Extended Components:

- 2<sup>1</sup>/<sub>2</sub>" Rosette Screws
- Long Double Cylinder Tailpiece
- Long Outside Entry Spindle
- Extra Long Inside Passage Half Spindle
- 3<sup>1</sup>/<sub>2</sub>" Deadbolt Mounting Screws
- Spindle Extensions
- Extended Full-Lip Strike Plate
- Deadbolt Strike Plate

\* Part # DB4-COLLAR32 Available for 1<sup>3</sup>/<sub>8</sub>" Thick Doors

TS-TE REV18 09/20/2019