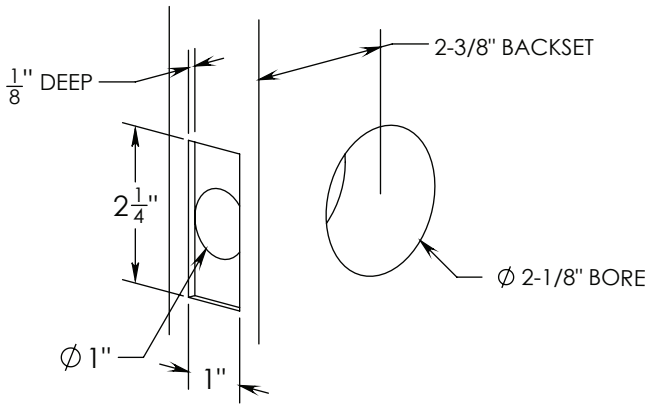


Installation Instructions

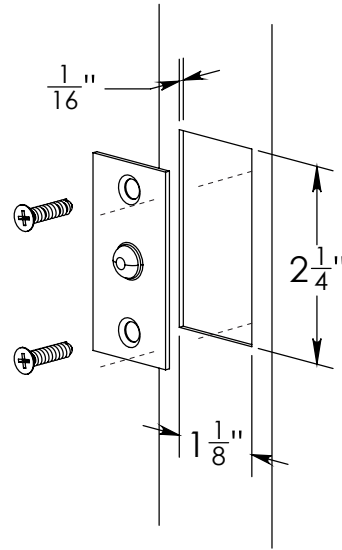
Tubular Pocket Door Lock, Passage Function

EMTEK®

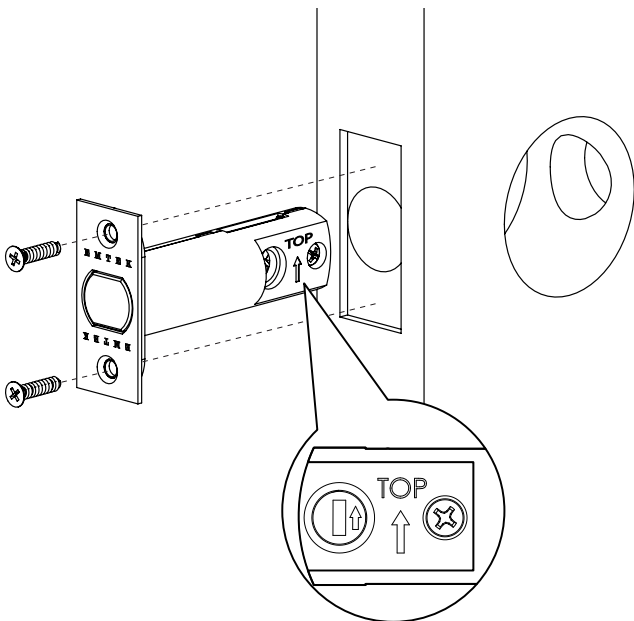
1. Door Prep



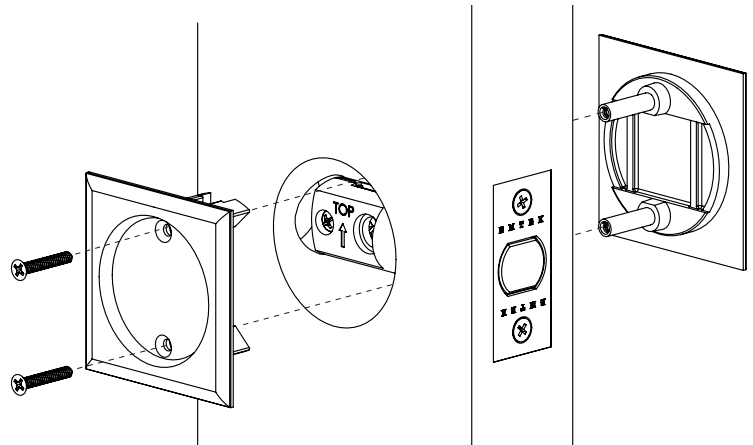
2. Jamb Prep



3. Install Latch



4. Install Interior and Exterior Trims



Trims vary depending on style