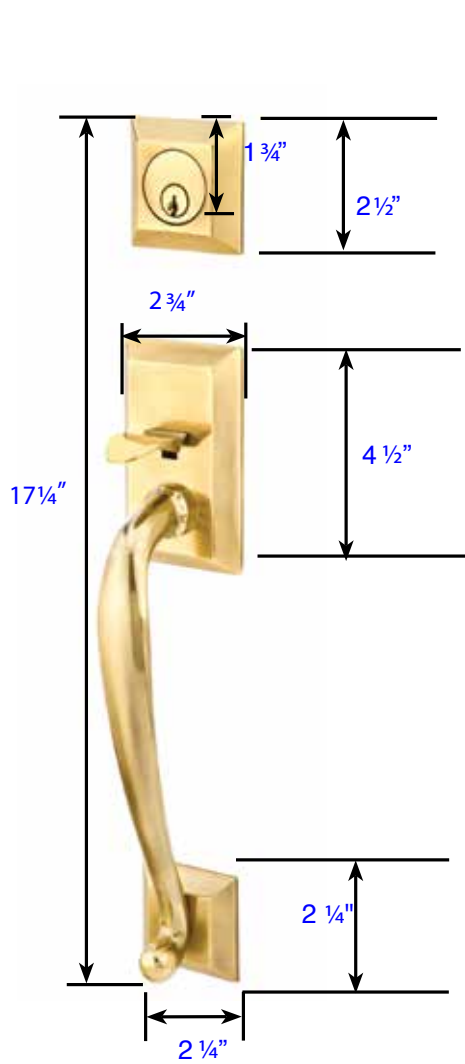


Jefferson Trim Style  
Part # 4415/4425

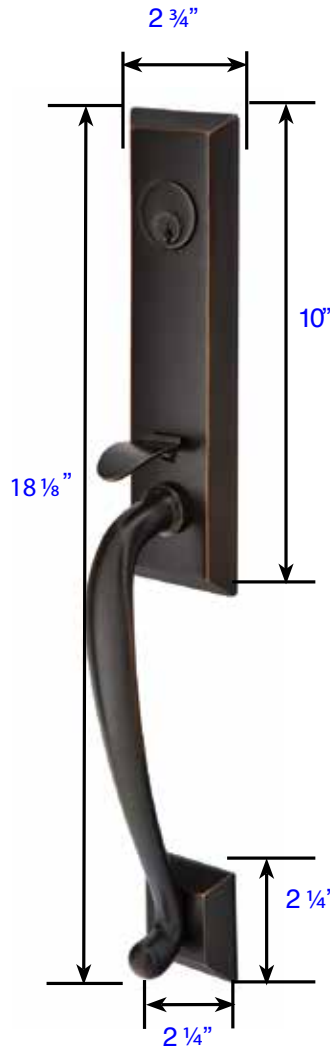
**Additional Dimensions: (Part # 4415/4425)**

- Exterior Projection is 2 3/4"
- Interior Projection Depends on Handle Style
- Overall Grip thickness: 1 1/4"
- Clearance between door & grip is 2"
- Plates thickness: 1/2"

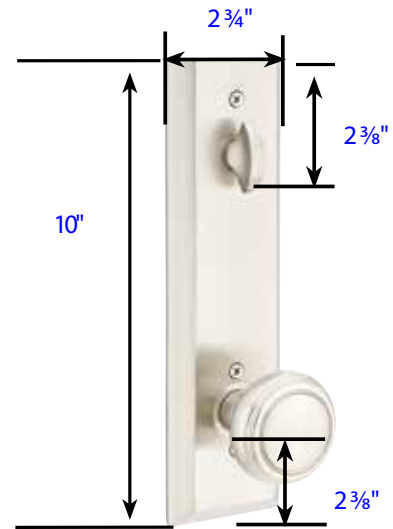
***Same Dimensions for Dummy Function***



Franklin Style  
Part # 4413/4423



Adams Style  
Part # 4414/4424



Standard interior trim  
Part # 4415

**Additional Dimensions: (Part # 4413/4423)**

- Exterior Projection is 2 1/16"
- Interior Projection Depends on Handle Style
- Overall Grip thickness: 1 1/4"
- Clearance between door & grip is 2"
- Standard Interior trim dimensions same as 8108, 8466, 8366
- Plates thickness: 1/2"

**Same Dimensions for Dummy Function**

**Additional Dimensions: (Part # 4414/4424)**

- Exterior Projection is 2 1/16"
- Interior Projection Depends on Handle Style
- Overall Grip thickness: 1 1/4"
- Clearance between door & grip is 2"
- Plates thickness: 1/2"

**Same Dimensions for Dummy Function**

Door Thickness Specifications - Tubular Entrance Handlesets

**Brass Tubular Entryset Sectional, Single Cylinder**

Saratoga (4410), Knoxville (4310), Hamden (4213), Nashville (4312), Franklin (4413)

<p>• Standard Door Thickness: 1<sup>3</sup>/<sub>4</sub>" - 2<sup>1</sup>/<sub>8</sub>"</p> <p>Standard Components:</p> <ul style="list-style-type: none"> <li>• 1<sup>1</sup>/<sub>2</sub>" Rosette Screws</li> <li>• Single Cylinder Tailpiece</li> <li>• Outside Entry Spindle</li> <li>• Inside Passage Half Spindle</li> <li>• 2<sup>1</sup>/<sub>4</sub>" Deadbolt Mounting Screws</li> <li>• Full-Lip Strike Plate</li> <li>• Deadbolt Strike Plate</li> </ul>	<p>• <b>Extended</b> Door Thickness: 2<sup>1</sup>/<sub>4</sub>" - 2<sup>5</sup>/<sub>8</sub>"</p> <p>Extended Components:</p> <ul style="list-style-type: none"> <li>• 2" Rosette Screws</li> <li>• Long Single Cylinder Tailpiece</li> <li>• Long Outside Entry Spindle</li> <li>• Long Inside Passage Half Spindle</li> <li>• 3" Deadbolt Mounting Screws</li> <li>• Spindle Extensions</li> <li>• Extended Full-Lip Strike Plate</li> <li>• Deadbolt Strike Plate</li> </ul>	<p>• <b>Extended</b> Door Thickness: 2<sup>5</sup>/<sub>8</sub>" - 3"</p> <p>Extended Components:</p> <ul style="list-style-type: none"> <li>• 2<sup>1</sup>/<sub>2</sub>" Rosette Screws</li> <li>• Extra Long Single Cylinder Tailpiece</li> <li>• Long Outside Entry Spindle</li> <li>• Extra Long Inside Passage Half Spindle</li> <li>• 3<sup>1</sup>/<sub>2</sub>" Deadbolt Mounting Screws</li> <li>• Spindle Extensions</li> <li>• Extended Full-Lip Strike Plate</li> <li>• Deadbolt Strike Plate</li> </ul>
---	--	---

**Brass Tubular Entryset Sectional, Double Cylinder**

Saratoga (4420), Knoxville (4320), Hamden (4223), Nashville (4322), Franklin (4423)

<p>• Standard Door Thickness: 1<sup>5</sup>/<sub>8</sub>" - 2<sup>1</sup>/<sub>8</sub>"</p> <p>Standard Components:</p> <ul style="list-style-type: none"> <li>• 1<sup>1</sup>/<sub>2</sub>" Rosette Screws</li> <li>• Double Cylinder Tailpiece</li> <li>• Outside Entry Spindle</li> <li>• Inside Passage Half Spindle</li> <li>• 2<sup>1</sup>/<sub>4</sub>" &amp; 2<sup>1</sup>/<sub>2</sub>" Deadbolt Mounting Screws</li> <li>• Full-Lip Strike Plate</li> <li>• Deadbolt Strike Plate</li> </ul>	<p>• <b>Extended</b> Door Thickness: 2<sup>1</sup>/<sub>4</sub>" - 2<sup>5</sup>/<sub>8</sub>"</p> <p>Extended Components:</p> <ul style="list-style-type: none"> <li>• 2" Rosette Screws</li> <li>• Long Double Cylinder Tailpiece</li> <li>• Long Outside Entry Spindle</li> <li>• Long Inside Passage Half Spindle</li> <li>• 3" Deadbolt Mounting Screws</li> <li>• Spindle Extensions</li> <li>• Extended Full-Lip Strike Plate</li> <li>• Deadbolt Strike Plate</li> </ul>	<p>• <b>Extended</b> Door Thickness: 2<sup>5</sup>/<sub>8</sub>" - 2<sup>7</sup>/<sub>8</sub>"</p> <p>Extended Components:</p> <ul style="list-style-type: none"> <li>• 2<sup>1</sup>/<sub>2</sub>" Rosette Screws</li> <li>• Extra Long Double Cylinder Tailpiece</li> <li>• Long Outside Entry Spindle</li> <li>• Extra Long Inside Passage Half Spindle</li> <li>• 3<sup>1</sup>/<sub>2</sub>" Deadbolt Mounting Screws</li> <li>• Spindle Extensions</li> <li>• Extended Full-Lip Strike Plate</li> <li>• Deadbolt Strike Plate</li> </ul>
---	--	--

\* Part # DB4-COLLAR32 Available for 1<sup>3</sup>/<sub>8</sub>" Thick Doors

**Brass Tubular Entryset Monolithic & Full Length, Single Cylinder**

Marietta (4411), Marietta 6" (4412), Orleans (4311), Arts & Crafts (4811), Valley Forge (4111), Wilshire (4211), Wilmington (4314), Melrose (4212), Oval Ribbon & Reed (4714), Ribbon & Reed (4711), Imperial (4911), Zeus (4814), Richmond (4313), Adams (4414), Jefferson (4415)

<p>• Standard Door Thickness: 1<sup>3</sup>/<sub>4</sub>" - 2<sup>1</sup>/<sub>8</sub>"</p> <p>Standard Components:</p> <ul style="list-style-type: none"> <li>• 1<sup>1</sup>/<sub>2</sub>" Rosette Screws</li> <li>• Single Cylinder Tailpiece</li> <li>• Outside Entry Spindle</li> <li>• Inside Passage Half Spindle</li> <li>• 2<sup>1</sup>/<sub>4</sub>" Deadbolt Mounting Screws</li> <li>• Full-Lip Strike Plate</li> <li>• Deadbolt Strike Plate</li> </ul>	<p>• <b>Extended</b> Door Thickness: 2<sup>1</sup>/<sub>4</sub>" - 2<sup>1</sup>/<sub>2</sub>"</p> <p>Extended Components:</p> <ul style="list-style-type: none"> <li>• 2" Rosette Screws</li> <li>• Long Single Cylinder Tailpiece</li> <li>• Long Outside Entry Spindle</li> <li>• Long Inside Passage Half Spindle</li> <li>• 3" Deadbolt Mounting Screws</li> <li>• Spindle Extensions</li> <li>• Extended Full-Lip Strike Plate</li> <li>• Deadbolt Strike Plate</li> </ul>	<p>• <b>Extended</b> Door Thickness: 2<sup>1</sup>/<sub>2</sub>" - 3"</p> <p>Extended Components:</p> <ul style="list-style-type: none"> <li>• 2<sup>1</sup>/<sub>2</sub>" Rosette Screws</li> <li>• Extra Long Single Cylinder Tailpiece</li> <li>• Long Outside Entry Spindle</li> <li>• Extra Long Inside Passage Half Spindle</li> <li>• 3" Deadbolt Mounting Screws</li> <li>• Spindle Extensions</li> <li>• Extended Full-Lip Strike Plate</li> <li>• Deadbolt Strike Plate</li> </ul>
---	--	--

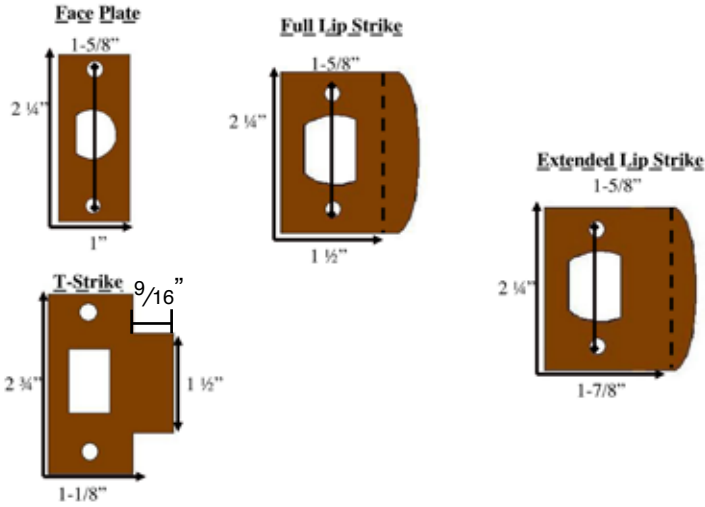
**Brass Tubular Entryset Monolithic & Full Length, Double Cylinder**

Marietta (4421), Marietta 6" (4422), Orleans (4321), Arts & Crafts (4821), Valley Forge (4121), Wilshire (4221), Wilmington (4324), Melrose (4212), Oval Ribbon & Reed (4724), Ribbon & Reed (4721), Imperial (4921), Zeus (4824), Richmond (4323), Adams (4424), Jefferson (4425)

<p>• Standard Door Thickness: 1<sup>3</sup>/<sub>4</sub>" - 2"</p> <p>Standard Components:</p> <ul style="list-style-type: none"> <li>• 1<sup>1</sup>/<sub>2</sub>" Rosette Screws</li> <li>• Double Cylinder Tailpiece</li> <li>• Outside Entry Spindle</li> <li>• Inside Passage Half Spindle</li> <li>• 2<sup>1</sup>/<sub>4</sub>" Deadbolt Mounting Screws</li> <li>• Full-Lip Strike Plate</li> <li>• Deadbolt Strike Plate</li> </ul>	<p>• <b>Extended</b> Door Thickness: 2" - 2<sup>5</sup>/<sub>8</sub>"</p> <p>Extended Components:</p> <ul style="list-style-type: none"> <li>• 2" Rosette Screws</li> <li>• Long Double Cylinder Tailpiece</li> <li>• Long Outside Entry Spindle</li> <li>• Long Inside Passage Half Spindle</li> <li>• 3" Deadbolt Mounting Screws</li> <li>• Spindle Extensions</li> <li>• Extended Full-Lip Strike Plate</li> <li>• Deadbolt Strike Plate</li> </ul>	<p>• <b>Extended</b> Door Thickness: 2<sup>5</sup>/<sub>8</sub>" - 2<sup>7</sup>/<sub>8</sub>"</p> <p>Extended Components:</p> <ul style="list-style-type: none"> <li>• 2<sup>1</sup>/<sub>2</sub>" Rosette Screws</li> <li>• Long Double Cylinder Tailpiece</li> <li>• Long Outside Entry Spindle</li> <li>• Extra Long Inside Passage Half Spindle</li> <li>• 3<sup>1</sup>/<sub>2</sub>" Deadbolt Mounting Screws</li> <li>• Spindle Extensions</li> <li>• Extended Full-Lip Strike Plate</li> <li>• Deadbolt Strike Plate</li> </ul>
--	---	--

\* Part # DB4-COLLAR32 Available for 1<sup>3</sup>/<sub>8</sub>" Thick Doors

Face and Strike Plates



Deadbolt Strike Plates

