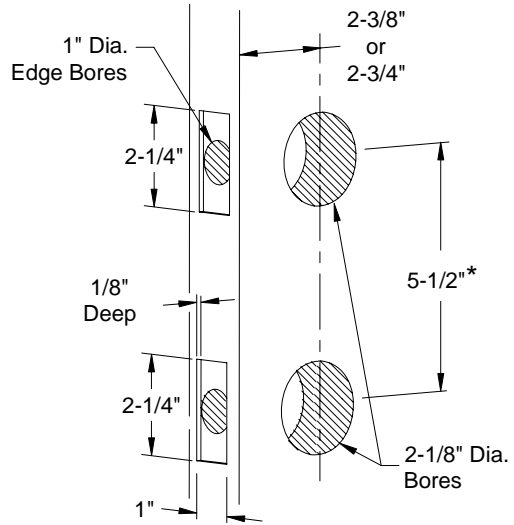


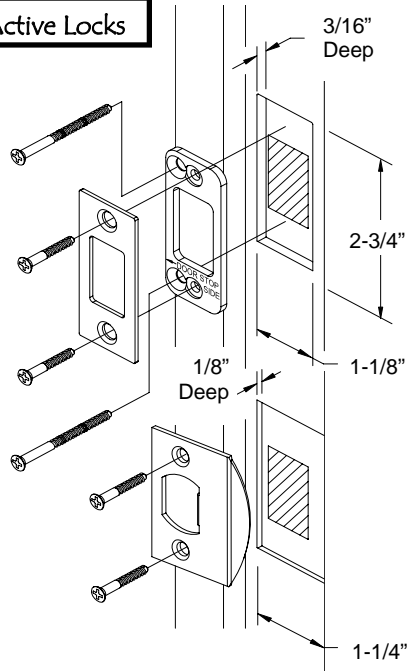
Installation Instructions-Tubular Monolithic Entry Set - Single Cylinder Deadbolt

Door Prep - Active Lock



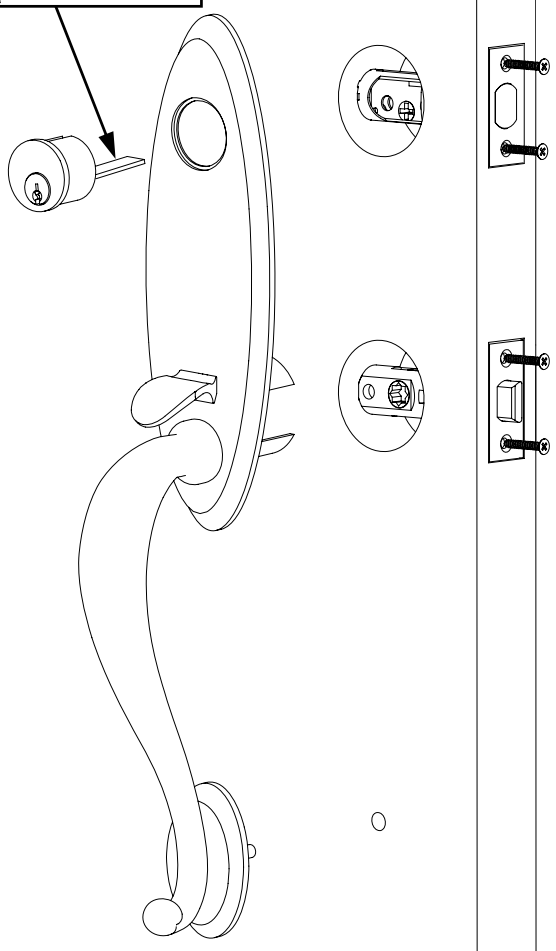
\* Marietta 6 style locks have 6" center to center bore spacing.

Door Jamb for Active Locks



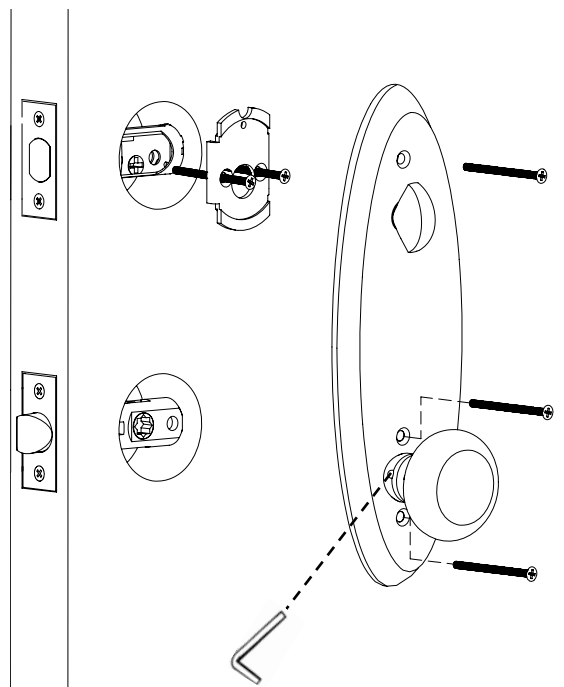
Outside Trim

Tailpiece Horizontal



Plates and grip vary depending on style.

Inside Trim



After lock has been installed tighten set screw with allen wrench.