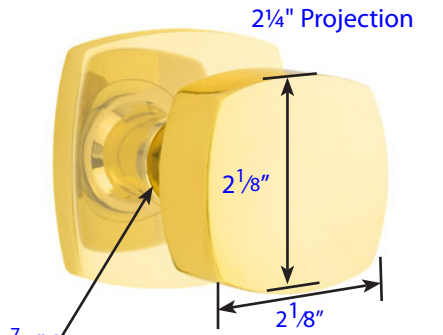


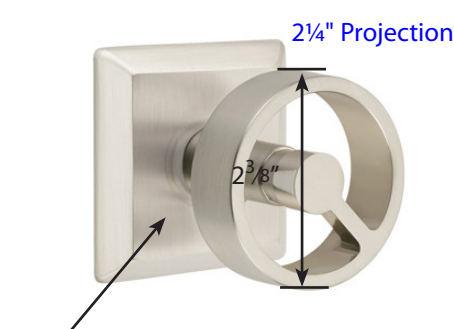
Bern (BN)
with Square Rosette



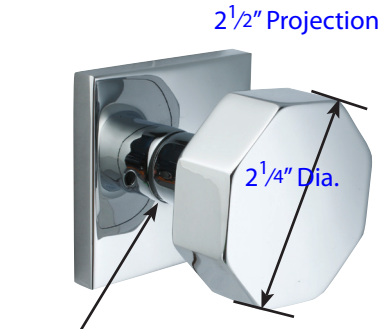
Urban Modern Freestone (FRK)
with Urban Modern Rosette



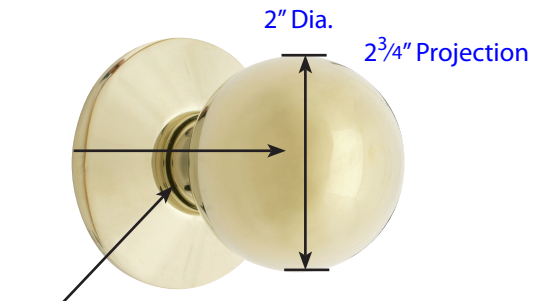
Laurent (LAU)
with Modern Rectangular Rosette



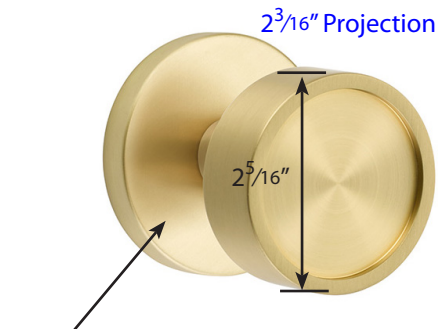
Spoke (SPK)
with Quincy Rosette



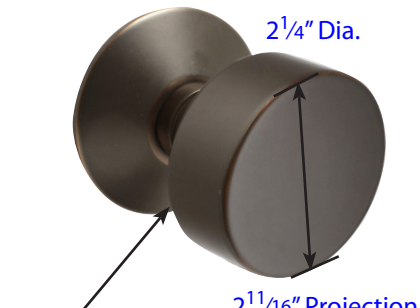
Octagon (OCT)
with Square Rosette



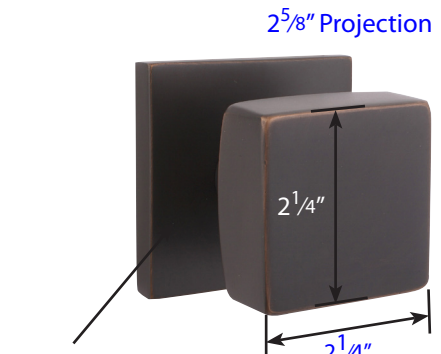
Orb (OR)
with Modern Rosette



Verve (VR)
with Disk Rosette



Round (ROU)
with Modern Rosette



Square (SQU)
with Square Rosette

See page 7 for rosette specification.

Door Thickness Specifications

- Standard Door Thickness: 1 1/4" - 2"
- Standard Components:
 - Privacy Pin (for privacy sets)
 - Inside Passage Half Spindle
 - 1 1/2" Rosette Screws
 - Full-Lip Strike Plate

- **Extended** Door Thickness: 2" - 2 1/2"
- Extended Components:
 - Privacy Pin w/ Extension (for privacy sets)
 - Long Inside Passage Half Spindle
 - 2" Rosette Screws
 - Extended Full-Lip Strike Plate

- **Extended** Door Thickness: 2 1/2" - 3"
- Extended Components:
 - Privacy Pin w/ Extension (for privacy sets)
 - Extra Long Inside Passage Half Spindle
 - 2 1/2" Rosette Screws
 - Extended Full-Lip Strike Plate