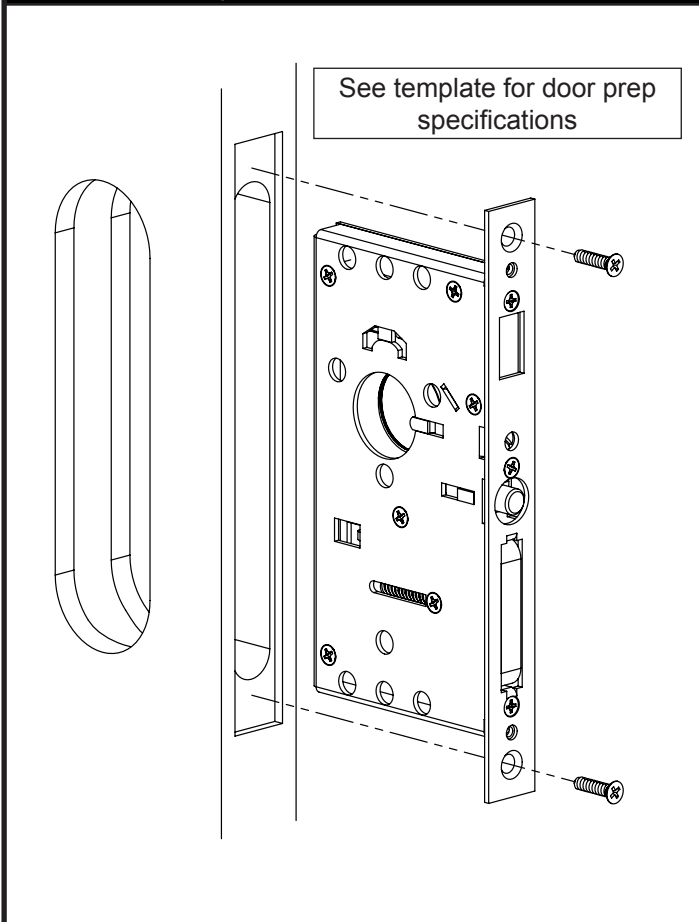
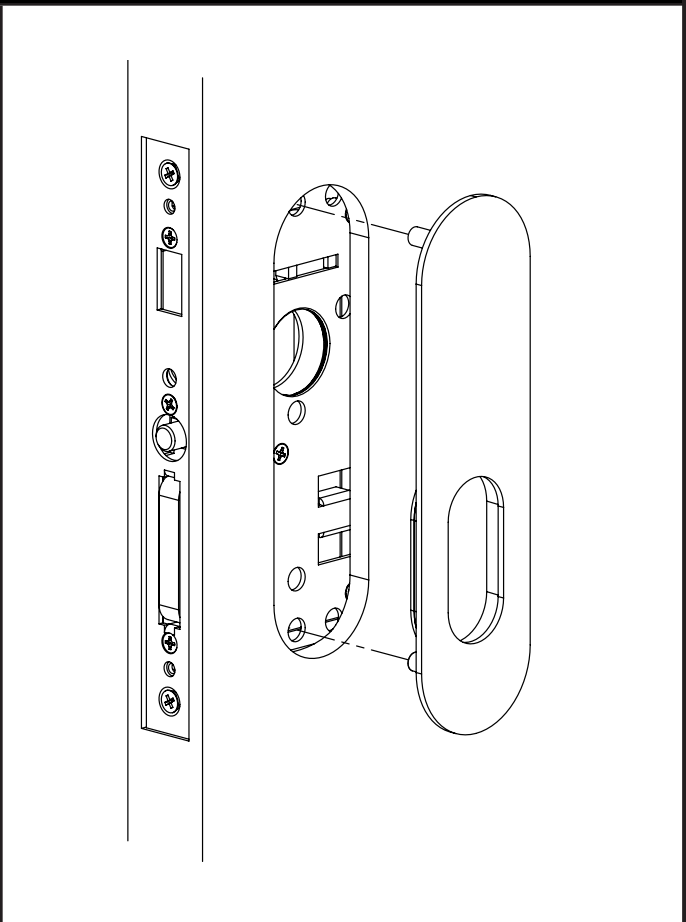


Installation Guide - Narrow Modern Rectangular and Oval Pocket Mortise Lock - Passage and Dummy

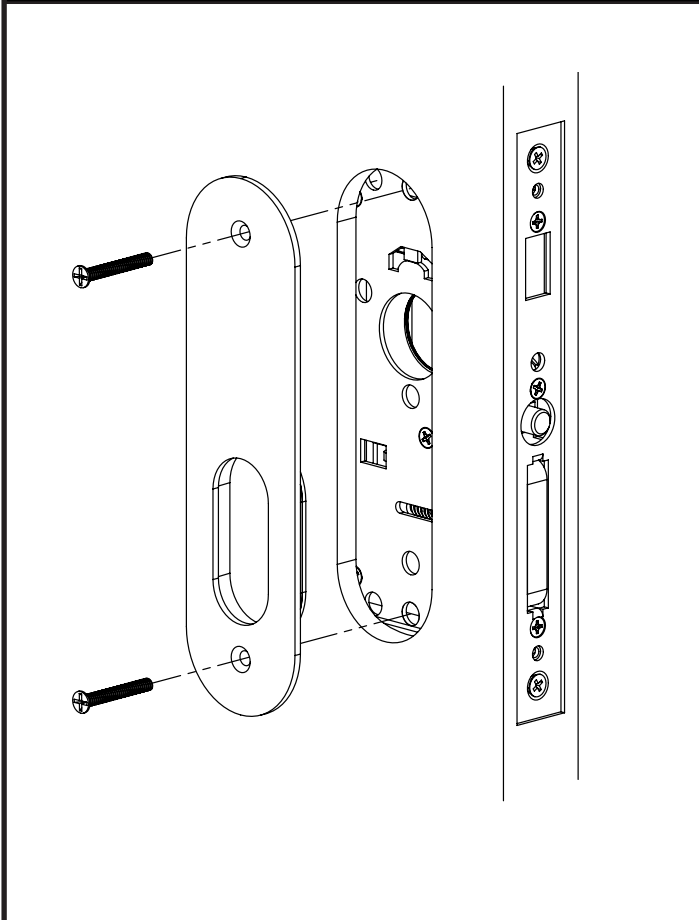
1. Install Lock Body



2. Install Outside Plate



3. Install Inside Plate



4. Install Trim Plate

