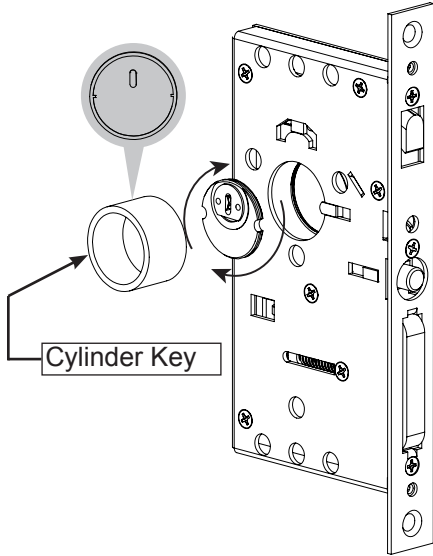


1. Thread Drive Bar Cylinder

Use Cylinder Key to thread Drive Bar Cylinder clockwise on interior side of door.

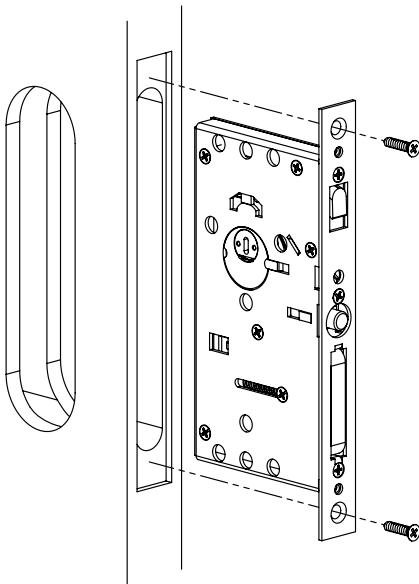
Note: Drive Bar Socket must be in the 12 o' clock position as shown.



Cylinder Key

Note: Notches on cylinder must be parallel with the horizontal plane when fully screwed into lock body.

2. Install Lock Body



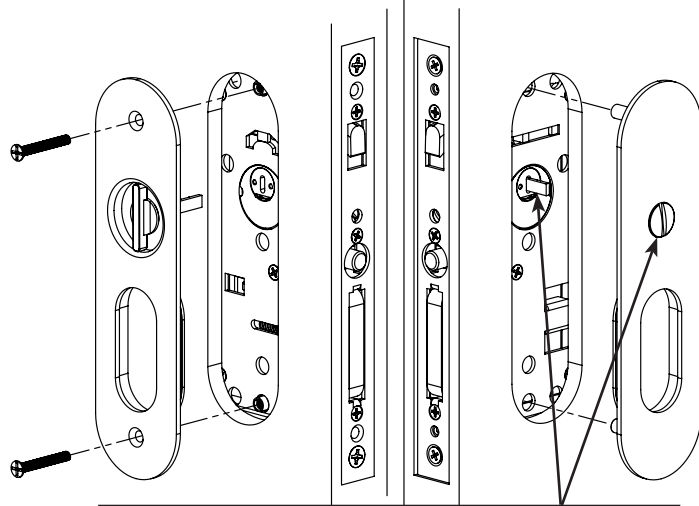
See template for door prep specifications

3. Install Inside and Outside Plates

Inside

Oval trim shown

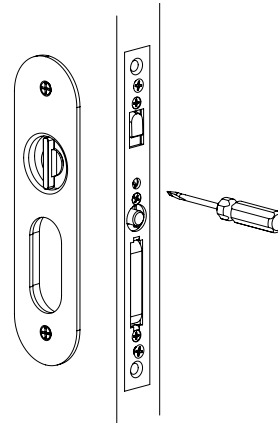
Outside



Align Passage/Privacy button with Thumb-turn spindle and secure trim plates to door.

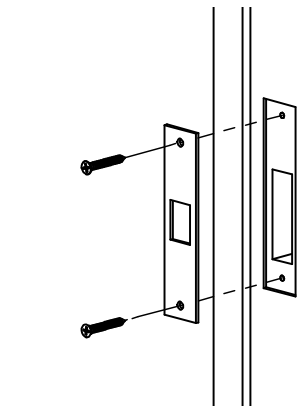
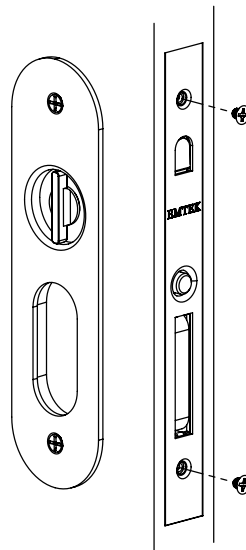
4. Tighten Key Cylinder

Tighten locking screw to engage notches on cylinder



5. Install Trim Plate

Door Jamb Prep.



See template for door jamb prep specifications