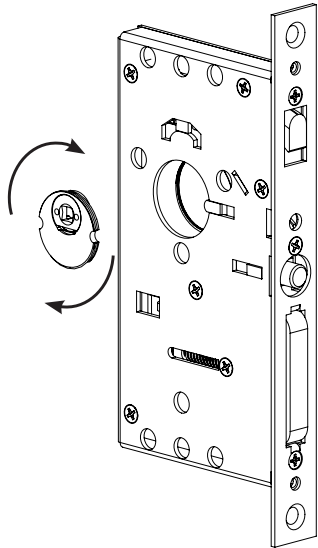


**1. Thread Drive Bar Cylinder**

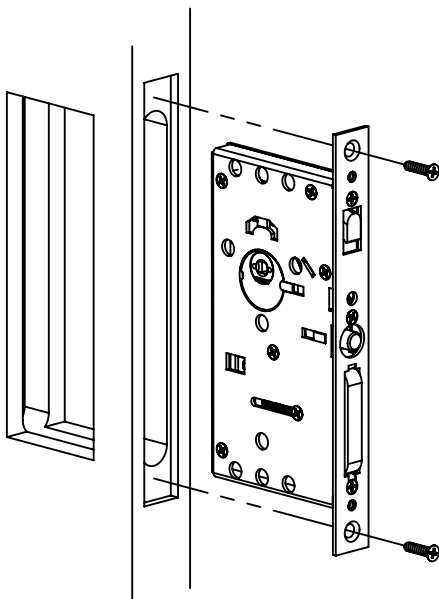
Install Drive Bar Cylinder by threading it clockwise onto lock body plate, on interior side of door.

Note: Drive Bar Socket must be in the 12 o' clock position as shown.



Note: Notches on cylinder must be parallel with the horizontal plane when fully screwed into lock body.

**2. Install Lock Body**

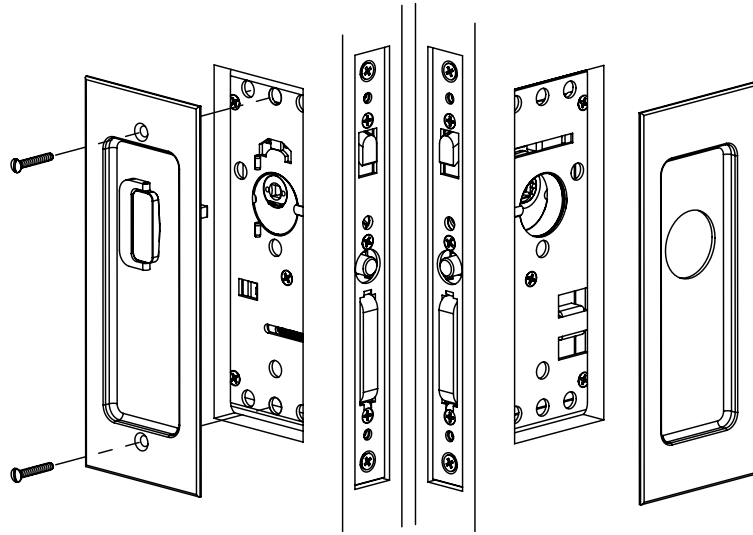


See template for door prep specifications

**3. Install Inside and Outside Plates**

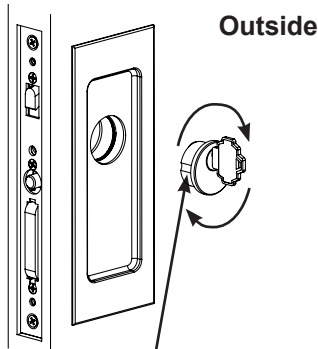
**Inside**

**Outside**



**4. Thread Key Cylinder**

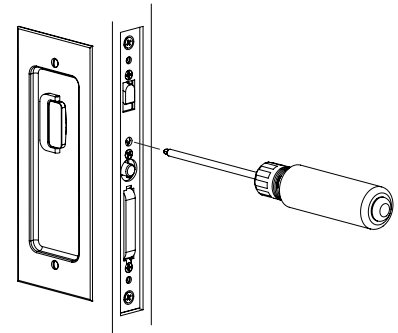
Install Key Cylinder by threading it clockwise onto lock body plate.



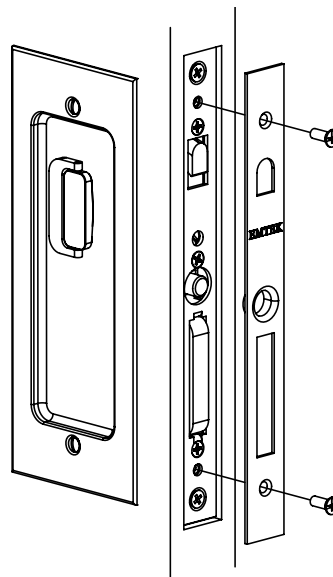
Key Cylinder notch must be in the horizontal position when fully screwed in lock body.

**5. Tighten Key Cylinder**

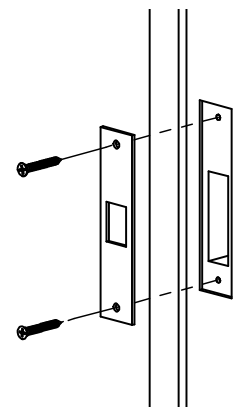
Tighten locking screw to engage notches on both cylinders



**6. Install Trim Plate**



**Door Jamb Prep.**



See template for door jamb prep specifications