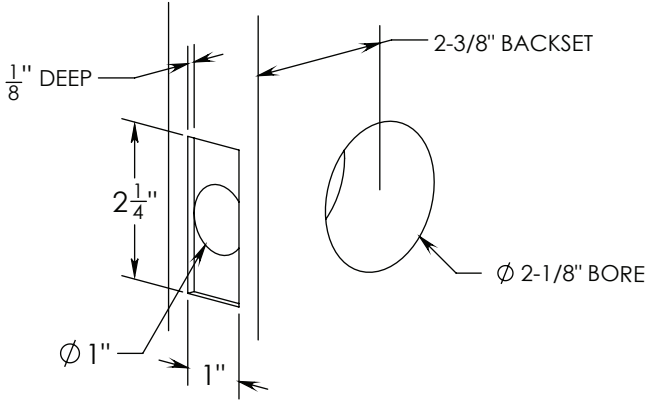
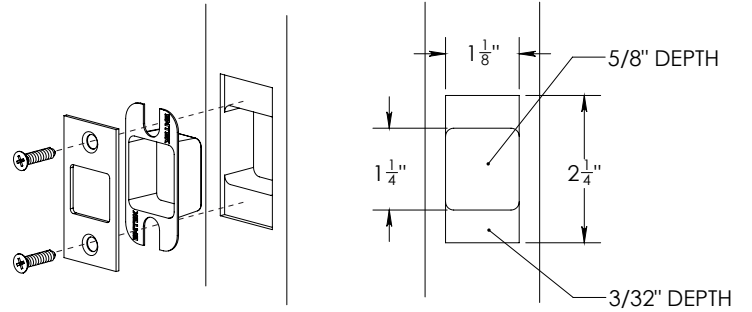


Installation Instructions - Tubular Pocket Door Lock, Privacy Function

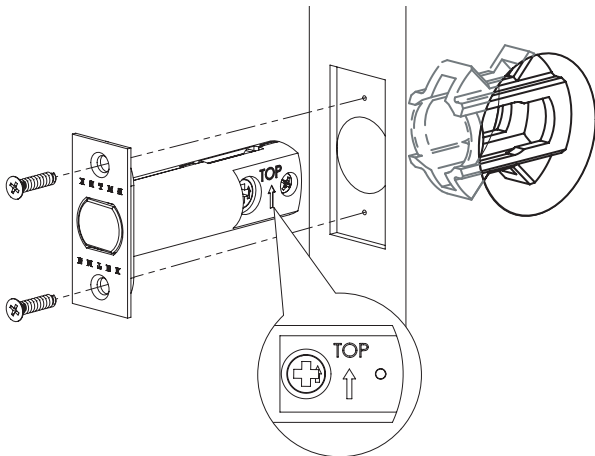
1 Door Prep



2 Jamb Prep



3 Install Latch



4 Installing Interior and Exterior Trims

