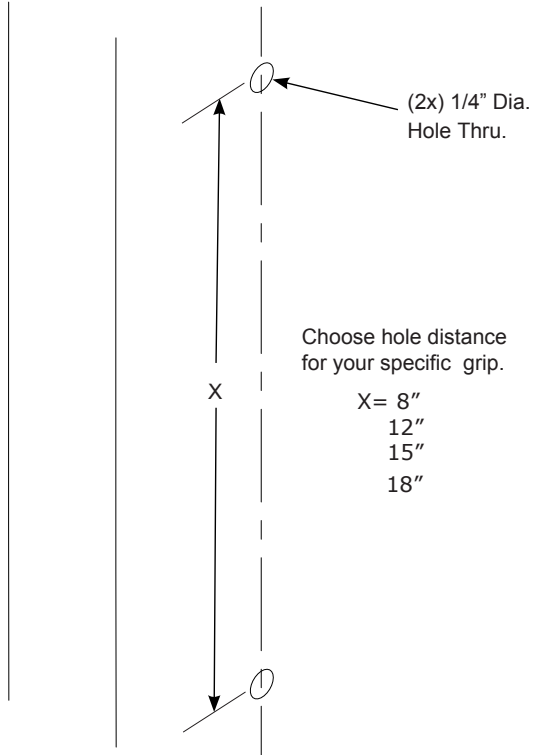


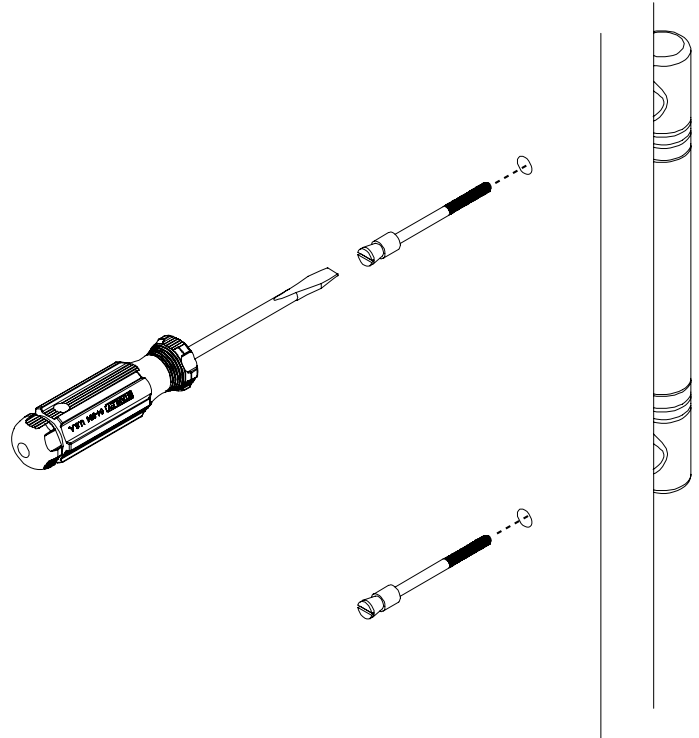
Installation Guide - Back To Back Door Pulls

1. Door Prep



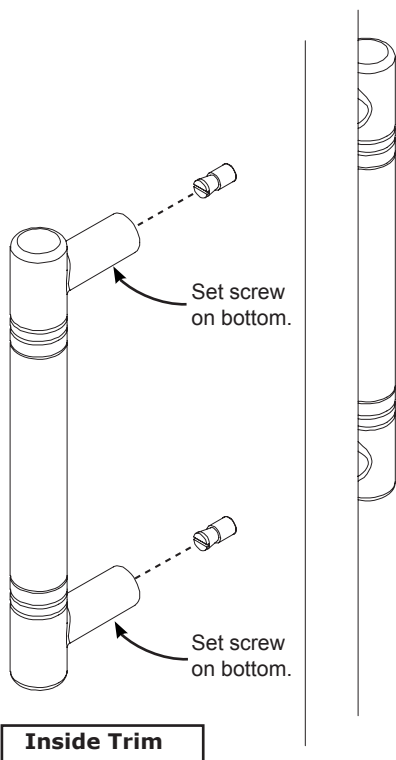
2. Screw Installation

From the inside, install and tighten Bevel Head Machine Screws to outside grip with flat blade screw driver.



3. Mounting Inside Grip to Door

Mount inside grip on to Bevel Head Machine Screws.



Tighten set screws (2 places) on inside grip. Secure to door with hex wrench (provided).

