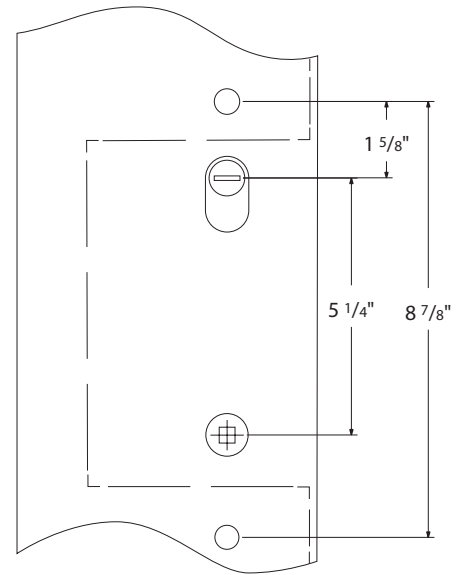
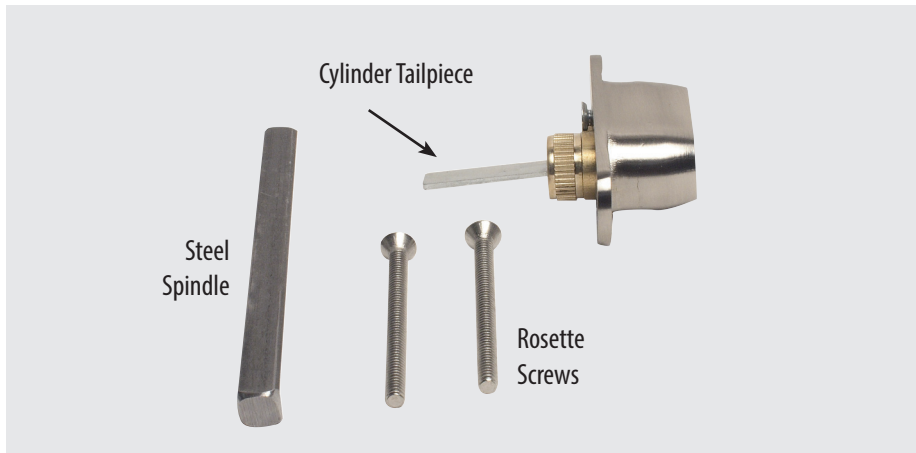


Door Configuration #8 American Cylinder Above Handle 5 1/4" Center to Center



Keyed Plates with American Cylinder Includes non-keyed thumbturn inside

Standard Door Thickness: 1 3/4"

- Standard Components:
- Single Cylinder Tailpiece
 - 3 3/4" Steel Spindle
 - 1 1/2" Rosette Screws

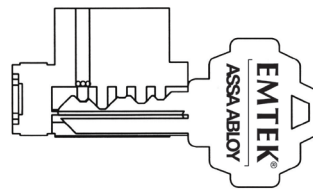
Non-Keyed Plates Includes non-keyed passage, fixed handle out/operating handle in

Standard Door Thickness: 1 3/4"

- Standard Components:
- Thumbturn Tailpiece
 - 3 3/4" Steel Spindle (half-spindle for fixed handle out/operating handle in)
 - 1 1/2" Rosette Screws

CONSTRUCTION KEYING

- Lost ball system.
- Last four pin locations drilled for lost ball application.
- Master key pins used for code variability.
- Construction keys and owner keys sent separately.
- Order by indicating "**Construction Keyed, House #_**" next to applicable locks.



- Construction devices used on one or more of last four positions.



- Dimples drilled in plug in this position.

Charge for Construction Keying - \$3.00 (NET)

- Locks that are both construction keyed and keyed alike in a house group will be charged a total of \$5.00 (NET) per cylinder.

Charge for Re-Keying - \$2.00 (NET) per Cylinder

- Locks that are keyed to code or keyed alike in a house group will be charged \$2.00 (NET) per cylinder.

Keying to Code

- Order by indicating "Key Code XXXXX" next to applicable locks.

Keying Alike

- Order by indicating "Keyed Alike" next to applicable locks if only one keyed alike group is wanted.
- If ordering multiple groups (houses) indicate "**Keyed Alike House #_**" next to applicable locks.

Set includes plates, handles and cylinders (where applicable). Multi Point lock mechanism is not included.

Neuma Doors®

Keyed with American Cylinder (for Active Door, Schlage® Keyway Standard, Weiser® Keyway Optional, Rekeyable)	
<p>1 ½" x 11" Plates, Product Codes 1811, 1831, 1851, 18A1</p>	<p>2" x 10" Plates, Product Codes 1821, 1841, 1861, 18B1</p>
Non-Keyed, Passage (for Semi-Active Door)	
<p>1 ½" x 11" Plates, Product Codes 1812, 1832, 1852, 18A2</p>	<p>2" x 10" Plates, Product Codes 1822, 1842, 1862, 18B2</p>
Non-Keyed, American Style Thumbturn Inside (for Active Door)	
<p>1 ½" x 11" Plates, Product Codes 1813, 1833, 1853, 18A3</p>	<p>2" x 10" Plates, Product Codes 1823, 1843, 1863, 18B3</p>
Non-Keyed, Fixed Handle Outside, Operating Handle Inside (for Semi-Active Door)	
<p>1 ½" x 11" Plates, Product Codes 1814, 1834, 1854, 18A4</p> <p>Fixed</p>	<p>2" x 10" Plates, Product Codes 1824, 1844, 1864, 18B4</p> <p>Fixed</p>