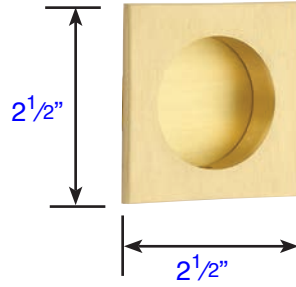


Rectangular Flush Pull (2201)

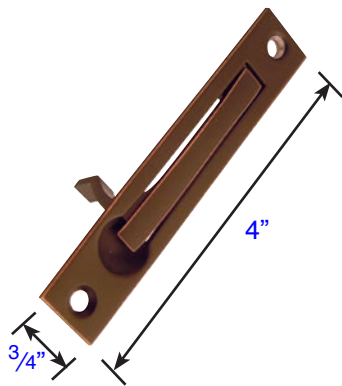


Square Flush Pull (2213)



2 1/2" Dia.

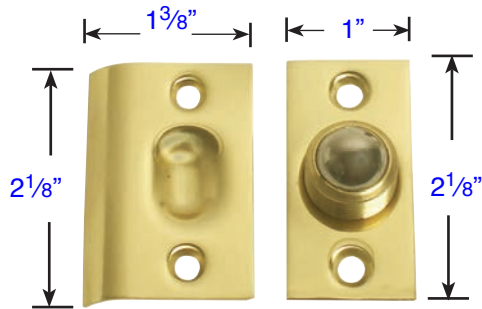
Round Flush Pull (2211)



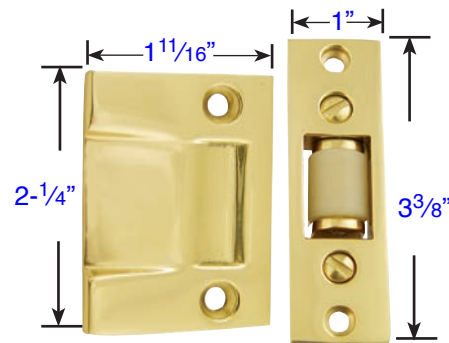
Edge Pull with Screws (2221)



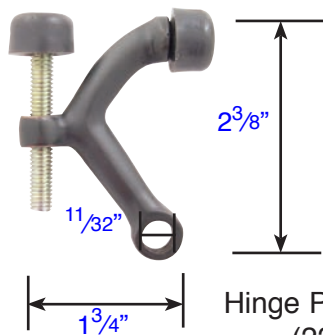
3" (2232) & 4" (2231)  
Door Stop  
Base = 1 1/4"



Ball Catch  
with Strike & Screws (8802)



Roller Catch  
with Strike & Screws (8801)



Hinge Pivot Stop (2241)



Extended Button Tip (2242)