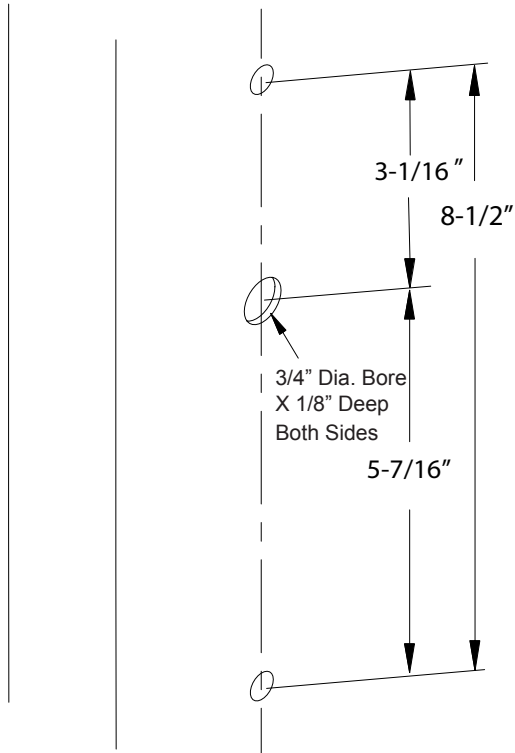


## Installation Guide - Narrow Style Dummy Sideplates (Pair)

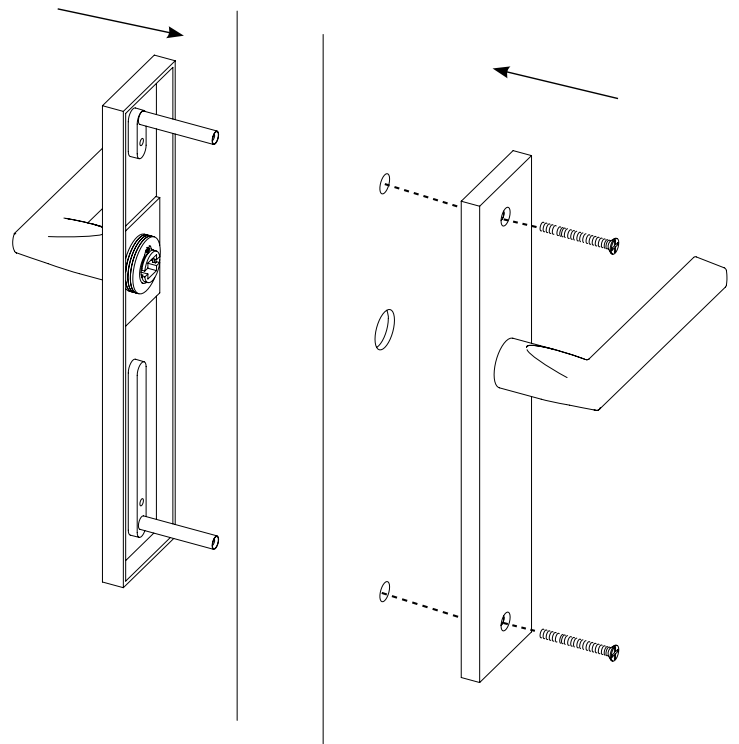
### 1. Door Prep For Pair Dummy



See template for door prep specifications.

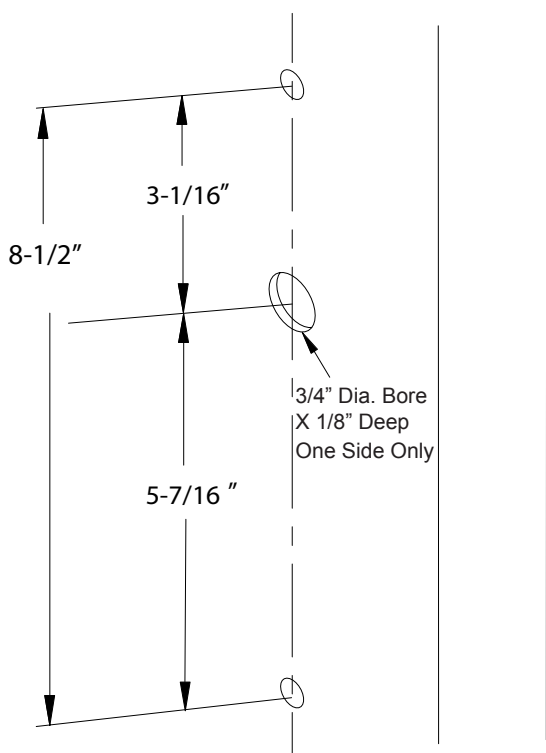
### 2. Pair Dummy Installation

Step 1. Position trim through the bore holes and tighten with #8 machine screws (provided).



## Installation Guide - Narrow Style Dummy Sideplate (Single Sided)

### 1. Door Prep For Single Sided Dummy



See template for door prep specifications.

### 2. Single Sided Dummy Installation

Step 1. Position trim through the bore holes and tighten with #8 machine screws (provided).

