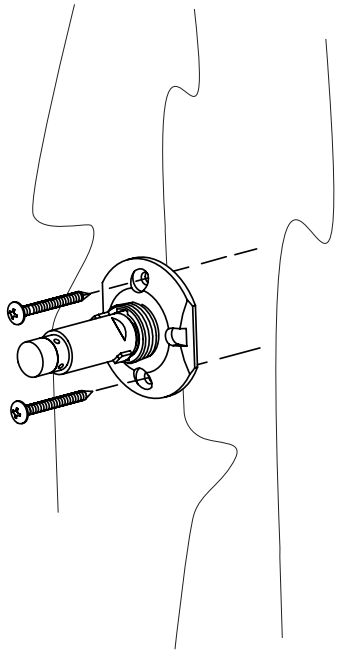
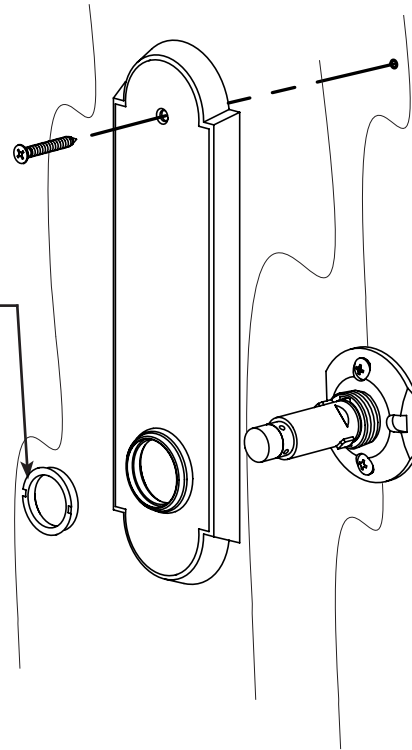


1. Install base plate



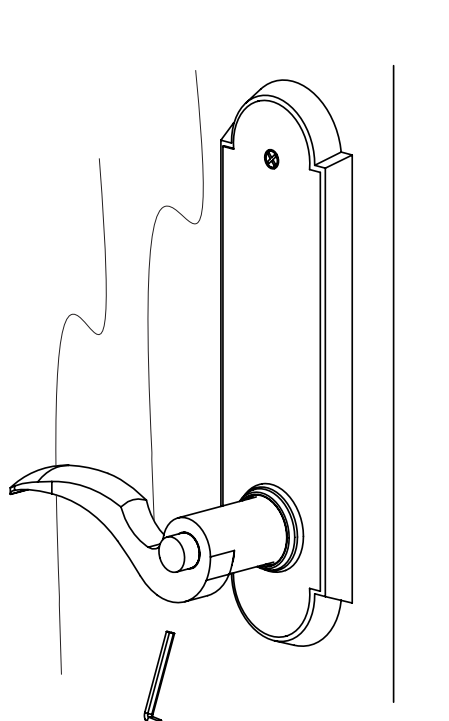
2. Install Trim Plate

Tighten rosette threaded ring with tool provided



3. Secure Handle

Plates and grips vary depending on style



After interior grip is installed, tighten set screw with hex wrench provided.