

ELKAY[®] SPECIFICATIONS

Gourmet Undermount Sink with Perfect Drain™ Model ELU2416(10)PD and ELUH2416(10)PD Series

GENERAL

Highest quality sink formed of #18 (1.2mm) gauge, type 304 (18-8) nickel bearing stainless steel with **Perfect Drain**. Undermount.

DESIGN FEATURES

Bowl Depth: See chart on next page.

Coved Corners: 1-3/4" (44mm) horizontal and vertical radii.

Finish ELU2416(10)PD: Exposed surfaces are hand blended to a Lustrous Satin finish.

Finish ELUH2416(10)PD: Exposed surfaces are hand blended to a Lustrous Highlighted Satin finish.

Underside: Fully protected by Sound Guard[®] undercoating to reduce condensation and dampen sound.

Perfect Drain: Seamlessly welded stainless steel collar eliminates the gap between a traditional drain and the sink for a sanitary and gap free installation. Each sink shipped with one LKPD1 drain kit, or a garbage disposer can be installed on the sink bowl for user convenience.

Patent Pending

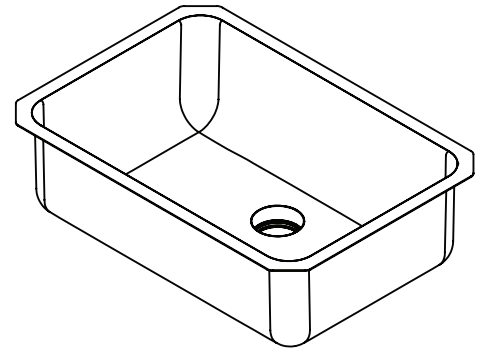
OTHER

Drain opening: 3-3/8" (86mm)

NOTE: All Elkay undermount sinks are designed to affix to the underside of any solid surface countertop.

Waste Fitting complies with ASME A112.18.2/CAN/CSA-B125.2

Sink complies with ASME A112.19.3-2008 / CSA B45.4-08.



Model ELUH2416PD



OPTIONAL ACCESSORIES

Bottom Grid: LKWBG2416SS

Cutting Boards: CB1713, CBS1316

Mounting Clip: LKUCLIP8

Rinsing Basket: LKWWRB2416SS, LKWWRBSS

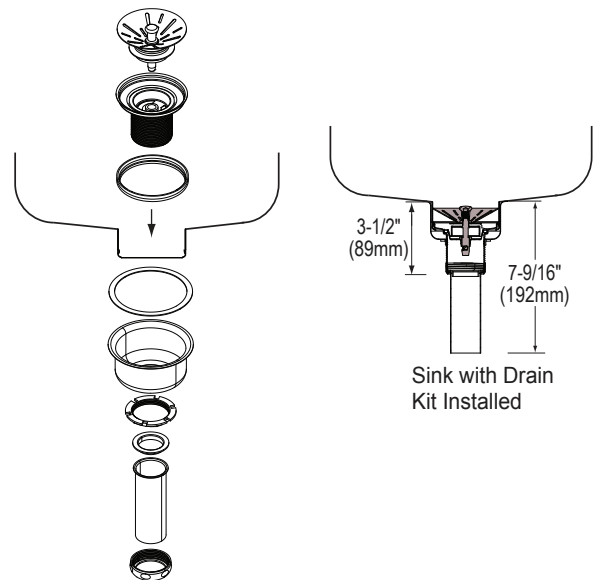
Utensil Caddy for Rinsing Basket: LKWUCSS

in sink erator[®]

Elkay[®] Perfect Drain™ sinks are designed and approved for compatible disposers manufactured by InSinkEerator[®] utilizing the Quick Lock[®] mounting configuration. Use of non-approved disposers may void Elkay warranty.

InSinkEerator, Quick Lock and the mounting collar configuration are trademarks of Emerson Electric Co.





SEE NEXT PAGE FOR PRODUCT DIMENSIONS.

In keeping with our policy of continuing product improvement, Elkay reserves the right to change product specifications without notice. Please visit elkayusa.com for most current version of Elkay product specification sheets.

This specification describes an Elkay product with design, quality and functional benefits to the user. When making a comparison of other producers' offerings, be certain these features are not overlooked.

ELKAY[®] SPECIFICATIONS

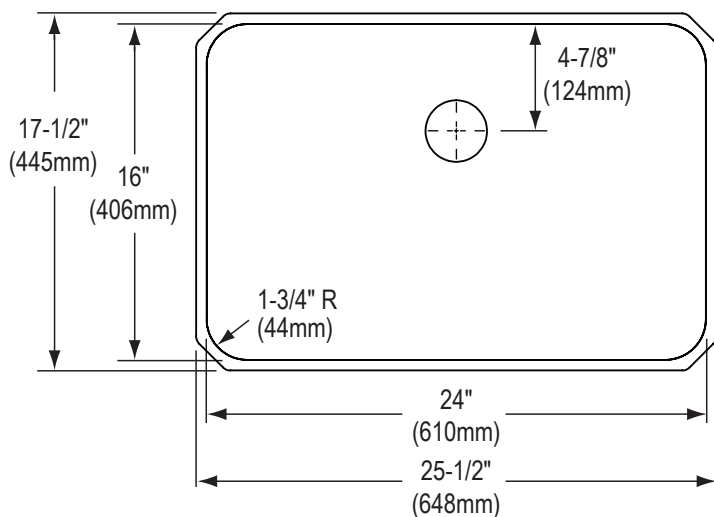
Gourmet Undermount Sink with Perfect Drain™ Model ELU2416(10)PD and ELUH2416(10)PD Series

SINK DIMENSIONS*

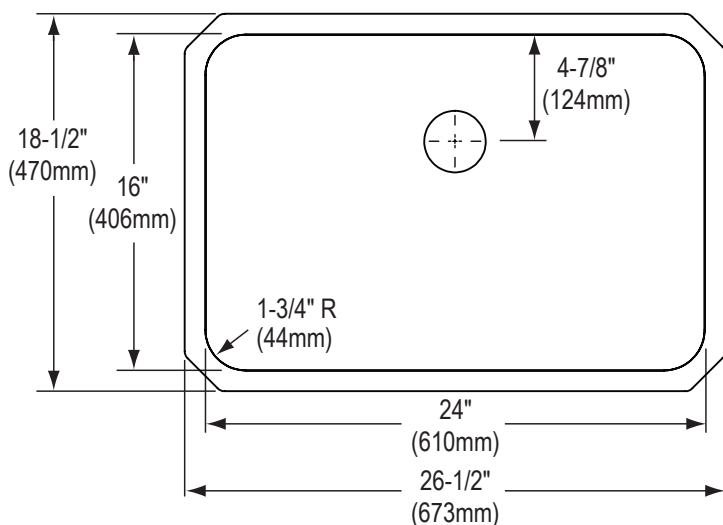
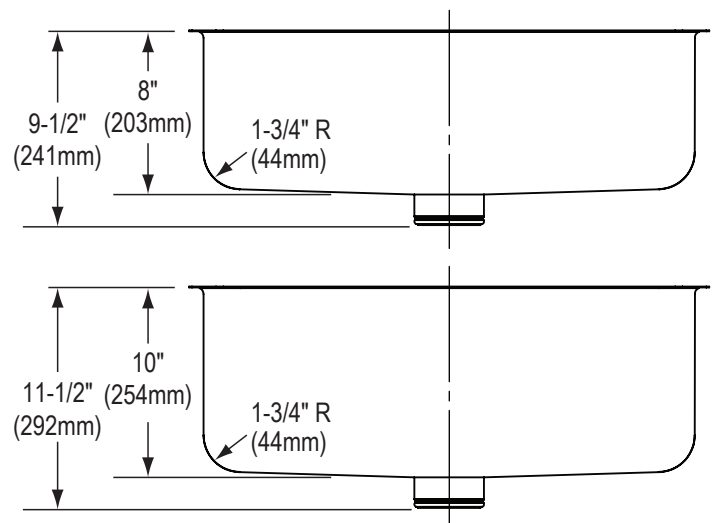
Model Number	Overall			Inside Each Bowl			Cutout in Countertop	Minimum Cabinet Size
	L	W	D	L	W	D		
ELU2416PD	25-1/2 (648mm)	17-1/2 (445mm)	9-1/2 (241mm)	24 (610mm)	16 (406mm)	8 (203mm)	See Template**	30 (762mm)
ELU241610PD	25-1/2 (648mm)	17-1/2 (445mm)	11-1/2 (292mm)	24 (610mm)	16 (406mm)	10 (254mm)		30 (762mm)
ELUH2416PD	26-1/2 (673mm)	18-1/2 (470mm)	9-1/2 (241mm)	24 (610mm)	16 (406mm)	8 (203mm)		30 (762mm)
ELUH241610PD	26-1/2 (673mm)	18-1/2 (470mm)	11-1/2 (292mm)	24 (610mm)	16 (406mm)	10 (254mm)		30 (762mm)

*Length is left to right. Width is front to back.

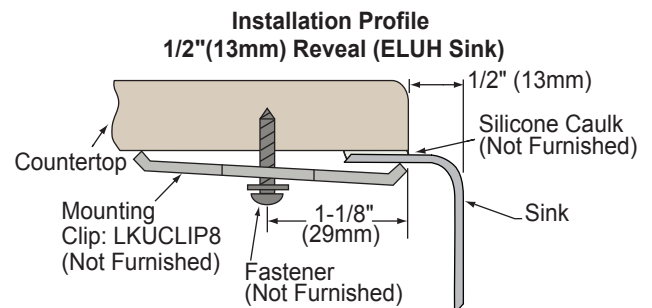
**Template 74180733 (ELU2416(10)PD) or 74180732 (ELUH2416(10)PD) is packed with every sink.



ELU2416PD Model



ELUH2416PD Model



Designed to affix to the underside of any solid surface countertop.

In keeping with our policy of continuing product improvement, Elkay reserves the right to change product specifications without notice. Please visit elkayusa.com for most current version of Elkay product specification sheets.

This specification describes an Elkay product with design, quality and functional benefits to the user. When making a comparison of other producers' offerings, be certain these features are not overlooked.