

ELKAY[®]

SPECIFICATIONS

Gourmet™ Double Bowl Sink Model EG25010 Series

GENERAL

Fine quality sink formed of #18 gauge, type 304 nickel bearing stainless steel. Top mount.

DESIGN FEATURES

Bowl Depth: 8-3/8" small bowl, 10-3/8" large bowl.

Coved Corners: 3" vertical and 2-1/4" horizontal radius.

Bowl and Faucet Deck Recess: 3/8" below outside edge of sink.

Finish: Exposed surfaces are polished to a soft satin finish.

Underside: Sound absorbing pads applied to dampen sound.

Aqueduct (recessed partition) allows water to flow to adjacent bowl before overflowing sink.

OTHER

Drain Opening: 3-1/2".

NOTE: Suffix L (left) or R (right) denotes location of the small bowl. Unless otherwise specified, sink is furnished with 4 faucet holes as shown.

These sinks comply with ASME A112.19.3.



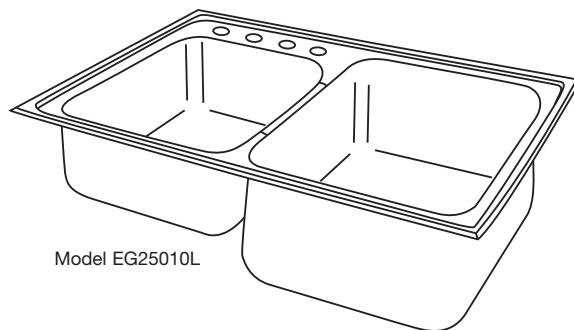
These sinks are listed by the International Association of Plumbing and Mechanical Officials as meeting the requirements of the Uniform Plumbing Code.

OPTIONAL ACCESSORIES

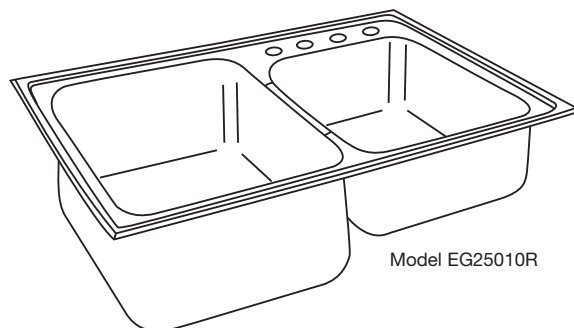
Rinsing Baskets: LKWRB1316SS (small bowl), LKWRB1318SS (large bowl) or LKWERBSS (either bowl).

Bottom Grid: LKWOBG1415SS (small bowl), LKWOBG1318SS (large bowl).

Cutting Board: CB1516 (small bowl), CBR1316 (large bowl).



Model EG25010L



Model EG25010R

SINK DIMENSIONS (INCHES)*

Model Number	Overall		Inside Left Bowl			Inside Right Bowl			Cutout in Countertop (1 1/2" Radius Corners)		No. of 1 1/2" Dia. Faucet Holes	Minimum Cabinet Size
	L	W	L	W	D	L	W	D	L	W		
EG25010L	33	22	14	15 3/4	8 3/8	13 1/2	18	10 3/8	32 3/8	21 3/8	1, 2, S2, 3 or 4	36
EG25010R	33	22	13 1/2	18	10 3/8	14	15 3/4	8 3/8	32 3/8	21 3/8	1, 2, S2, 3 or 4	36

*Length is left to right. Width is front to back.

SEE OTHER SIDE FOR PRODUCT DIMENSIONS.

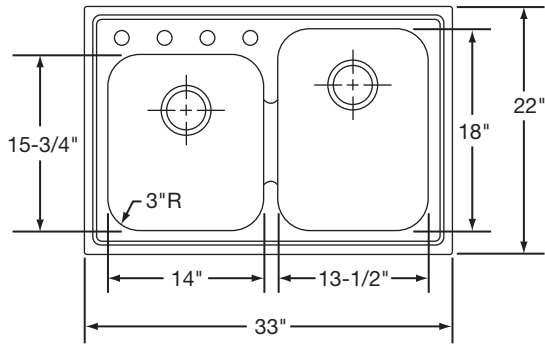
ALL DIMENSIONS IN INCHES, TO CONVERT TO MILLIMETERS MULTIPLY BY 25.4.

In keeping with our policy of continuing product improvement, Elkay reserves the right to change product specifications without notice.

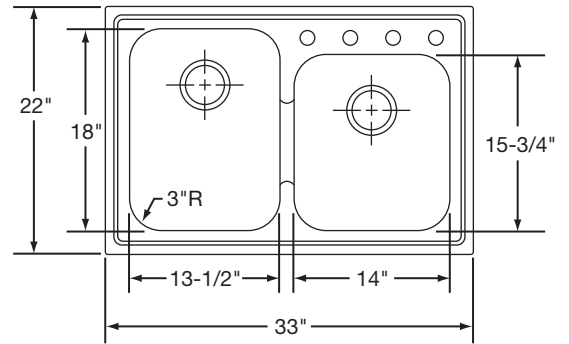
This specification describes an Elkay product with design, quality and functional benefits to the user. When making a comparison of other producers' offerings, be certain these features are not overlooked.

**Gourmet™ Double Bowl Sink
Model EG25010 Series**

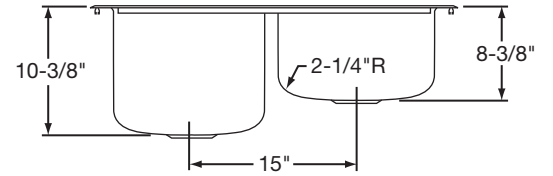
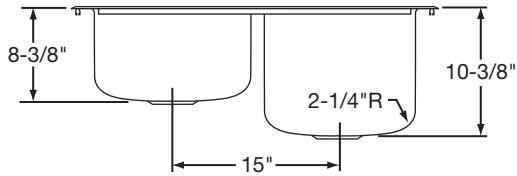
**ELKAY®
SPECIFICATIONS**



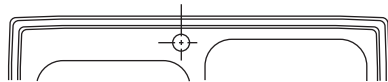
Model EG25010L Illustrated



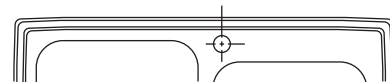
Model EG25010R Illustrated



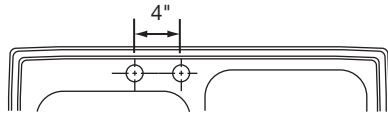
HOLE DRILLING CONFIGURATIONS



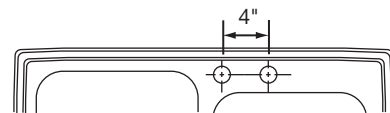
Model EG25010L1



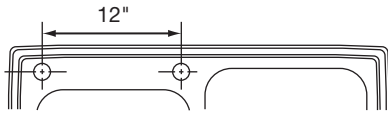
Model EG25010R1



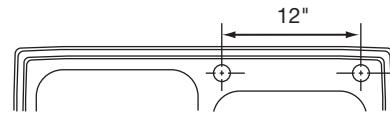
Model EG25010L2



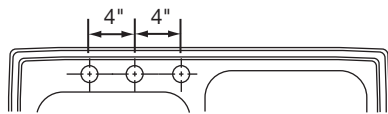
Model EG25010R2



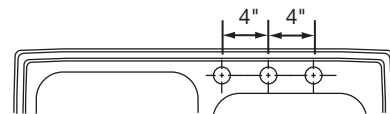
Model EG25010LS2



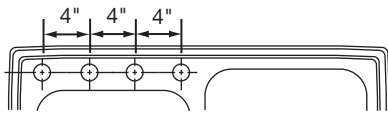
Model EG25010RS2



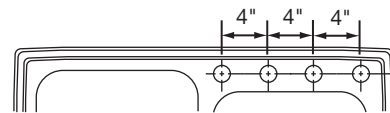
Model EG25010L3



Model EG25010R3



Model EG25010L4



Model EG25010R4