

# ELKAY<sup>®</sup>

## SPECIFICATIONS

### Vandal-Resistant EZH2O<sup>®</sup> Bottle Filling Station with Bi-Level Vandal-Resistant Cooler Models VRCTL8WS & VRCTLDWS

RATED FOR INDOOR AND OUTDOOR USE

#### PRODUCT SPECIFICATION

Unit shall include bi-level electric water cooler with bottle filling station. VRCTL8WS shall deliver 8 GPH of 50°F drinking water at 90°F ambient and 80°F inlet water. VRCTLDWS shall deliver non-chilled drinking water. Units shall be stainless steel construction and include vandal-resistant bubbler. Bottle filling unit shall include an automatic 20-second shut-off timer. Shall include Green Ticker™ displaying count of plastic bottles saved from waste. Bottle filler shall provide 1.1 - 1.5 gpm flow rate with laminar flow to minimize splashing. Unit shall meet ADA guidelines. Unit shall be lead-free design which is certified to NSF/ANSI 61 and 372 and meets federal and state low-lead requirements. Unit shall be certified to UL399 and CAN/CSA 22.2 No. 120.

#### STANDARD FEATURES

- Vandal-resistant pushbutton activation
- Automatic 20-second shut-off
- Quick Fill Rate: 1.1 gpm (VRCTL8WS); 1.5 gpm (VRCTLDWS)
- Laminar Flow provides minimal splash
- Real Drain System eliminates standing water
- Visual User Interface display includes:
  - Innovative Green Ticker™ counts bottles saved from waste
- Includes Vandal-resistant bubbler
- Cooler panel finish: Stainless Steel

#### COOLING SYSTEM (Model VRCTL8WS only)

- Compressor: Hermetically sealed, reciprocating type, single phase. Sealed-in lifetime lubrication.
- Condenser: Fan cooled, copper tube with aluminum fins. Fan motor is permanently lubricated.
- Cooling unit: Combination tube-tank type. Self-cleansing. Continuous copper tubing with stainless steel tank. Fully insulated with EPS foam which meets UL requirements for self-extinguishing material.
- Refrigerant Control: Refrigerant R134a is controlled by accurately calibrated capillary tube.
- Temperature Control: Easily accessible enclosed adjustable thermostat is factory preset. Requires no adjustment other than for altitude requirements.



Models VRCTL8WSK  
or VRCTLDWSK





#### CONSTRUCTION

- Stainless steel basin with integral drain
- Galvanized structural steel cooler chassis provides structural integrity
- Stainless steel construction bottle filler
- Cooler cabinet is stainless steel construction
- Vandal-resistant bubbler is one-piece, heavy-duty chrome plated

#### WARRANTY

5 Year limited warranty on the unit's refrigeration system. Electrical components and water system are warranted for 12 months from date of installation or 18 months from factory shipment, whichever date falls first.

#### CAPACITIES CHART

CAPACITIES CHART									
Model	Voltage / Hertz	Chilling Capacity**	F.L. Amps	Rated Watts	Approx. Shipping Wt. (lb)	UL399 and CAN/CSA 22.2 No. 120 Certified	ADA Compliant	ANSI/NSF 61 & 372 Certified	GreenSpec® Listed
VRCTL8WSK	115V / 60Hz	8 GPH	5.0	370	114	•	•	•	•
VRCTL8WS2K	220V / 50Hz	6.7 GPH	2.5	370	114	++	•	•	•
VRCTL8WS3K	220V / 60Hz	8 GPH	2.5	370	114	++	•	•	•
VRCTLDWSK	115V / 60Hz	-	1.0	15	86	•	•	•	•
VRCTLDWS2K	220V / 50Hz	-	0.5	15	86	++	•	•	•
VRCTLDWS3K	220V / 60Hz	-	0.5	15	86	++	•	•	•

\*\*Based on 80°F inlet water and 90°F ambient air temp for 50°F chilled drinking water.  
++Complies; not third party certified.

This specification describes an ElKay product with design, quality and functional benefits to the user. When making a comparison of other producers' offerings, be certain these features are not overlooked.

# Vandal-Resistant EZH2O® Bottle Filling Station with Bi-Level Vandal-Resistant Cooler Models VRCTL8WS & VRCTLDDWS

# ELKAY® ROUGH-IN DIMENSIONS

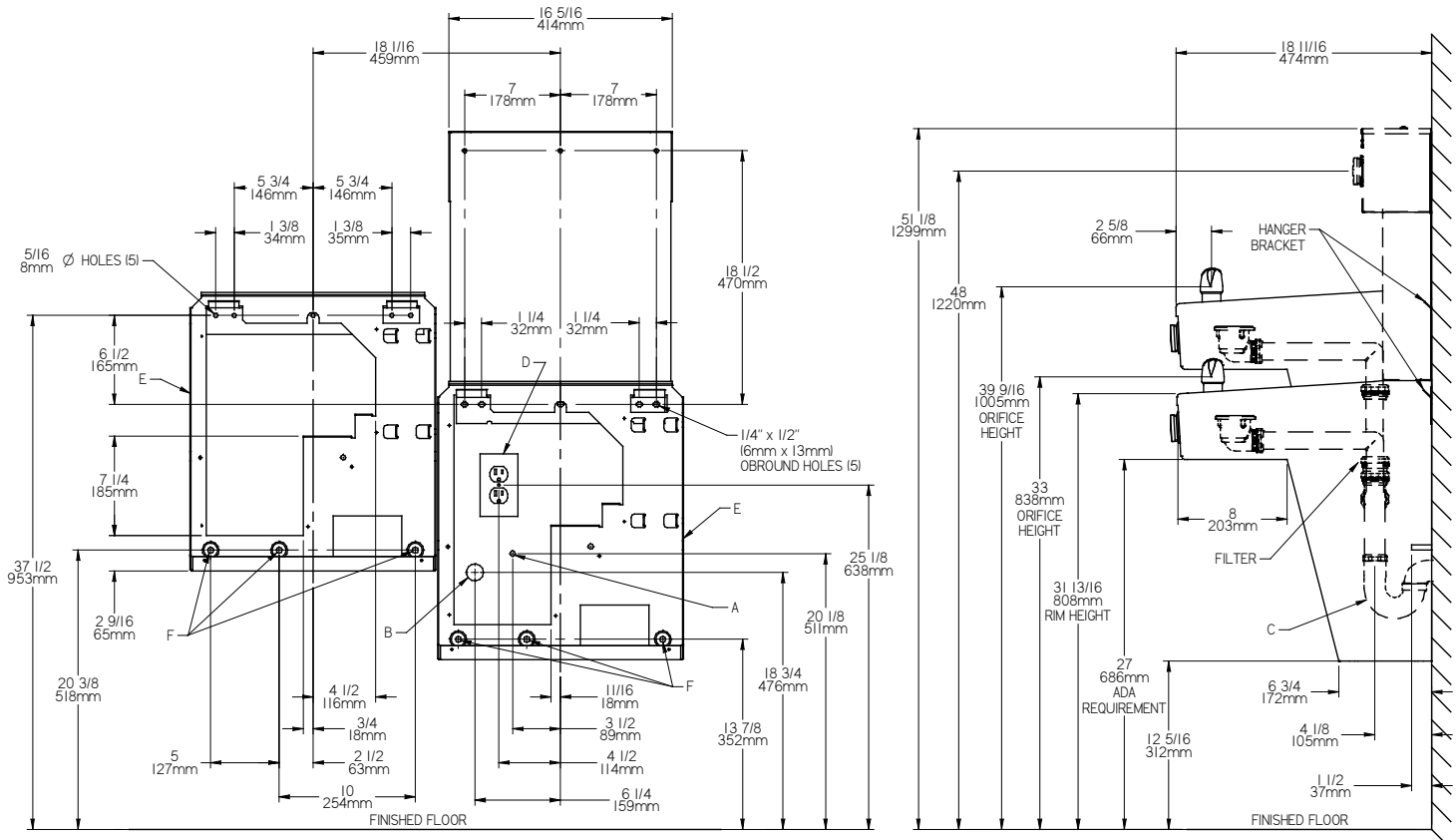
**RATED FOR INDOOR AND OUTDOOR USE**

**IMPORTANT! INSTALLER PLEASE NOTE:**

These units are designed and built to provide water to the user which has not been altered by materials in the cooler waterway. The grounding of electrical equipment such as telephone, computers, etc. to water lines is a common procedure. This grounding may be in the building buy may also occur away from the building. This grounding can cause electrical feedback into a water cooler creating an electrolysis which results in a metallic taste or an increase in the metal content of the water. This condition is avoidable by installing the cooler using the proper materials as shown.

**NOTICE:**

This water cooler must be connected to the water supply using a dielectric coupling. The cooler is furnished with a non-metallic strainer which meets this requirement. The drain trap which is provided by the installer should also be plastic to completely isolate the cooler from the building plumbing system.



**REDUCE HEIGHT BY 3" FOR INSTALLATION OF CHILDREN'S ADA COOLER**

**LEGEND:**

- A = Recommended Water Supply location. Shut-off Valve (not furnished) to accept 3/8" O.D. unplated copper tube. Up to 3" (38mm) maximum out from wall.
- B = Recommended Waste Outlet location. To accommodate 1-1/2" nominal drain. Drain stub 2" (51mm) out from wall.
- C = 1-1/2" Trap (not furnished).
- D = Electrical Supply (3) Wire Recessed Box Duplex Outlet.
- E = Insure proper ventilation by maintaining 6" (152mm) minimum clearance from cabinet louvers to wall.
- F = 7/16" (11mm) Bolt Holes for fastening to wall.

NOTE: Installations Must Use Ground Fault Circuit Interrupter. (GFCI)

Job Name: \_\_\_\_\_

Model: \_\_\_\_\_ Qty. \_\_\_\_\_

Contact: \_\_\_\_\_

Approval Signature: \_\_\_\_\_

Notes: