

**Lustertone Double Bowl Sink and Tray**  
**18 Gauge - Type 302 - Self Rim**  
**Model STLR Series**



**SPECIFICATIONS**

**GENERAL**

Highest quality. Sink bowls are seamlessly drawn of #18 gauge, type 302 (18-8) nickel bearing stainless steel. Self-rimming.

**DESIGN FEATURES**

Bowl Depths: 7-1/2" (Regular), 10" (Deep).

Coved Corners: 1-3/4" radius.

Bowl and Faucet Deck Recessed: 3/16" below outside edge of sink.

Finish: Exposed surfaces are hand blended to a lustrous highlighted satin finish.

Underside: Fully undercoated to prevent condensation and deaden sound.

**OTHER**

Drain opening: 3-1/2".

Faucet Holes: Available in 0, 1, 2, 3, 4 or 5 1-1/2" diameter faucet holes 4" center.

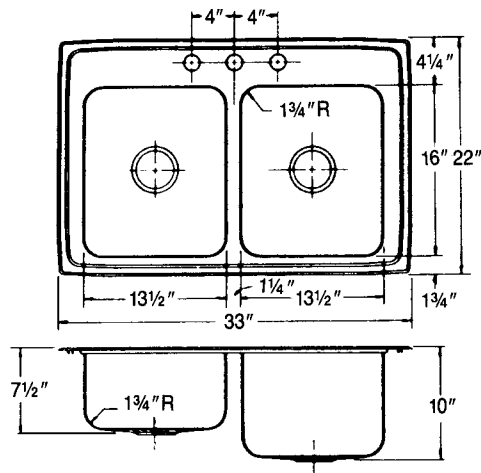
NOTE: Unless otherwise specified, sink is furnished with three faucet holes.



Model STLR-3322-R-3 Shown

**SINK DIMENSIONS**

Model Number	DIMENSIONS IN INCHES						Cutout in Counter Top		Ship. Wt. Lbs.		
	Length is left to right. Width is front to back.						(1 1/2" Radius Corners)				
	Overall		Left			Right				L	W
	L	W	L	W	D	L	W	D	L	W	
STLR-3322-L	33	22	13 1/2	16	10	13 1/2	16	7 1/2	32 3/8	21 3/8	25
STLR-3322-R	33	22	13 1/2	16	7 1/2	13 1/2	16	10	32 3/8	21 3/8	25
STLR-4322-L	43	22	19	16	10	19	16	7 1/2	42 3/8	21 3/8	30
STLR-4322-R	43	22	19	16	7 1/2	19	16	10	42 3/8	21 3/8	30



Model STLR-3322-R-3 Illustrated

ALL DIMENSIONS IN INCHES. TO CONVERT TO MILLIMETERS MULTIPLY BY 25.4.

*In keeping with our policy of continuing product improvement, Elkay reserves the right to change product specifications without notice.*

*This specification describes an Elkay product with design, quality and functional benefits to the user. When making a comparison of other producers' offerings, be certain these features are not overlooked.*