

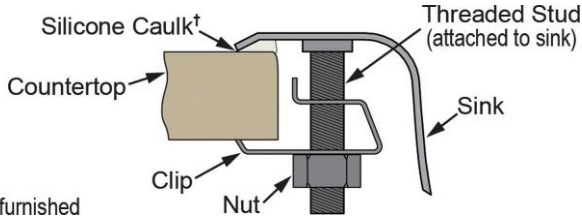
PRODUCT SPECIFICATIONS

Asana® (Lustertone®) Stainless Steel Single Bowl Top Mount Sink. Overall dimensions are 18-3/8" x 18-3/8" x 8". Sink is manufactured from 18 gauge 304 Stainless Steel with a Lustrous Highlighted Satin finish, Center drain placement and Full spray sides and bottom.

Installation Type:	Top Mount
Material:	304 Stainless Steel
Finish:	Lustrous Highlighted Satin
Gauge:	18
Sound Deadening:	Full spray sides and bottom
Number of Bowls:	1
Sink Dimensions:	18-3/8" x 18-3/8" x 8"
Bowl 1 Dimensions:	16" x 16" x 8"
Drain Size:	1-1/2" (38mm)
Drain Location:	Center
Minimum Cabinet Size:	24"
Mounting Hardware:	Part # 55000800 included for countertops up to 3/4" (19mm) thick
Cutout Template #:	1000001278

Template is available for download at [elkay.com](#)

Installation Profile:



†Not furnished

OPTIONAL ACCESSORIES

Drain:	LK174, LKAD174
---------------	----------------



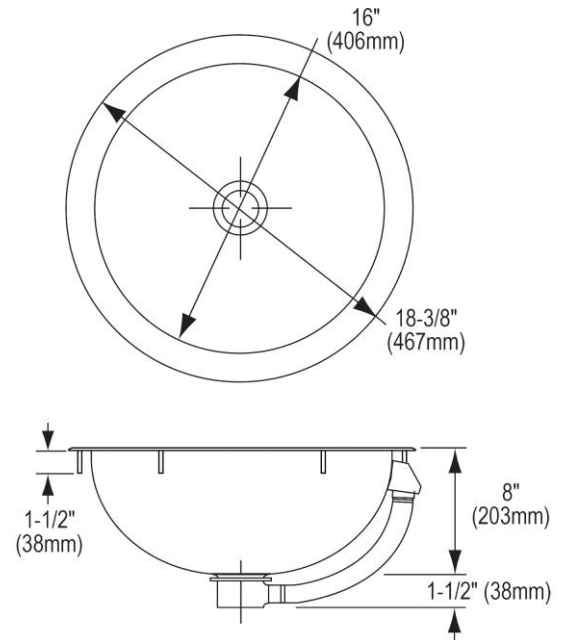
AMERICAN PRIDE. A LIFETIME TRADITION. Like your family, the Elkay family has values and traditions that endure. For almost a century, Elkay has been a family-owned and operated company, providing thousands of jobs that support our families and communities.



Sinks are listed by IAPMO® as meeting the applicable requirements of the Uniform Plumbing Code®, International Plumbing Code®, and National Plumbing Code of Canada.

Product Compliance: BUY AMERICAN ACT
ASME A112.19.3/CSA B45.4

- [Clean and Care Manual \(PDF\)](#)
- [Installation Instructions \(PDF\)](#)
- [Limited Lifetime Warranty \(PDF\)](#)



PART: _____ QTY: _____
 PROJECT: _____
 CONTACT: _____
 DATE: _____
 NOTES: _____
 APPROVAL: _____

In keeping with our policy of continuing product improvement, Elkay reserves the right to change product specifications without notice. Please visit [elkay.com](#) for the most current version of Elkay product specification sheets. This specification describes an Elkay product with design, quality, and functional benefits to the user. When making a comparison of other producers' offerings, be certain these features are not overlooked.