

ELKAY[®]

SPECIFICATIONS

The Mystic[®] by Elkay Undermount Sink Model MYSTIC2919CB

GENERAL

Highest quality sink formed of #12 gauge, type 304 (18-8) nickel bearing stainless steel. Comes complete with CB2919 cutting board.

DESIGN FEATURES

Bowl Depth: 8".

Finish: Exposed surfaces are polished to a lustrous starburst satin finish.

Underside: Fully protected by heavy duty Sound Guard[®] undercoating designed to prevent condensation and dampen sound. This sink complies with ASME A112.19.3.

OTHER

Drain Opening: 3-1/2".

Note: All Elkay undermount sinks are designed to affix to the underside of any solid surface countertop.

Installation: Support frame (not furnished) is necessary.

OPTIONAL ACCESSORIES

Rinsing Baskets: LKWRB2115SS, LKWERBSS.

Utensil Caddy for Rinsing Basket: LKWUCSS.

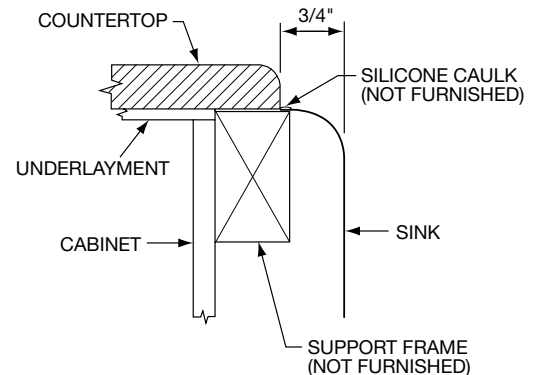
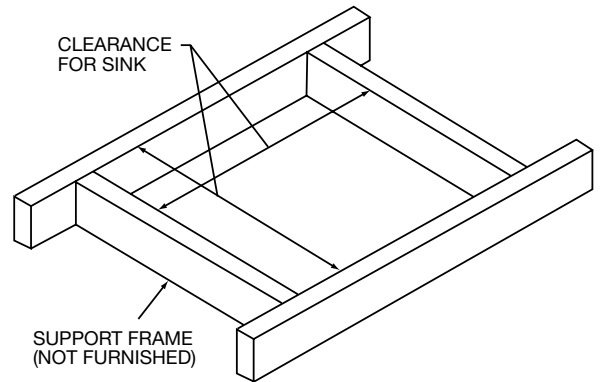
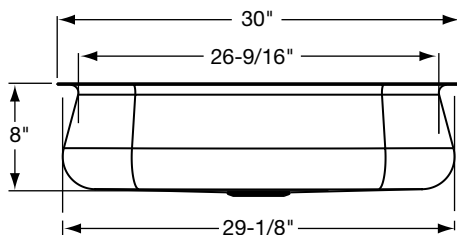
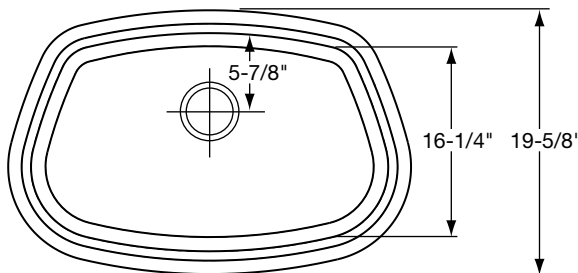
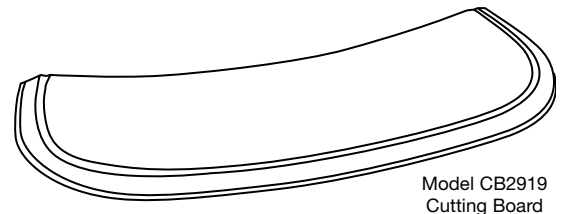
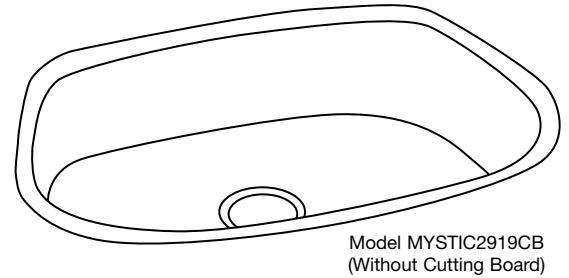
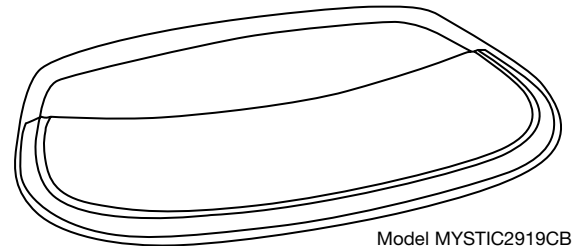
SINK DIMENSIONS (INCHES)*

Model Number	Overall		Inside Bowl			Cutout in Countertop See Template**	Minimum Cabinet Size
	L	W	L	W	D		
MYSTIC2919CB	30	19 ⁵ / ₈	26 ⁹ / ₁₆	16 ¹ / ₄	8		†

*Length is left to right. Width is front to back.

**Template is packed with every sink.

†Recommend that installation be accomplished by an experienced and professional installer only.



ALL DIMENSIONS IN INCHES, TO CONVERT TO MILLIMETERS MULTIPLY BY 25.4.

In keeping with our policy of continuing product improvement, Elkay reserves the right to change product specifications without notice.

This specification describes an Elkay product with design, quality and functional benefits to the user. When making a comparison of other producers' offerings, be certain these features are not overlooked.