

# Mounting Plate Instructions

## Model MPW201

### Installer

To assure you install this model easily and correctly,  
PLEASE READ THESE SIMPLE INSTRUCTIONS BEFORE STARTING THE  
INSTALLATION. CHECK YOUR INSTALLATION FOR COMPLIANCE WITH  
PLUMBING, ELECTRICAL AND OTHER APPLICABLE CODES. After installation,  
keep these instructions for future reference.

### IMPORTANT

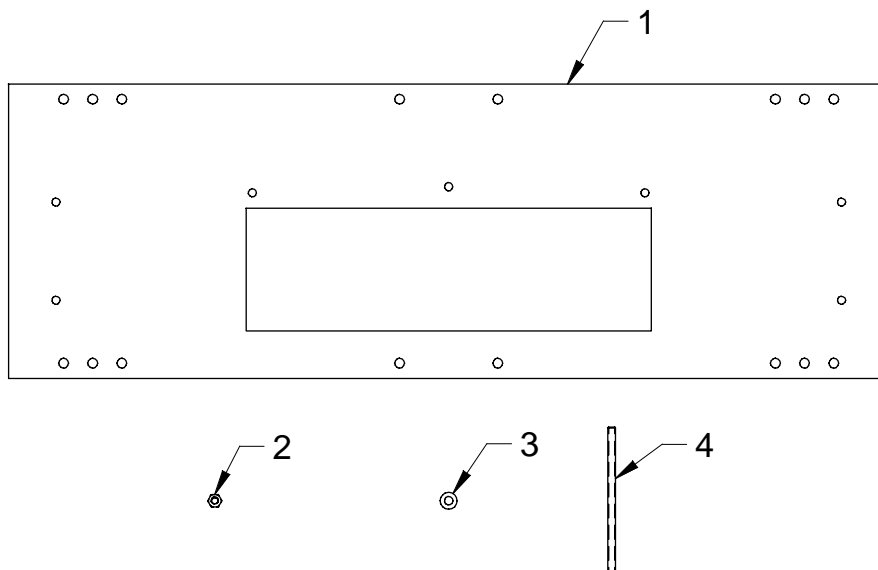
ALL SERVICE TO BE PERFORMED BY AN AUTHORIZED SERVICE PERSON

**This Mounting Plate System is designed for use with the following models:  
EDFP220RC and 7120 Ftn.**

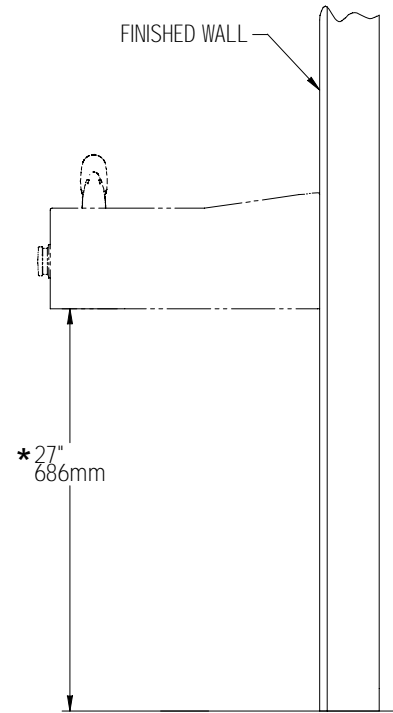
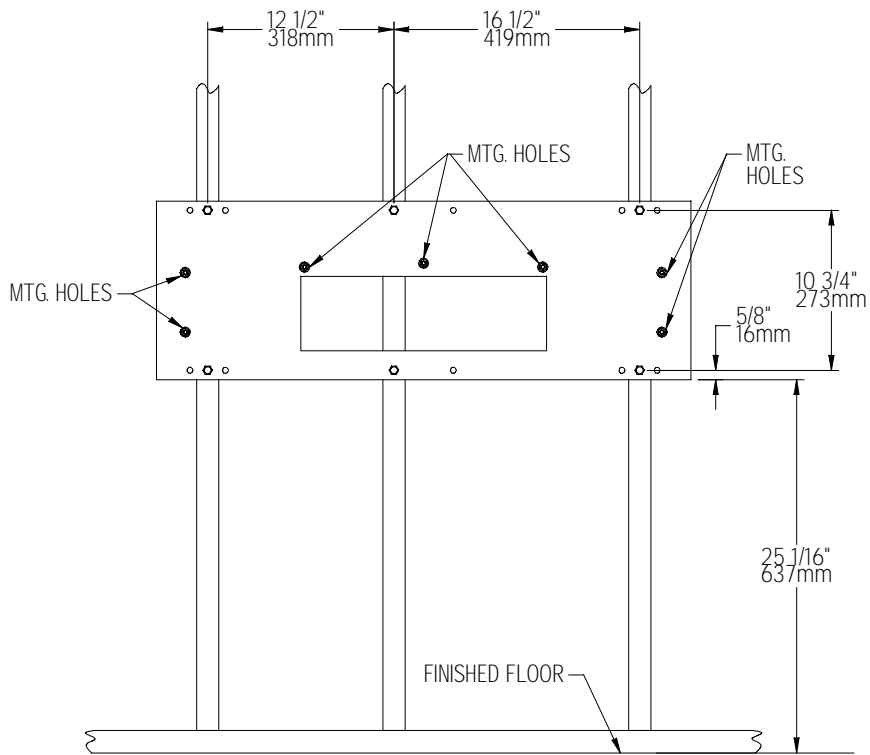
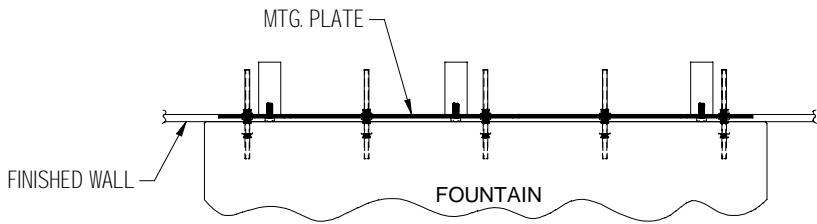
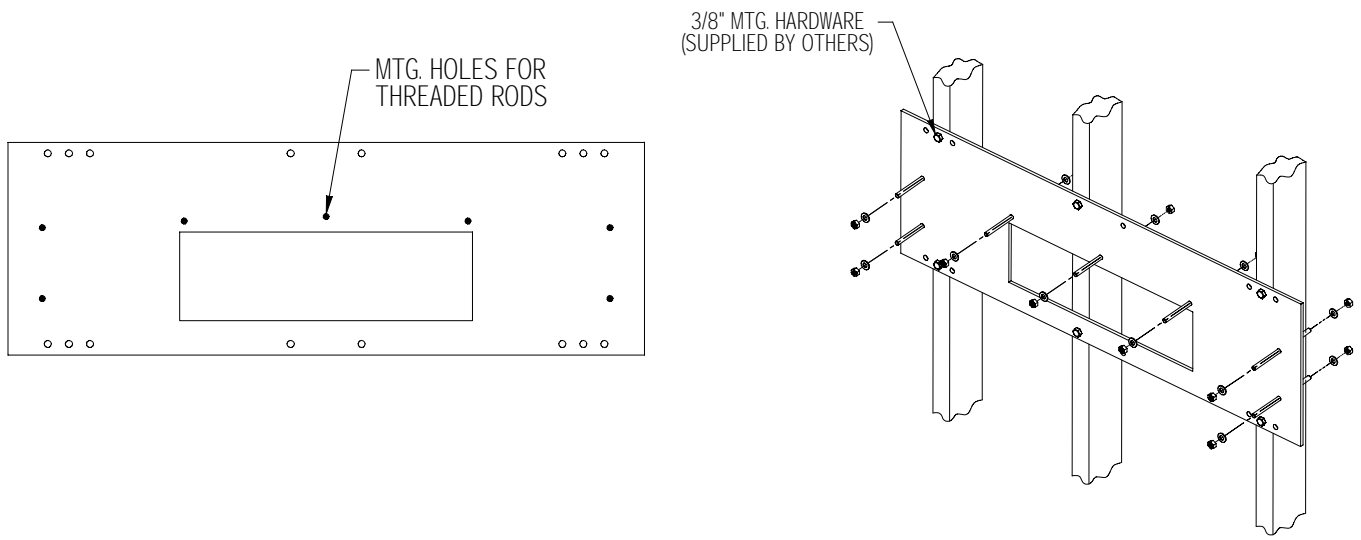
### Parts List

Refer to the illustration to make sure you receive all mounting plate parts. If any parts are missing contact your local distributor or call 1.800.260.6640.

ITEM NO.	QTY.	PART NO.	DESCRIPTION
1	1	28794C	Mounting Plate
2	28	70020C	Hex Nut 5/16-18
3	28	75541C	Flat Washer .339/.359ID
4	7	75708C	Threaded Rod 5/16-18 x 6 In.



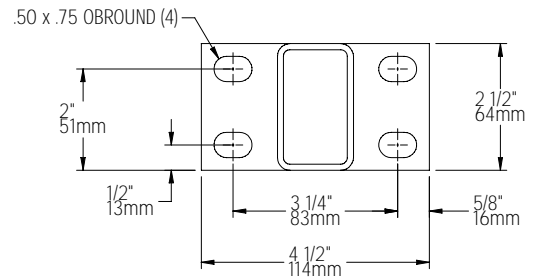
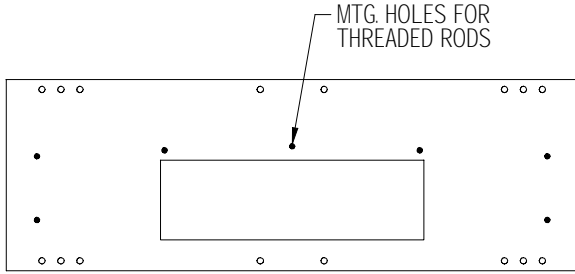
**When mounting plate directly to wall studs please refer to the diagrams shown below. For electrical, waste, and water supply locations please refer to the Installation/Owners manual.**



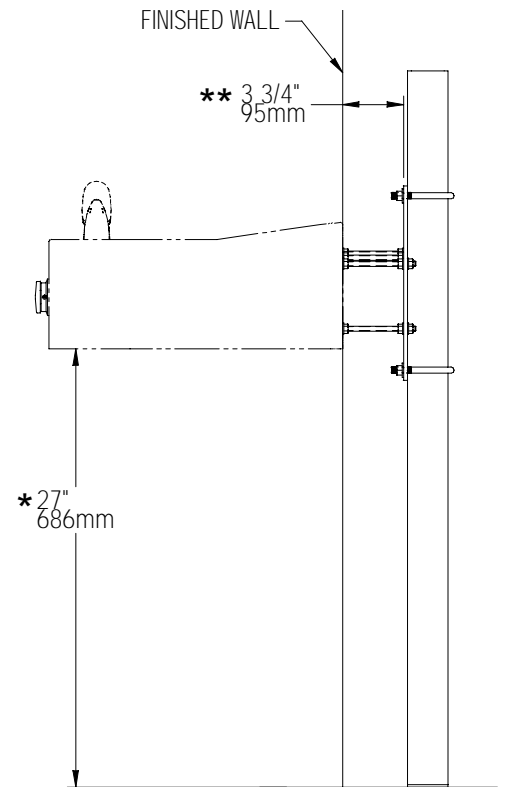
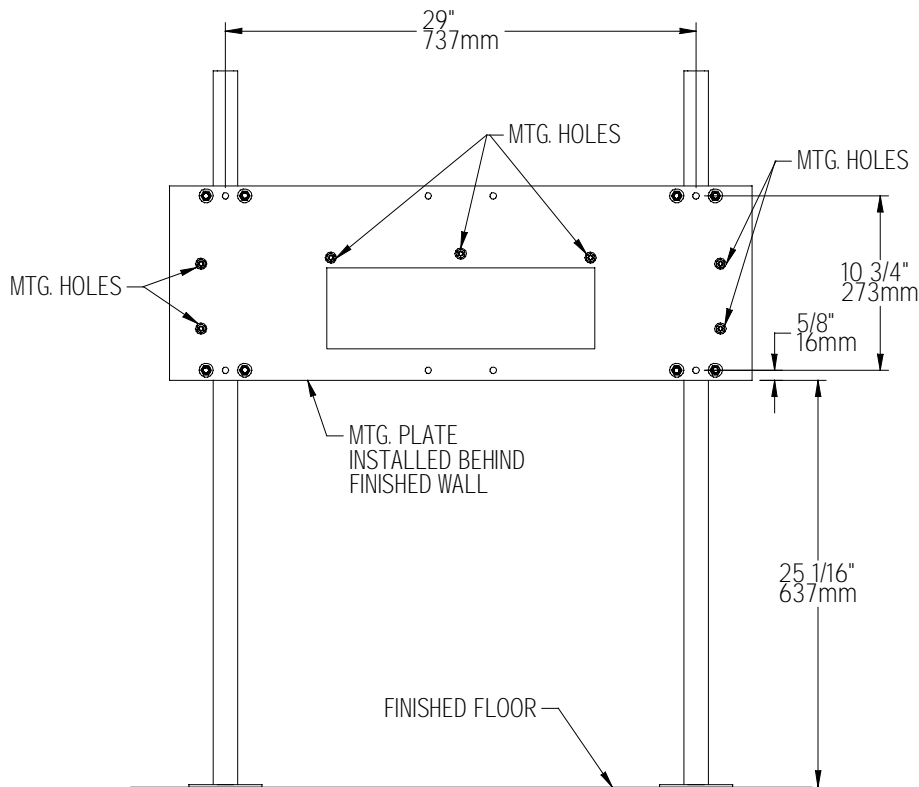
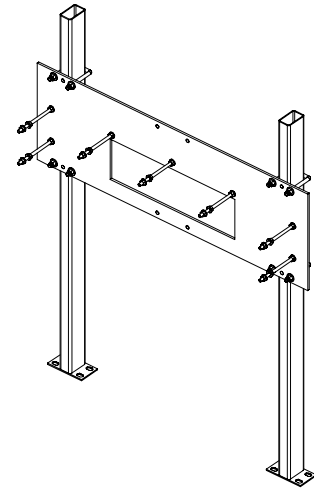
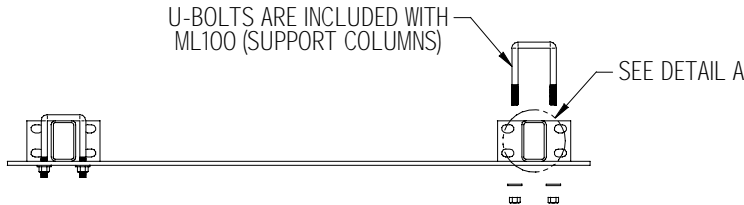
**\* ADA REQUIREMENT  
NOTE - AFTER INSTALLATION, THREADED RODS MAY NEED TO BE TRIMMED**

# MPW201

**When using mounting plate with ML100 (Support Columns) please refer to the diagrams shown below. For electrical, waste, and water supply locations please refer to the Installation/Owners manual.**



**DETAIL A**



\* ADA REQUIREMENT

\*\* WITH STANDARD STUD LENGTH OF 6 INCHES.

NOTE - AFTER INSTALLATION, U-BOLTS AND THREADED RODS MAY NEED TO BE TRIMMED

REPAIR SERVICE INFORMATION CALL TOLL FREE NUMBER 1.800.260.6640