

## SPECIFICATIONS

### GENERAL

Highest quality. Sink bowls are seamlessly drawn of #18 gauge, type 304 (18-8) nickel bearing stainless steel. Self-rimming.

### DESIGN FEATURES

Bowl Depths: 7-1/2" (Large Bowl), 6" (Waste Bowl).

Coved Corners: 1-3/4" vertical and horizontal radius.

Finish: Exposed surfaces are hand blended to a lustrous high-lighted satin finish.

Underside: Fully undercoated to prevent condensation and deaden sound.

### OTHER

Drain Opening: 3-1/2".

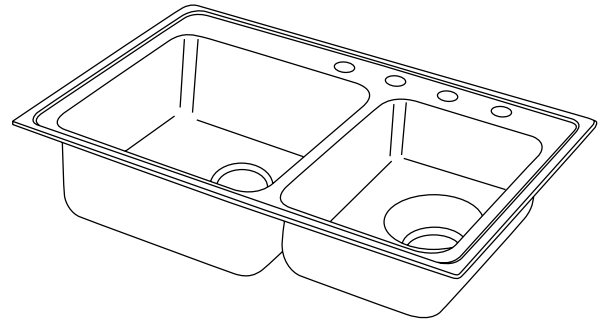
Faucet Holes: Available with 1, 2, 3, 4 or 5, 1-1/2" diameter faucet holes. 4" center.

Suffix "L" (left) or "R" (right) denotes waste disposer drain opening located in left or right bowl.

### OPTIONAL ACCESSORIES

Rinsing Baskets: VB1816 and LKRB1611.

Cutting Boards: CB1713, CBC1714 and CBT1713.



Model LWR3322R4

These sinks comply with ANSI Standard A112.19.3M.

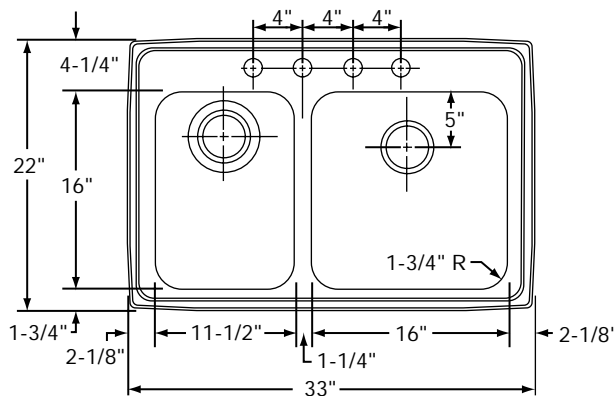


These sinks are listed by the International Association of Plumbing and Mechanical Officials as meeting the requirements of the Uniform Plumbing Code.

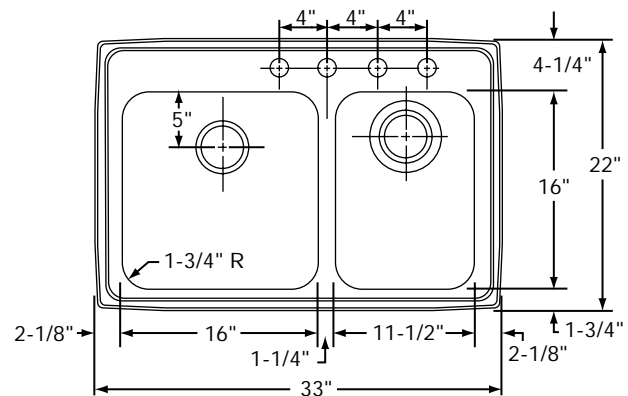
### SINK DIMENSIONS (INCHES)\*

Model Number	Overall		Inside Left Bowl			Inside Right Bowl			Cutout in Countertop (1 1/2" Radius Corners)		Minimum Cabinet Size	Ship. Wt. Lbs.
	L	W	L	W	D	L	W	D	L	W		
LWR3322L	33	22	11 1/2	16	6	16	16	7 1/2	32 3/8	21 3/8	36	21
LWR3322R	33	22	16	16	7 1/2	11 1/2	16	6	32 3/8	21 3/8	36	21

\*Length is left to right. Width is front to back.



Model LWR3322L4 Illustrated



Model LWR3322R4 Illustrated

ALL DIMENSIONS IN INCHES, TO CONVERT TO MILLIMETERS MULTIPLY BY 25.4.

In keeping with our policy of continuing product improvement, Elkay reserves the right to change product specifications without notice.

This specification describes an Elkay product with design, quality and functional benefits to the user. When making a comparison of other producers' offerings, be certain these features are not overlooked.