

# ELKAY® SPECIFICATIONS

## Hands-Free® Sensor-Activated Wall Mount Water Cooler Filtered with LED Visual Filter Monitor Model LZO8 and LZOD

RATED FOR INDOOR USE ONLY

### PRODUCT SPECIFICATION

Self-contained, wall mount sensor-activated electric water cooler. Refrigerated LZO8 models offer a chilling capacity of 8 gallons per hour of 50°F drinking water, based upon 80°F inlet water and 90°F ambient. Models LZOD are non-refrigerated. Shall include the WaterSentry® VII 1500-gallon capacity filter, certified to NSF/ANSI 42 and 53 with LED visual filter monitor. Unit shall meet ADA guidelines. Unit shall be lead-free design which is certified to NSF/ANSI 61 and 372 and meets Federal and State low-lead requirements. Unit shall be certified to UL399 and CAN/CSA 22.2 No. 120.

Models LZOD are non-refrigerated. Requires outlet for power cord.

### STANDARD FEATURES

- Hands-Free® sensor operation with 30-second auto shut-off and adjustable sensor range
- WaterSentry® VII 1500-gallon capacity Filtration System, certified to NSF/ANSI 42 & 53 (Lead, Class 1 Particulate, Chlorine, Taste & Odor)
- Visual Filter monitor advises when filter replacement is necessary and helps maintain that users always have the best filtered water available to them. Features a three light system of Green, Red and Yellow indicators.
- Extra deep basin minimizes splashing; with integral drain
- Exclusive Flexi-Guard® Safety bubbler
- Cooler panel finishes: Light Gray Granite Vinyl Clad Steel or Stainless Steel
- Valve with built-in flow regulator to provide constant stream from 20 to 105 psi water pressure
- Rated for Indoor use

### COOLING SYSTEM (Models LZO8 only)

- Compressor: Hermetically-sealed, reciprocating type, single phase. Sealed-in lifetime lubrication.
- Condenser: Fan cooled, copper tube with aluminum fins. Fan motor is permanently lubricated.
- Cooling Unit: Combination tube-tank type. Self-cleaning. Continuous copper tubing with stainless steel tank. Fully insulated with EPS foam that meets UL requirements for self-extinguishing material.
- Refrigerant Control: Refrigerant R134a is controlled by accurately calibrated capillary tube.
- Temperature Control: Easily accessible enclosed adjustable thermostat is factory preset. Requires no adjustment other than for altitude requirements.






### CONSTRUCTION

- Electronic Hands-Free® operation: On-off solenoid valve is actuated by an infrared light beam sensor. When light beam is interrupted by user in front of cooler, the sensor actuates to begin water dispensing. A built-in time delay is provided to prevent actuation by passerby traffic.
- Fountain Top: One piece stainless steel top, polished to a uniform Elkay satin luster finish
- Frame: Galvanized steel chassis support
- Exclusive Flexi-Guard® Safety bubbler: Innovative design utilizes an infused anti-microbial pliable polyester elastomer to prevent accidental mouth injuries. Flexes on impact.
- Upper Shroud: Contoured shock-absorbing provides additional protection against accidental injury. No exposed fasteners.
- Removable Wrapper: One-piece design offers easy accessibility to interior.
- Cooler cabinet available as Light Gray Granite Vinyl Clad Steel or Stainless Steel (additional cost) construction

### REPLACEMENT FILTER:

- 51299C (single)

**Warranty:** 5 year limited warranty on the unit's refrigeration system. Electrical components and water system are warranted for 12 months from date of installation or 18 months from factory shipment, whichever date falls first.

CAPACITIES CHART								 C USA	
Model	Voltage / Hertz	Chilling** Capacity	F.L. Amps	Rated Watts	Approx. Ship Wt.	UL399 and CAN/CSA 22.2 No. 120 Certified	ADA COMPLIANT	ANSI/NSF 61 and 372 Certified	NSF/ANSI 42 and 53 Certified (Filter only)
LZO8*	115V / 60Hz	8 GPH	4.0	370	54 lbs.	•	•	•	•
LZO8*2JO	220V / 50Hz	6.7 GPH	2.0	370	54 lbs.	++	•	•	•
LZO8*3JO	220V / 60Hz	8 GPH	2.2	370	54 lbs.	++	•	•	•
LZOD*	—	—	—	—	28 lbs.	•	•	•	•

\*Color code of (L) Light Gray Granite or (S) Stainless Steel cooler wrapper.

\*\*Based on 80°F inlet water & 90°F ambient air temp for 50°F chilled drinking water.

++Complies; not third party certified.

*This specification describes an Elkay product with design, quality and functional benefits to the user. When making a comparison of other producer's offerings, be certain these features are not overlooked.*

In keeping with our policy of continuing product improvement, Elkay reserves the right to change specification without notice. Please visit [elkay.com](http://elkay.com) for the most current version.

2222 Camden Court  
Oak Brook, IL 60523  
630-572-3192  
elkay.com

© 2016 Elkay  
SPEC08-25 (01/2016)

**Hands-Free® Sensor-Activated Wall Mount Water Cooler**  
**Filtered with LED Visual Filter Monitor**  
**Model LZ08 and LZ0D**

**ELKAY®**  
**ROUGH-IN DIMENSIONS**

RATED FOR INDOOR USE ONLY

Open space rough-in design permits new installation or replacement of existing fountains and coolers with this Elkay cooler when rough-in is within the outline shown.

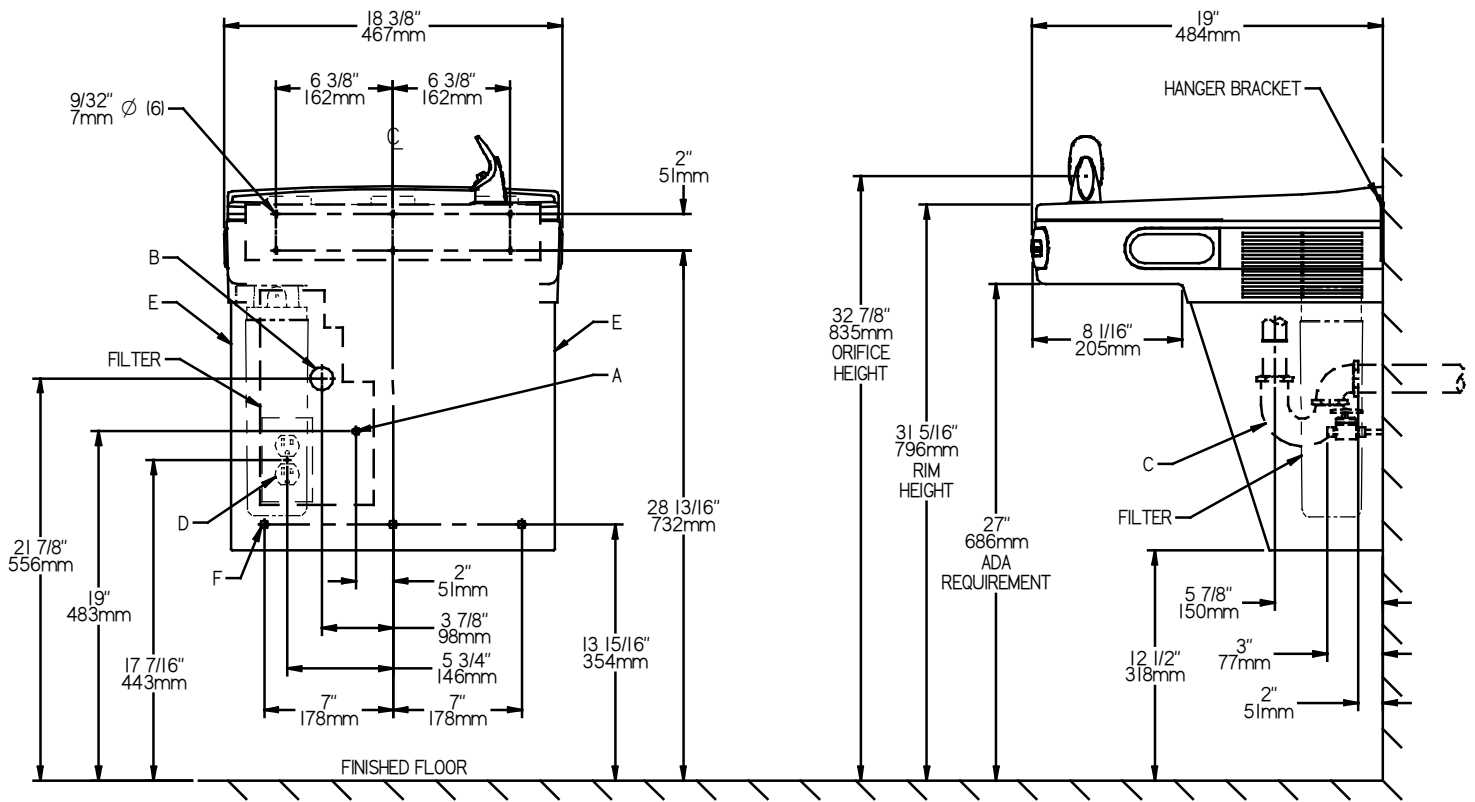
**IMPORTANT! INSTALLER PLEASE NOTE:**

This water cooler has been designed and built to provide water to the user which has not been altered by materials in the cooler waterways.

The grounding of electrical equipment such as telephone, computers, etc to water lines is a common procedure. This grounding may be in the building or occur away from the building. This grounding can cause electrical feedback into a water cooler creating an electrolysis which creates a metallic taste or causes an increase in the metal content of the water. This condition is avoidable by installing the cooler using the proper materials as shown below.

**NOTICE**

This water cooler must be connected to the water supply using a dielectric coupling. The cooler is furnished with a non-metallic strainer which meets this requirement. The drain trap, which is provided by the installer, should also be plastic to completely isolate the cooler from the building plumbing system.



REDUCE HEIGHT BY 3 INCHES FOR INSTALLATION OF CHILDRENS ADA COOLER

**LEGEND:**

- A = Recommended Water Supply location. Shut-off Valve (not furnished) to accept 3/8" O.D. unplated copper tube. Up to 3" (76mm) maximum out from wall.
- B = Recommended Waste Outlet location. To accommodate 1-1/4" nominal drain. Drain stub 2" (51mm) out from wall.
- C = 1-1/4" Trap (not furnished).
- D = Electrical Supply (3) Wire Recessed Box Duplex Outlet.
- E = Insure proper ventilation by maintaining 6" (152mm) minimum clearance from cabinet louvers to wall.
- F = 7/16" (11mm) Bolt Holes for fastening to wall.

NOTE: New Installations Must Use Ground Fault Circuit Interrupter (GFCI)

Job Name: _____	
Model: _____	Qty. _____
Contact: _____	
Approval Signature: _____	
Notes: _____	