

PRODUCT SPECIFICATIONS

Gourmet (Lustertone®) Stainless Steel Double Bowl Top Mount Quick-Clip® Sink. Overall dimensions are 33" x 21-1/4" x 4". Sink is manufactured from 18 gauge 304 Stainless Steel with a Lustrous Highlighted Satin finish, Rear Center drain placement and Full spray sides and bottom.

| | |
|------------------------------|-------------------------------------|
| Installation Type: | Top Mount |
| Material: | 304 Stainless Steel |
| Special Features: | Quick-Clip Mounting System |
| Finish: | Lustrous Highlighted Satin |
| Gauge: | 18 |
| Sound Deadening: | Full spray sides and bottom |
| Number of Bowls: | 2 |
| Sink Dimensions: | 33" x 21-1/4" x 4" |
| Bowl 1 Dimensions: | 13-1/2" x 16" x 3-7/8" |
| Bowl 2 Dimensions: | 13-1/2" x 16" x 3-7/8" |
| Drain Size: | 3-1/2" (89mm) |
| Drain Location: | Rear Center |
| Minimum Cabinet Size: | 36" |
| Mounting Hardware: | Included for 3/4" (19mm) countertop |
| Cutout Template #: | 1000001288 |

Template is available for download at [elkay.com](#)

Cutout Dimensions for Top Mount Installation:

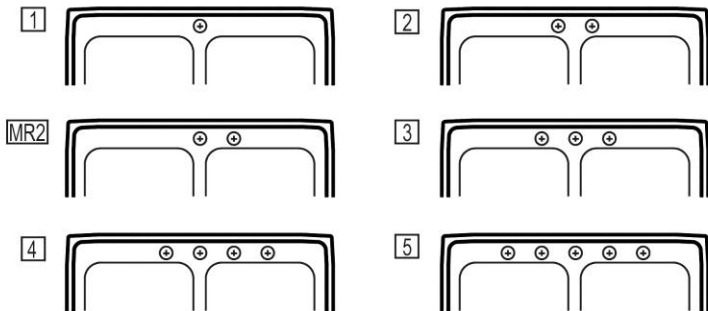
32-3/8" x 20-5/8" (822mm x 524mm) with 1-1/2" (38mm) corner radius



This sink is compliant to ADA and ANSI/ICC A117.1 accessibility requirements when installed according to the requirements outlined in these standards.

Hole Drilling Configurations:

1-1/2" (38mm) Diameter Faucet Holes on 4" (102mm) Centers



AMERICAN PRIDE. A LIFETIME TRADITION.

Like your family, the Elkay family has values and traditions that endure. For almost a century, Elkay has been a family-owned and operated company, providing thousands of jobs that support our families and communities.



Sinks are listed by IAPMO® as meeting the applicable requirements of the Uniform Plumbing Code®, International Plumbing Code®, and National Plumbing Code of Canada.

Product Compliance:

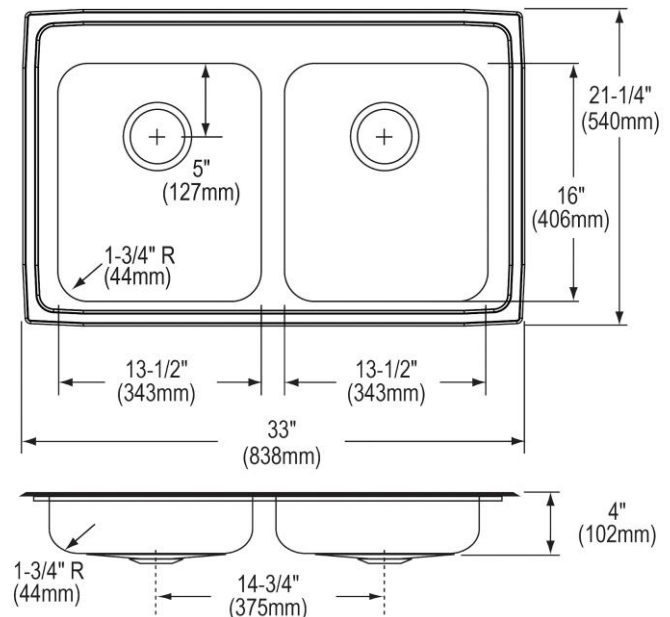
- ADA
- BUY AMERICAN ACT
- ASME A112.19.3/CSA B45.4

[Clean and Care Manual \(PDF\)](#)

[Installation Instructions \(PDF\)](#)

[Limited Lifetime Warranty \(PDF\)](#)

Similar models are available with: additional ADA depths, U Channel mounting system



PART: _____ QTY: _____

PROJECT: _____

CONTACT: _____

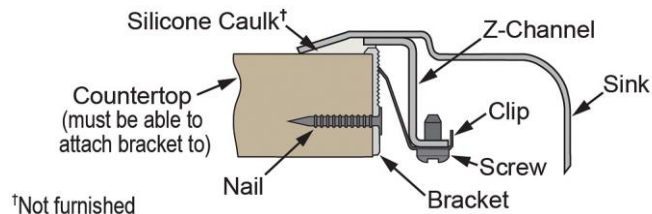
DATE: _____

NOTES: _____

APPROVAL: _____

In keeping with our policy of continuing product improvement, Elkay reserves the right to change product specifications without notice. Please visit [elkay.com](#) for the most current version of Elkay product specification sheets. This specification describes an Elkay product with design, quality, and functional benefits to the user. When making a comparison of other producers' offerings, be certain these features are not overlooked.

Installation Profile:



*Not furnished

OPTIONAL ACCESSORIES

| | |
|------------------------|---------------------------------------|
| Bottom Grid: | LKWOBG1316SS |
| Cutting Board: | CB1613, CB1713, CBR1316, CBS1316 |
| Drain: | LK99, LKAD35 |
| Faucet: | LKGT1041, LKGT2041 |
| Rinsing Basket: | LKWRB1316SS, LKWERBSS |
| Sinkmate: | LKSM17, LKSMHOOK, LKSMSPONGE, LKSMHSL |
| Soap Dispenser: | LKGT1054 |

In keeping with our policy of continuing product improvement, Elkay reserves the right to change product specifications without notice. Please visit elkay.com for the most current version of Elkay product specification sheets. This specification describes an Elkay product with design, quality, and functional benefits to the user. When making a comparison of other producers' offerings, be certain these features are not overlooked.