

# ELKAY<sup>®</sup>

## SPECIFICATIONS

### Commercial Faucet Model LK406HA10T6 Deck Mount 4" Center High Arc 10"

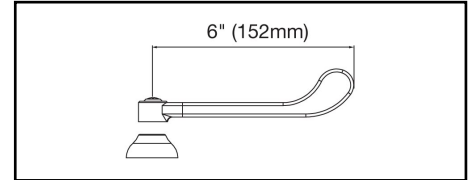
#### GENERAL FEATURES

- Quarter turn ceramic disc cartridge
- Solid brass construction
- Chrome finish
- Replacement cartridge A70001 for cold
- Replacement cartridge A70002 for hot
- Includes spout swing restriction pin

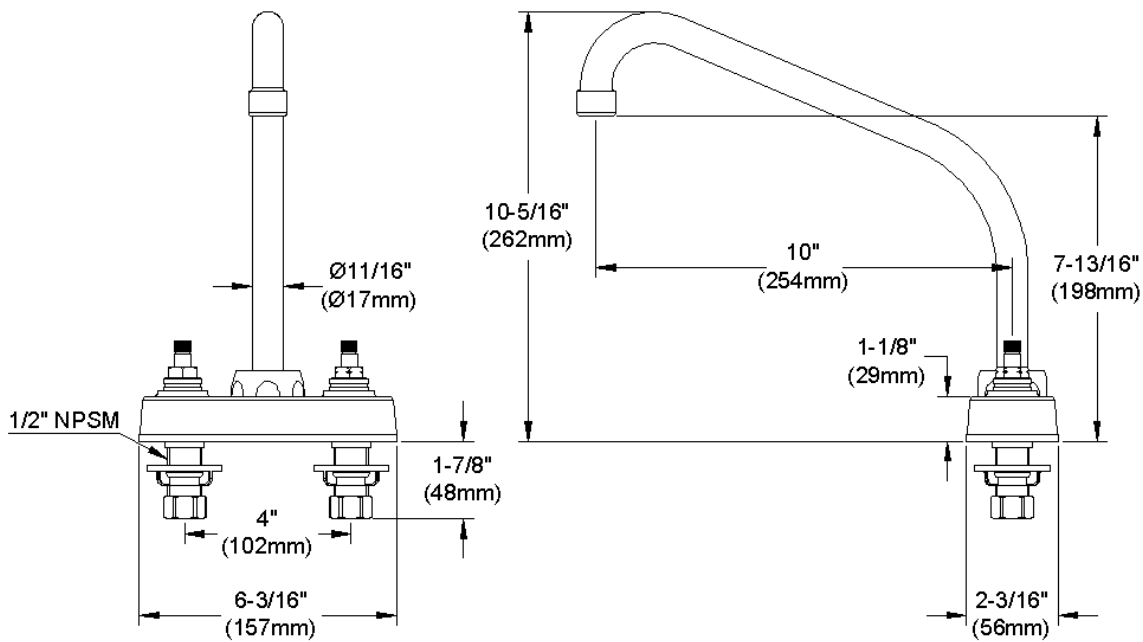
#### COMPLIES WITH:

- ASME/ANSI A112.18.1
- CSA B125-01
- NSF/ANSI 61
- ADA
- UPC/CUPC
- IAPMO Listed

Wristblade Handle 6 inch, Two Piece



Replacement Handle A55388  
Replacement Escutcheon A55390



**FRONT VIEW**

(shown less handles)

**SIDE VIEW**

<b>Job Name:</b>	<b>Item #:</b>
<b>Notes:</b>	
<b>Architect/Engineer Approval:</b>	<b>Date: 10/18/2005</b>

For warranty information go to [www.elkayusa.com](http://www.elkayusa.com)