

Dual Handle Laundry Faucet Models LKA2480, LK2490 and LK2490BH


ELKAY®

SPECIFICATIONS


GENERAL

LKA2480 Dual Clear Crystalac handles. Deck-mounted stainless steel escutcheon with 5-1/2" tubular swing spout threaded for hose attachment, finished in gleaming chrome plate. Removable Diacore cartridges. All operating parts are replaceable from above deck. Requires 2 faucet holes on 4" centers. Ship. Wt. 2 lbs.

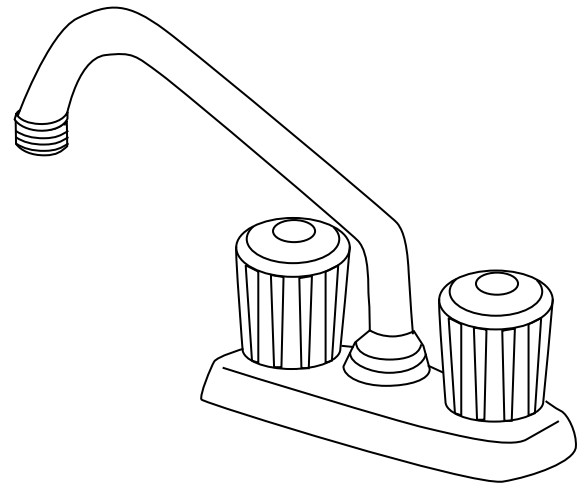
LK2490 Same as **LKA2480** except with chrome plated lever handles. Ship. Wt. 2 lbs.

 This faucet is ADA compliant.

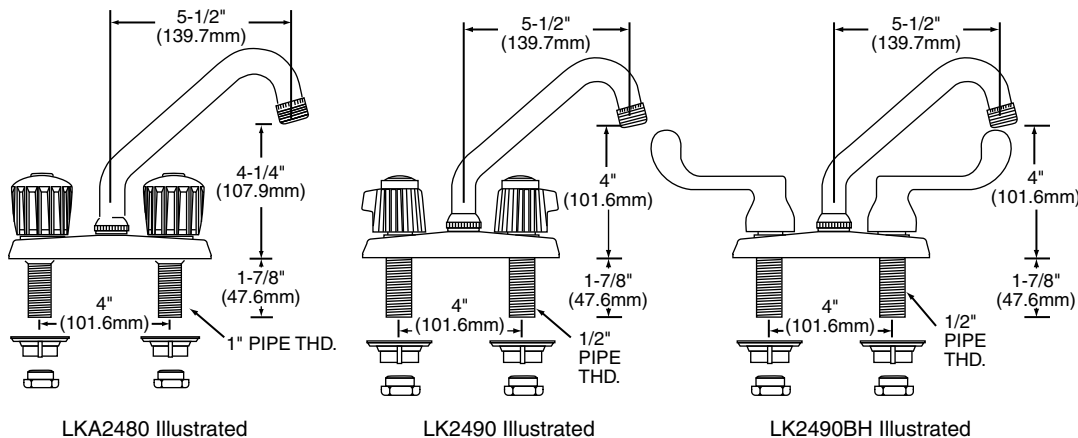
LK2490BH Same as **LKA2480** except with 4" blade handles and metal stem diacore cartridge. Ship. Wt. 2-3/4 lbs.

 This faucet is ADA compliant.

 These faucets are classified by Underwriters Laboratories Inc. to **ANSI/NSF61** for residential use.



Model LKA2480



CARTRIDGE

Maintenance-free, drip-free washerless cartridge that is completely self-contained and easily removable.

A simple cam-activated movement of the diaphragm controls the flow of water with a feather-lite touch. Full **off** to full **on** with a 150° turn. No springs. No wearing action and no moving parts exposed to water.

ELKAY FAUCET/WATER DISPENSERS LIMITED WARRANTY

Elkay warrants its faucet and water dispensers to be free of defects in workmanship and material for a period of one year from the date of purchase. Replacement parts are available from Elkay for a nominal charge. Upon return of a defective part to Elkay during the warranty period with written notice of the claimed defect, Elkay will refund the replacement charge.

WASTE FITTINGS AND ACCESSORIES ARE NOT WARRANTED; OTHER WARRANTY CONDITIONS:

Our warranty does not cover product failure caused by abusive treatment, misuse, or damage due to handling or faulty installations. This warranty is extended only to the original consumer purchaser of the product. This warranty does not cover shipping costs, labor costs, or any other charges for such items as installation or replacement of the sink, diagnosis or replacement of any faucet or component part, or any other expense or loss.

ALL INCIDENTAL OR CONSEQUENTIAL DAMAGES ARE SPECIFICALLY EXCLUDED. NO ADDITIONAL WARRANTIES, EXPRESS OR IMPLIED, ARE GIVEN. ANY IMPLIED WARRANTY, INCLUDING ONE OF MERCHANTABILITY OR FITNESS FOR A PARTICULAR PURPOSE, IS LIMITED TO THE DURATION OF THIS WRITTEN WARRANTY.

Some states do not allow the exclusion or limitation of incidental or consequential damages or limitations on how long an implied warranty lasts, so the above limitations or exclusions may not apply to you.

This warranty gives you specific legal rights, and you may also have other rights which vary from state to state.

TO OBTAIN SERVICE UNDER WARRANTY

- Write to: Elkay Manufacturing Company
Attention: Consumer Service
2222 Camden Court
Oak Brook, Illinois 60523
- Include a letter containing the following information:
 - Date of purchase and installation
 - Description of nature of defect
 - Model number or description of model and/or component part if possible.

Elkay Manufacturing Company

www.elkay.com

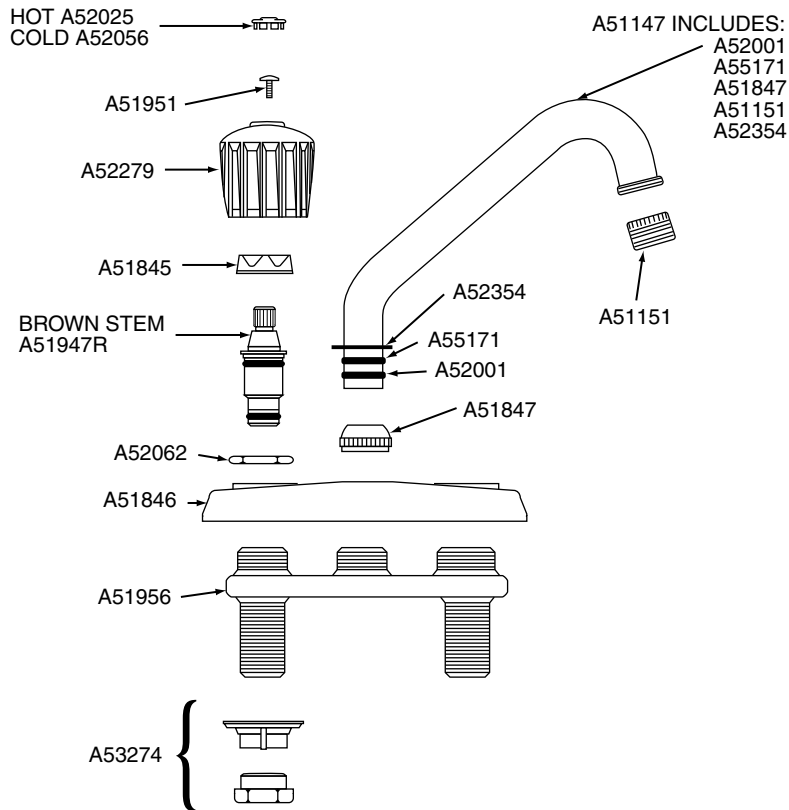
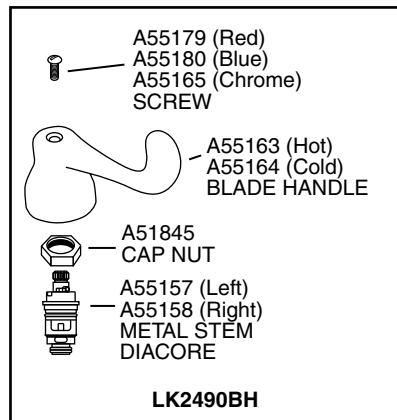
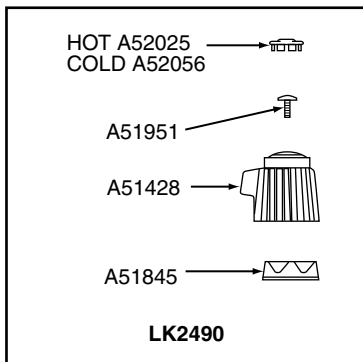
2222 Camden Court
Oak Brook, IL 60523

A51148 (Rev. G)

Printed in U.S.A.
©2002 Elkay Mfg. Co.

(Rev. 4/02) 5-30G

PARTS LIST



PARTS FOR LKA2480 / LK2490 / LK2490BH

PART NUMBER	PART DESCRIPTION	PART NUMBER	PART DESCRIPTION
A51151	Spout End	A52025	Plug Button (Hot)
A51147	Spout (incl. A52001, A51983, A51847, A51151, A52354)	A52056	Plug Button (Cold)
A51428	Chrome Plated Handle	A52062	Nut (2)
A51845	Cap Nut (2)	A52279	Crystalac Handles (2) (Clear)
A51846	Escutcheon	A52354	Brass Washer
A51847	Spout Nut	A53274	Mounting Hardware (1 Bag)
A51947R	Diacore Cartridge (Brown Stem) – (2) Handle Turns Counterclockwise to Open	A55157	Metal Stem Diacore (left)
A51951	Handle Screw	A55158	Metal Stem Diacore (right)
A51956	Body	A55163	Blade Handle (Hot)
A55171	Retaining Ring	A55164	Blade Handle (Cold)
A52001	"O" Ring	A55165	Screw (Chrome)
		A55179	Screw (Red)
		A55180	Screw (Blue)

Warning: Blade handles must only be used with A55157 and A55158 Metal Stem Diacore Cartridges.