

# ELKAY<sup>®</sup>

## SPECIFICATIONS

### Commercial Faucet Model LK945GN05L2T Wall Mount 3"-8" Adjustable Centers Gooseneck 5"

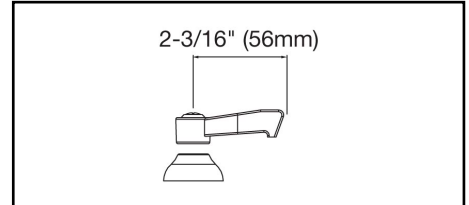
#### GENERAL FEATURES

- Quarter turn ceramic disc cartridge
- Solid brass construction
- Chrome finish
- Replacement cartridge A70001 for cold
- Replacement cartridge A70002 for hot
- Includes spout swing restriction pin
- 2" offset for adjustable installation, 1/2" NPT Female Inlets

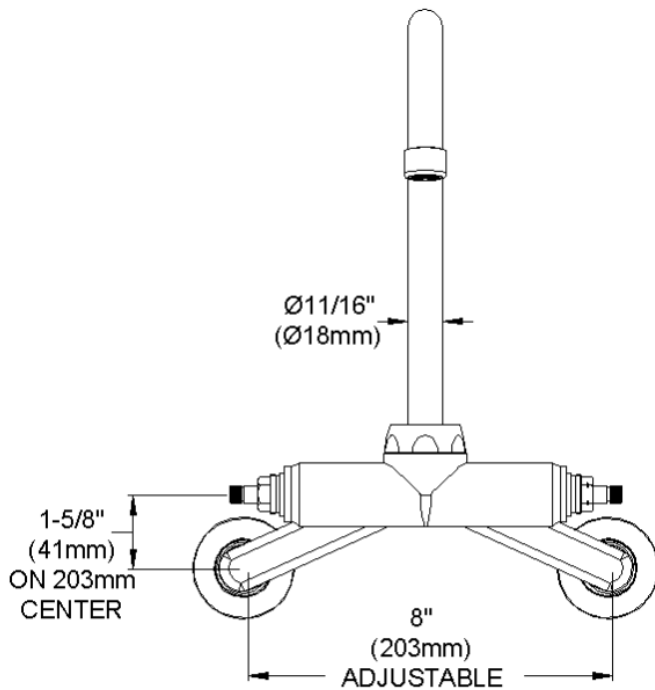
#### COMPLIES WITH:

- ASME/ANSI A112.18.1
- CSA B125-01
- NSF/ANSI 61
- ADA
- UPC/CUPC
- IAPMO Listed

Lever Handle 2 inch, Two Piece

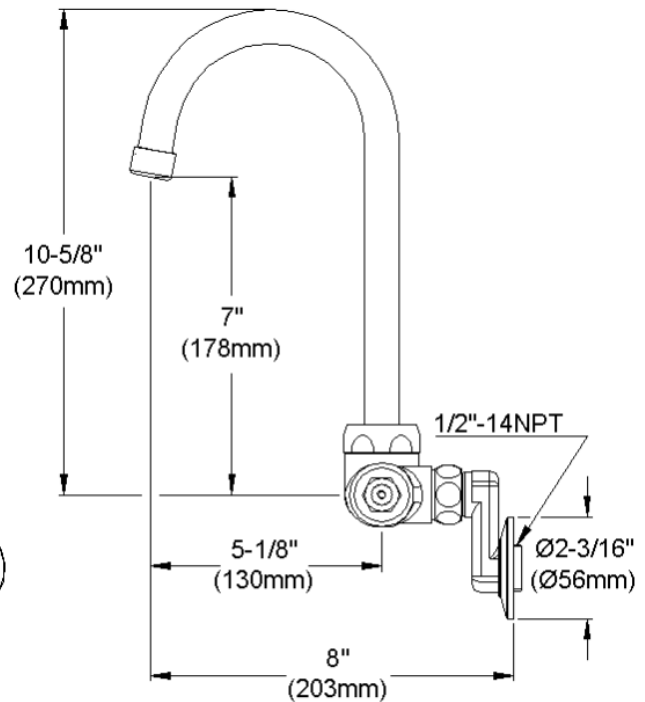


Replacement Handle A55385  
Replacement Escutcheon A55391



**FRONT VIEW**

(shown less handles)



**SIDE VIEW**

<b>Job Name:</b>	<b>Item #:</b>
<b>Notes:</b>	
<b>Architect/Engineer Approval:</b>	<b>Date: 10/17/2005</b>

For warranty information go to [www.elkayusa.com](http://www.elkayusa.com)