

### PRODUCT SPECIFICATIONS

Elkay Push Button Bubbler. Overall dimensions are 1-7/16" x 2-3/8" x 4-3/4". Made of Chrome-plated Brass.

<b>Material:</b>	Chrome-plated Brass
<b>Finish:</b>	Chrome (CR)
<b>Dimensions:</b>	1-7/16" x 2-3/8" x 4-3/4"
<b>Shipping Weight:</b>	1 lbs.

**Special Note:** For use with Elkay EDF214WC ,DRKR, EDF15R, EFWC16 models.

- Push-button valve bubbler designed so that water never comes in contact with lead-containing materials.
- Built-in adjustable water volume control which regulates flow from 20 psi to 105 psi.
- Heavy chrome-plated body with a 3/8" (10 mm) NPT connection.
- Requires one 1-1/2" (38 mm) or 1-1/4" (32 mm) faucet hole.

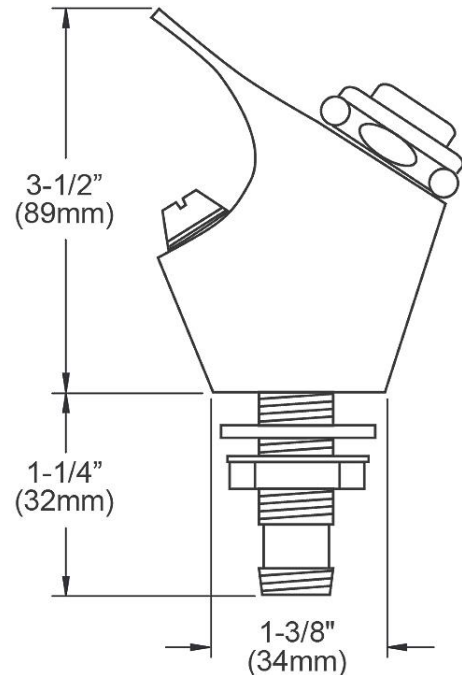


**Included with Product: Complete Bubbler Assembly**

AMERICAN PRIDE. A LIFETIME TRADITION. Like your family, the Elkay family has values and traditions that endure. For almost a century, Elkay has been a family-owned and operated company, providing thousands of jobs that support our families and communities.



**Product Compliance:** ASME A112.18.1/CSA B125.1  
NSF 61  
NSF 372 (lead free)



PART: \_\_\_\_\_ QTY: \_\_\_\_\_

PROJECT: \_\_\_\_\_

CONTACT: \_\_\_\_\_

DATE: \_\_\_\_\_

NOTES: \_\_\_\_\_

APPROVAL: \_\_\_\_\_

*In keeping with our policy of continuing product improvement, Elkay reserves the right to change product specifications without notice. Please visit [elkay.com](http://elkay.com) for the most current version of Elkay product specification sheets. This specification describes an Elkay product with design, quality, and functional benefits to the user. When making a comparison of other producers' offerings, be certain these features are not overlooked.*