

# ELKAY<sup>®</sup>

## SPECIFICATIONS

### Commercial Faucet Model LK535GN04L2 Deck Mount Single Hole Gooseneck 4"

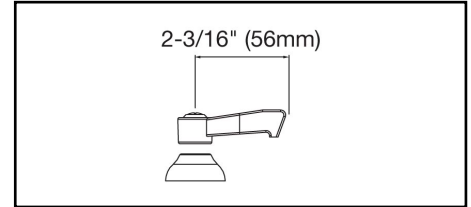
#### GENERAL FEATURES

- Quarter turn ceramic disc cartridge
- Solid brass construction
- Chrome finish
- Replacement cartridge A70001 for cold
- Includes spout swing restriction pin
- Single control

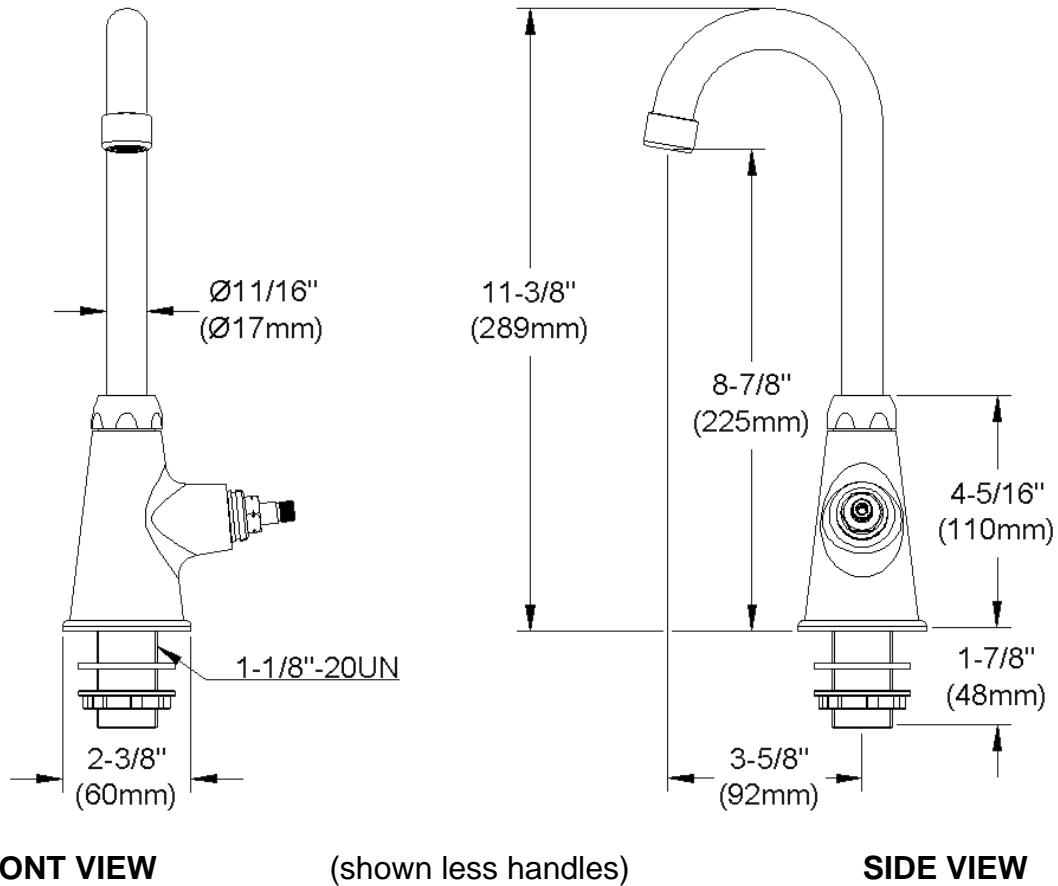
#### COMPLIES WITH:

- ASME/ANSI A112.18.1
- CSA B125-01
- NSF/ANSI 61
- ADA
- UPC/CUPC
- IAPMO Listed

Lever Handle 2 inch, Two Piece



Replacement Handle A55385  
Replacement Escutcheon A55391



|                                     |                         |
|-------------------------------------|-------------------------|
| <b>Job Name:</b>                    | <b>Item #:</b>          |
| <b>Notes:</b>                       |                         |
| <b>Architect/Engineer Approval:</b> | <b>Date:</b> 10/21/2005 |

For warranty information go to [www.elkayusa.com](http://www.elkayusa.com)