

ELKAY®

SPECIFICATIONS

Non-Refrigerated Water Cooler

Wall-Mount Models EWDA(L,S,T)

RATED FOR INDOOR USE ONLY

GENERAL

Self-contained, non-refrigerated, wall hung water cooler. Shall deliver non-chilled drinking water. Non-pressurized tank system is standard. Non-pressurized water tank is located after bubbler valve, so that tank is subject to line pressure only when valve button is pressed. Unit shall be lead-free design which is certified to NSF/ANSI 61 and 372 and meets Federal and State low-lead requirements. Unit shall be certified to UL399 and CAN/CSA 22.2 No. 120.

STANDARD FEATURES



- Removable front panel offers easy accessibility to interior
- Extra deep basin minimizes splashing; with integral drain
- Exclusive Flexi-Guard® Safety bubbler
- Cooler Panel Finish options: Impact-resistant vinyl coating or stainless steel
- Rated for Indoor use

Warranty: 5 year limited warranty on the unit's refrigeration system. Electrical components and water system are warranted for 12 months from date of installation or 18 months from factory shipment, whichever date falls first.



CONSTRUCTION

- Stainless Steel basin with integral drain
- Galvanized structural steel cooler chassis provides structural integrity
- Cooler cabinet available in Light Gray Granite (L), Sandalwood (T), or Stainless Steel (S) Panels
- Exclusive Flexi-Guard® Safety Bubbler utilizes an infused anti-microbial pliable polyester elastomer to prevent accidental mouth injuries. Flexes on impact.
- Cabinet design allows for flush to wall mounting

CAPACITIES CHART						
Model	Chilling** Capacity	F.L. Amps	Rated Watts	Approx. Ship Wt.	UL399 and CAN/CSA 22.2 No. 120 Certified	NSF/ANSI 61 and 372 Certified
EWDA*	Not Applicable	–	–	44 lbs.	•	•
† EWDALF	Not Applicable	–	–	44 lbs.	*	*

* Color code of (L) Light Gray Granite, (S) Stainless Steel, or (T) Sandalwood cooler wrapper.

† Glass filler available at extra cost. Require factory preparation to receive glass filler

This specification describes an Elkay product with design, quality and functional benefits to the user. When making a comparison of other producer's offerings, be certain these features are not overlooked.

Non-Refrigerated Water Cooler

Wall-Mount Models EWDA(L,S,T)

ELKAY®

ROUGH-IN DIMENSIONS

Open space rough-in design permits new installation or replacement of existing fountains and coolers with this Elkay cooler when rough-in is within the outline shown.

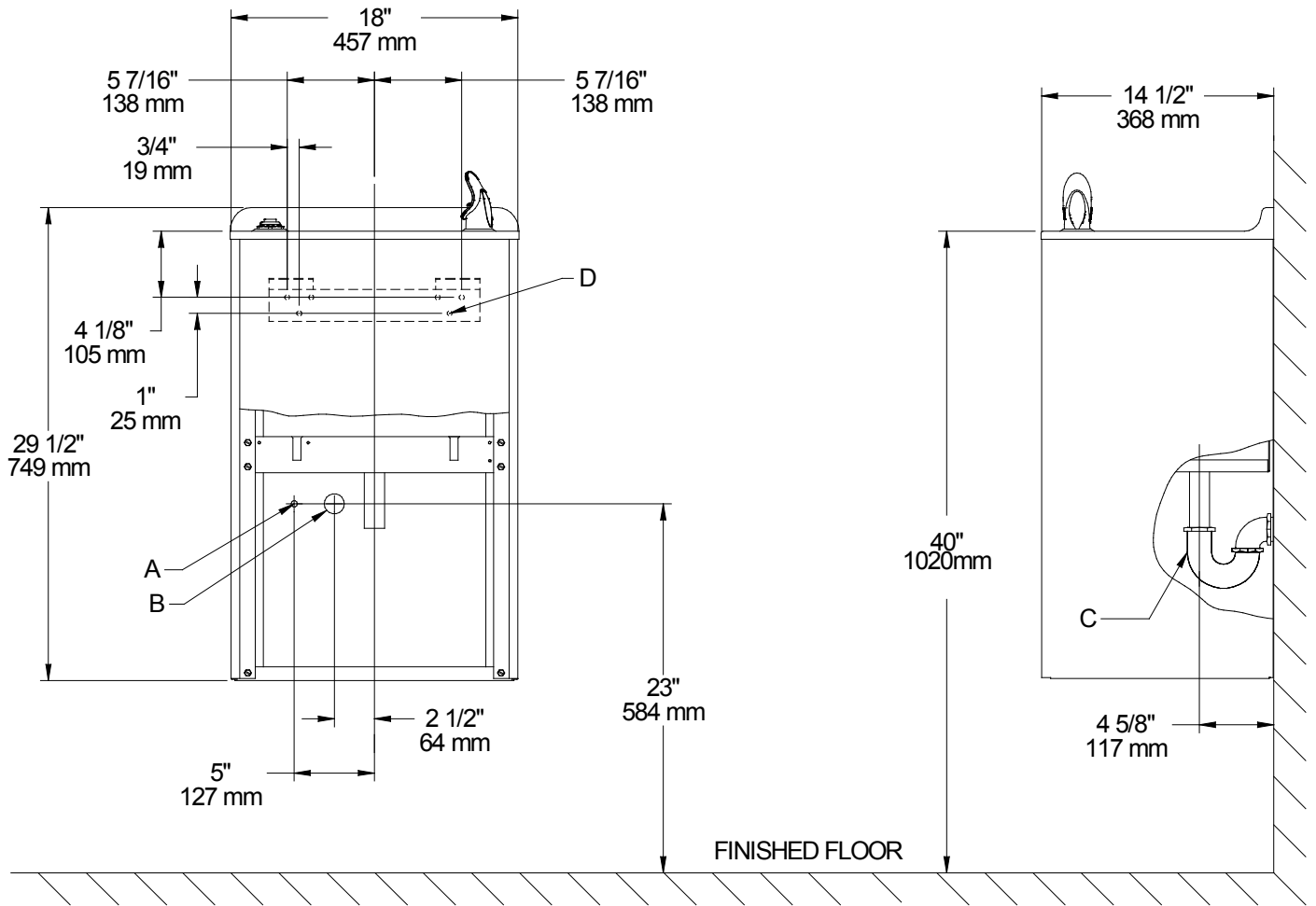
RATED FOR INDOOR USE ONLY

IMPORTANT! INSTALLER PLEASE NOTE:

This water cooler has been designed and built to provide water to the user which has not been altered by materials in the cooler waterways.

NOTICE

This water cooler must be connected to the water supply using a dielectric coupling. The cooler is furnished with a non-metallic strainer which meets this requirement. The drain trap, which is provided by the installer, should also be plastic to completely isolate the cooler from the building plumbing system.



- LEGEND**
 A = RECOMMENDED WATER SUPPLY LOCATION 3/8 O.D. UNPLATED COPPER TUBE
 CONNECT STUB OUT 1-1/2 IN. (38mm) FROM WALL SHUT OFF BY OTHERS
 B = RECOMMENDED LOCATION FOR WASTE OUTLET 1-1/4" O.D. DRAIN
 C = 1-1/4 TRAP NOT FURNISHED
 D = 5/16" (8mm) SCREW HOLES IN MOUNTING PLATE

Job Name: _____
 Model: _____ Qty. _____
 Contact: _____
 Approval Signature: _____
 Notes: _____